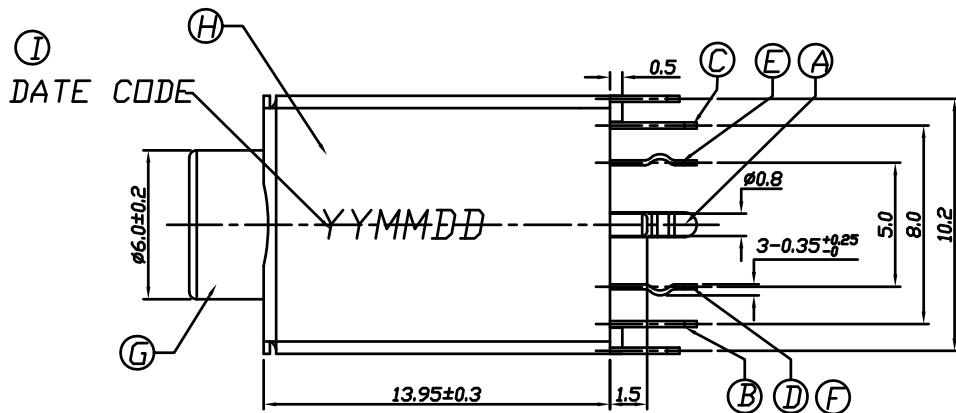


REV.	ECN NO OR DESCRIPTION	REVISED	DATE
A	PDR RELEASE	Even	2013.05.22
B	ECN NO:L130142	IVY-C	2013.12.25



SPECIFICATIONS:

- ELECTRICAL CHARACTERISTICS:
 - CONTACT RESISTANCE: 30mΩ MAX.
 - INSULATION RESISTANCE: 100MΩ MIN. @ 500V DC.
 - DIELECTRIC WITHSTANDING VOLTAGE: 500V AC FOR 1 MINUTE.
- MECHANICAL CHARACTERISTICS:
 - INSERTION FORCE: 0.4~3.0Kgf.
 - WITHDRAWAL FORCE: 0.3~3.0Kgf.
- LIFE TEST: 5,000 CYCLES.
- OTHER GENERAL SPEC. TO REFER "2SJ3057-100111F SPEC".
- TO CONFORM TO THE SINGATRON HAZARDOUS SUBSTANCE FREE SPEC.
- HALOGEN FREE PRODUCT IDENTIFICATION LABEL ON PACKAGING:
- PACKAGE: SEE "2SJ3057 SERIES" PACKAGE.
- FOR REFLOW SOLDERING LEAD-FREE PROCESS.

PART NO.

2SJ3057-100111F

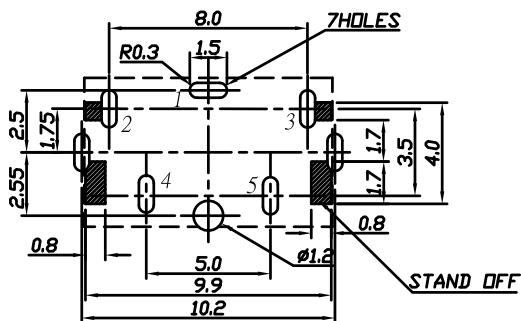
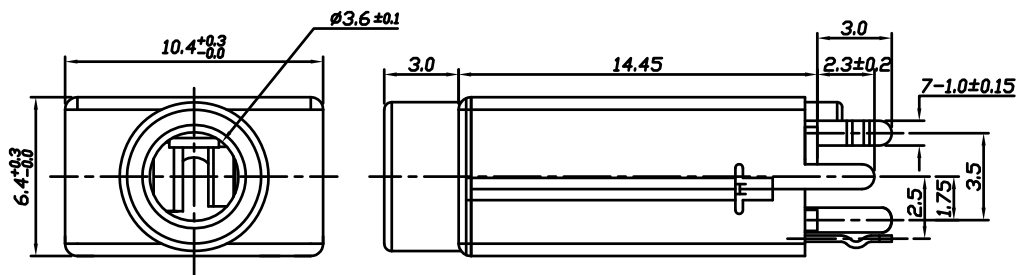
SHELL PIN LENGTH
1: 2.3mm

SUFFIX: HALOGEN FREE

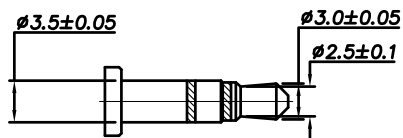
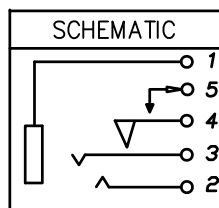
PACKAGE
1: TRAY

HOUSING COLOR
1: BLACK

CONTACT PLATING
1: MATTE TIN 120u" OVER 50u" NICKEL MIN.



T:1.6 Dimensions of PC board holes
Tolerance : ±0.05(Printed-top view)
MARKED :STAND OFF AREA



RECOMMENDED MATING 0.35mm PLUG

NO	DESCRIPTION	QTY	MATERIAL	PLATING & COLOR
I	INK	-	INK	BLACK
H	SHELL	1	STAINLESS STEEL,t=0.25	NICKEL
G	HOUSING	1	PA10T ,UL 94V-0	BLACK
F	INSULATOR	1	HI-TEMP PLASTIC,UL 94V-0	BLACK
E	BREAK TERMINAL	1	COPPER ALLOY,t=0.25	SEE PART NO.
D	TRANSFER TERMINAL	1	COPPER ALLOY,t=0.20	SEE PART NO.
C	RING TERMINAL	1	COPPER ALLOY,t=0.20	SEE PART NO.
B	TIP TERMINAL	1	COPPER ALLOY,t=0.25	SEE PART NO.
A	EARTH TERMINAL	1	COPPER ALLOY,t=0.25	SEE PART NO.

UNLESS OTHERWISE SPECIFIED TOLERANCES

Singatron Enterprise Co., Ltd.
信音企業股份有限公司

DECIMALS:	ANGLES:	TITLE	0.35mm MINIATURE JACK		
X :±0.5	X :±°	DWN	IVY-C 2013.12.25	PART NO. 2SJ3057-100111F	
X.X :±0.3	X.X :±1°	CHKD	SCALE 1:1	UNIT: mm	
X.XX :±0.2		APVD	ANGELA2013.12.25	SIZE: A3	SHEET:1 OF 1 REV: B

CUSTOMER COPY