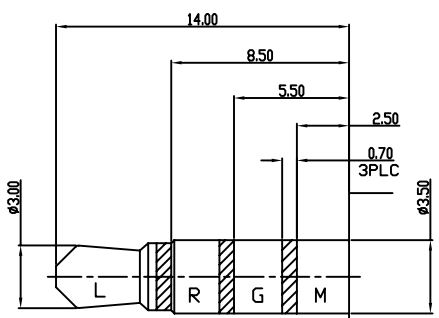
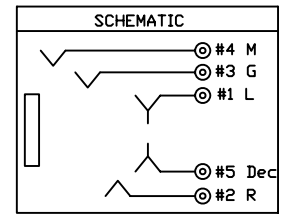
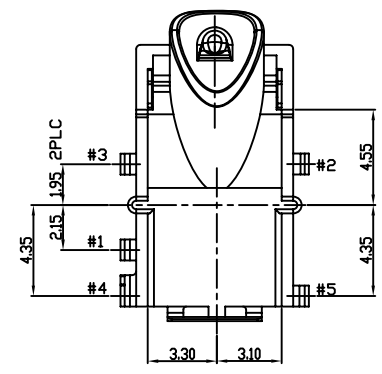
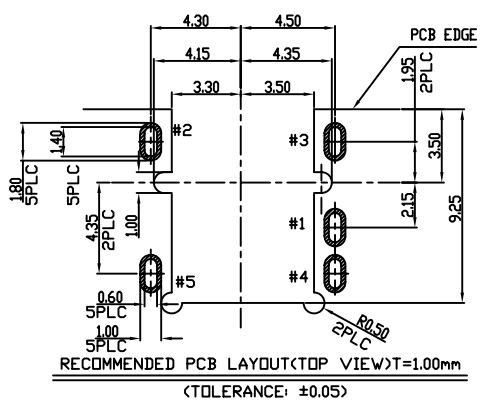
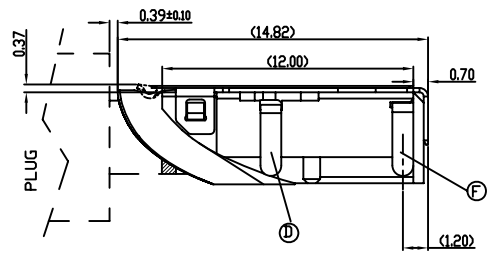
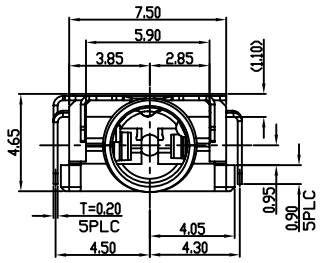
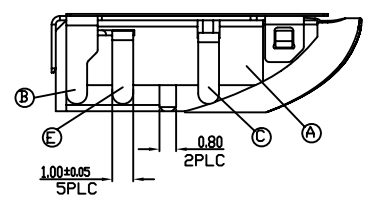
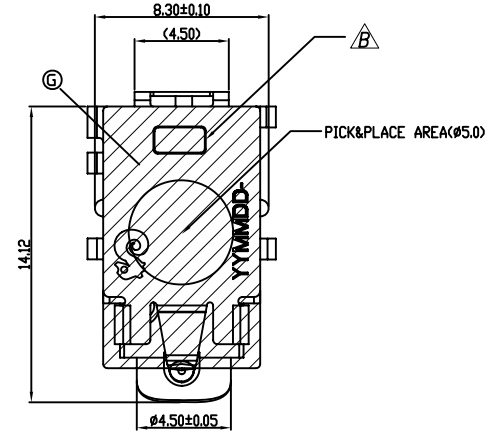


REV.	ECN NO OR DESCRIPTION	REVISED	DATE
A	PDR NO: T111019-1A	jie-xiao	2012.03.05
B	ECN NO: S120331 B	jie-xiao	2012.03.13

- SPECIFICATIONS:
- INSULATION RESISTANCE BETWEEN ANY ADJACENT OPEN CIRCUIT TERMINAL SHELL NOT BE LESS THAN 100MΩ MEASURED BY 500 VDC MEGGER.
 - CONTACT RESISTANCE: 50mΩ MAX.
 - INSULATION VOLTAGE WITHSTAND: 500V AC FOR ONE MINUTE. UNLESS OTHERWISE SPECIFIED. TEST IS TO BE MADE AT 5-35°C IN TEMPERATURE AND 45-85% IN HUMIDITY. BUT, IF ANY VAGUE DATA IS OCCURED ON TEST RESULT, ANOTHER TEST SHALL BE MADE AT 20°C±2°C IN TEMP., 60-70% IN HUMIDITY.
 - LIFE TEST: 5,000 CYCLES MIN.
 - INSERTION FORCE: 0.3 - 3Kg.
 - WITHDRAWAL FORCE: 0.3 - 2Kg.
 - AFTER LIFE TEST, CONTACT RESISTANCE: 60mΩ MAX.
 - AFTER HUMIDITY TEST, INSULATION RESISTANCE: 50MΩ MIN.
 - MARKING: MARK 'S' ON TOP OF CONNECTOR.
 - PACKING: TAPE & REEL.
 - TO CONFORM TO SINGATRON HAZARDOUS SUBSTANCE FREE SPEC.
 - HALOGEN FREE PRODUCT IDENTIFICATION MARK ON PRODUCT.
 - HALOGEN FREE PRODUCT IDENTIFICATION LOGO ON PACKING.



RECOMMENDED PLUG
4-POLE(±0.05)



G	MYLAR	1	KAPTON	YELLOW
F	TIP-B	1	PHOSPHOR BRONZE 0.2t	GOLD FLASH OVER 50u" NICKEL PLATING.
E	TIP-A	1	PHOSPHOR BRONZE 0.2t	GOLD FLASH ON CONTACT AREA;
D	RING-A	1	PHOSPHOR BRONZE 0.2t	MATTE TIN 120u" SOLDER TAIL AREA;
C	RING-B	1	PHOSPHOR BRONZE 0.2t	ALL OVER 50u" NICKEL PLATING.
B	EARTH	1	PHOSPHOR BRONZE 0.2t	Ni 50u" Min.
A	BODY	1	HIGH TEMP.THERMOPLASTIC UL 94V-0	BLACK (PLATING In)
NO	DESCRIPTION	QTY	MATERIAL	PLATING & COLOR

UNLESS OTHERWISE SPECIFIED TOLERANCES		Singatron Enterprise Co., Ltd. 信音企業股份有限公司		
DECIMALS:	ANGLES:	TITLE	Ø3.50 AUDIO JACK	
X : ±0.5	X : ±2°	DWN	jie-xiao	PART NO. 2SJ3059-004111F
X.X : ±0.3	X.X : ±1°	CHKD	Bruce	SCALE:4:1 UNIT: mm
X.XX : ±0.2		APVD	Lussen	SIZE: A3 SHEET:1 OF 1 REV: B
CUSTOMER COPY				