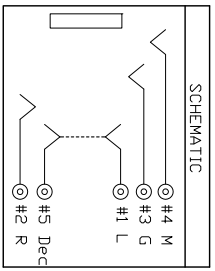
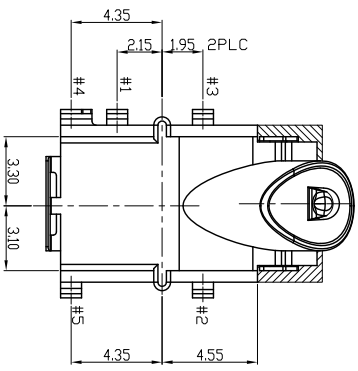
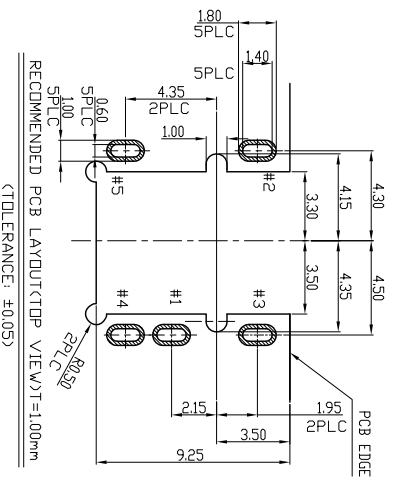
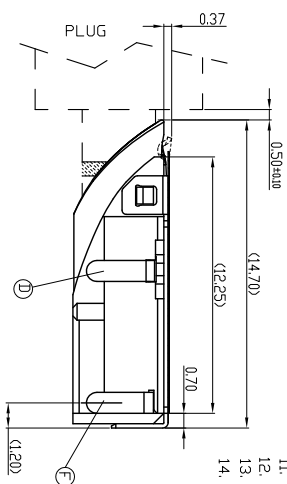
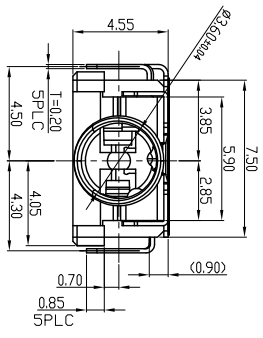
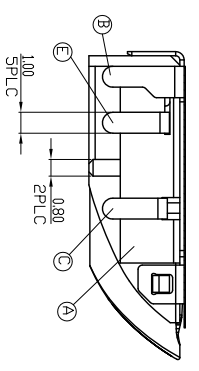
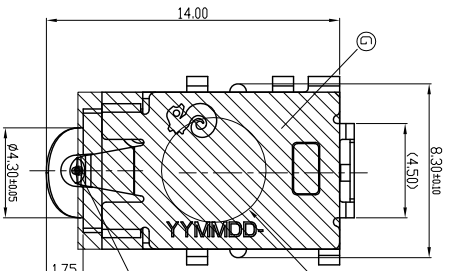


RECOMMENDED PLUG
4-POLE(±0.05)



REV.	ECN NO OR DESCRIPTION	REVISED	DATE
A	PDR NO. T120109-1A	HM-JIANG	2012.02.16
B	ECN NO.S120343 (Update drawing)	HM-JIANG	2012.03.19
C	ECN NO. S130722	Angus	2013.07.27

- SPECIFICATIONS:
- INSULATION RESISTANCE BETWEEN ANY ADJACENT OPEN CIRCUIT TERMINAL SHELL NOT BE LESS THAN 100MΩ MEASURED BY 500 VDC MEGGER.
 - CONTACT RESISTANCE: 50mΩ MAX.
 - INSULATION VOLTAGE WITHSTAND:500V AC FOR ONE MINUTE.
 - UNLESS OTHERWISE SPECIFIED: TEST IS TO BE MADE AT 5-35°C IN TEMPERATURE AND 45-85% IN HUMIDITY. BUT IF ANY VAGUE DATA IS OCCURED ON TEST RESULT, ANOTHER TEST SHALL BE MADE AT 20°C±2°C IN TEMP, 60-70% IN HUMIDITY.
 - LIFE TEST: 5000 CYCLES MIN.
 - INSERTION FORCE: 0.3 - 3kgf.
 - WITHDRAWAL FORCE: 0.3 - 3kgf.
 - AFTER LIFE TEST, CONTACT RESISTANCE: 60mΩ MAX.
 - AFTER HUMIDITY TEST, INSULATION RESISTANCE: 50MΩ MIN.
 - MARKING MARK: ON TOP OF CONNECTOR.
 - PACKING : TAPE & REEL.
 - TO CONFORM TO SINGATRON HAZARDOUS SUBSTANCE FREE SPEC.
 - TO CONFORM TO PRODUCT IDENTIFICATION MARK ON PRODUCT:
 - HALOGEN FREE PRODUCT IDENTIFICATION LOGO ON PACKING:
 - HALOGEN FREE PRODUCT IDENTIFICATION LOGO ON PACKING:

G	MYLAR	1	YELLOW	N/A
F	TIP-B	1	PHOSPHOR BRONZE 0.2t	
E	TIP-A	1	PHOSPHOR BRONZE 0.2t	COLD FLASH OVER NICKET 50μ MIN. PLATING
D	RING-A	1	PHOSPHOR BRONZE 0.2t	COLD FLASH ON CONTACT AREA. MATTE TIN 120μ MIN. ON SOLDER TAIL
C	RING-B	1	PHOSPHOR BRONZE 0.2t	4μ OVER NICKET 50μ MIN. PLATING.
B	EARTH	1	PHOSPHOR BRONZE 0.2t	NICKET 50μ MIN.
A	BODY	1	HIGH TEMP.THERMOPLASTIC	BLACK
NO	DESCRIPTION	QTY	MATERIAL	PLATING & COLOR
	UNLESS OTHERWISE SPECIFIED TOLERANCES		Singatron Enterprise Co., Ltd. 信音企業股份有限公司	
	DECIMALS:	ANGLES:	ø3.50 AUDIO JACK	
X	:±0.5	X	:±2°	
X.X	:±0.3	X.X	:±1°	
X.XX	:±0.2			
	TITLE		DWN Angus PART NO. 2SMJ3059-016111F CHKD Cerry SCALE:4:1 UNIT: mm APVD Mgx SIZE: A3 SHEET: 1 OF 1 REV: C	
	CUSTOMER COPY			