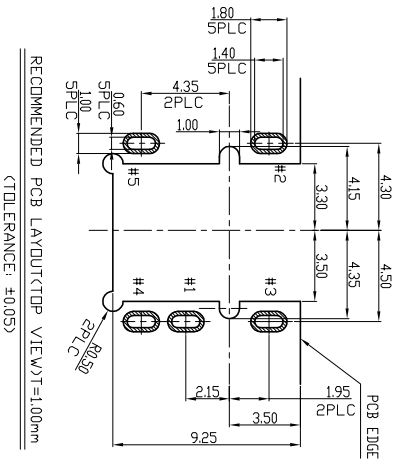
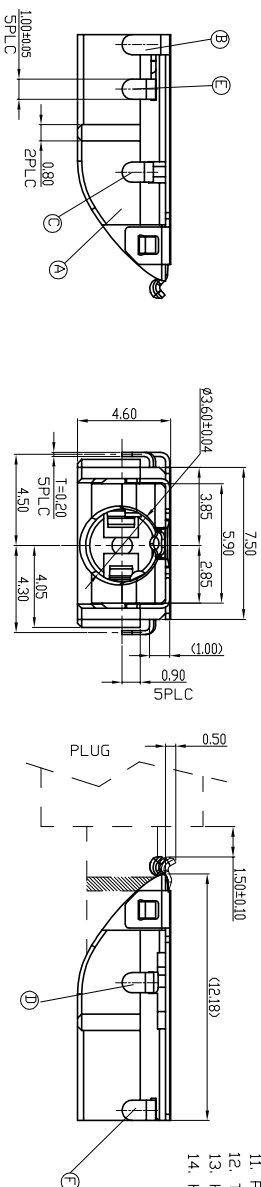
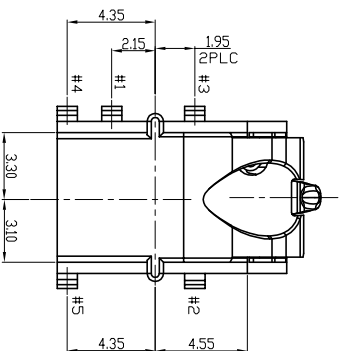


RECOMMENDED PLUG
4-POLE(±0.05)



RECOMMENDED PCB LAYOUT(TOP VIEW)T=1.00mm
(TOLERANCE: ±0.05)



REV.	ECN NO. OR DESCRIPTION	REVISED	DATE
A	PDR NO:1120607-4A	jie-xiao	2012.07.04
B	ECN NO:S120727	Angus	2012.08.13

- SPECIFICATIONS:
- INSULATION RESISTANCE BETWEEN ANY ADJACENT OPEN CIRCUIT TERMINAL SHELL NOT BE LESS THAN 100MΩ MEASURED BY 500 VDC MEGGER.
 - CONTACT RESISTANCE: 50mΩ MAX.
 - INSULATION VOLTAGE WITHSTAND:500V AC FOR ONE MINUTE.
 - UNLESS OTHERWISE SPECIFIED, TEST IS TO BE MADE AT 5-35°C IN TEMPERATURE AND 45-85% IN HUMIDITY, BUT IF ANY VAGUE DATA IS OCCURED ON TEST RESULT, ANOTHER TEST SHALL BE MADE AT 20°C±2°C IN TEMP., 60-70% IN HUMIDITY.
 - LIFE TEST: 5,000 CYCLES MIN.
 - INSERTION FORCE: 0.3 - 3kgf.
 - WITHDRAWAL FORCE: 0.3 - 2kgf.
 - AFTER LIFE TEST, CONTACT RESISTANCE: 60mΩ MAX.
 - AFTER HUMIDITY TEST, INSULATION RESISTANCE: 50mΩ MIN.
 - MARKING: MARK "S" ON TOP OF CONNECTOR.
 - PACKING : TAPE & REEL.
 - TO CONFORM TO SINGATRON HAZARDOUS SUBSTANCE FREE SPEC.
 - HALOGEN FREE PRODUCT IDENTIFICATION MARK ON JACK.
 - HALOGEN FREE PRODUCT IDENTIFICATION LABEL ON PACKAGING.

NO	DESCRIPTION	QTY	MATERIAL	PLATING & COLOR
C	MYLAR	1	YELLOW	N/A
F	TIP-B	1	PHOSPHOR BRONZE 0.2t	
E	TIP-A	1	PHOSPHOR BRONZE 0.2t	GOLD FLASH OVER 50μ" NICKEL PLATING
D	RING-A	1	PHOSPHOR BRONZE 0.2t	GOLD FLASH ON CONTACT AREA, WHITE TIN 120μ" SOLDER TAIL AREA
C	RING-B	1	PHOSPHOR BRONZE 0.2t	ALL OVER 50μ" NICKEL PLATING.
B	EARTH	1	PHOSPHOR BRONZE 0.2t	Ni 50μ" Min.
A	BODY	1	HIGH TEMP. THERMOPLASTIC PA10T UL94V-0	BLACK
NO	DESCRIPTION	QTY	MATERIAL	PLATING & COLOR

UNLESS OTHERWISE SPECIFIED TOLERANCES

DECIMALS:	ANGLES:	TITLE
X :±0.5	X :±2°	DWN Angus
X.X :±0.3	X.X :±1'	CHKD Tom
X.XX :±0.2		APVD Quan

PART NO. 2S13059-023111F
SCALE:4:1 UNIT: mm
SIZE: A3 SHEET: 1 OF 1 REV: B
CUSTOMER COPY

Singatron Enterprise Co., Ltd.
信晉企業股份有限公司