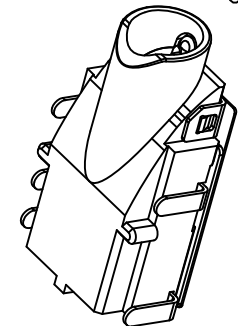
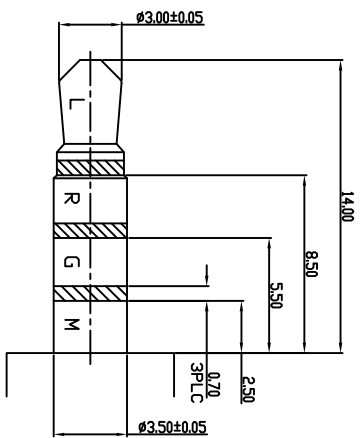


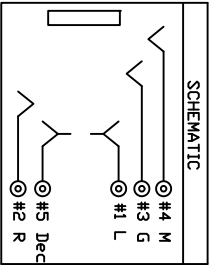
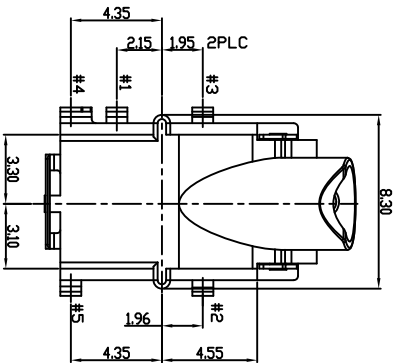
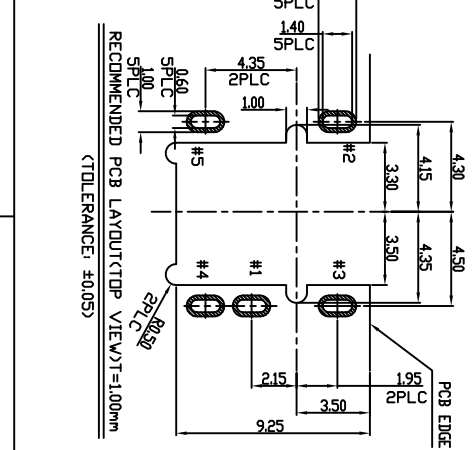
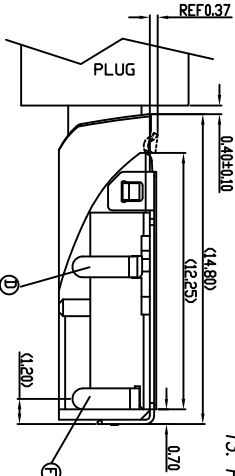
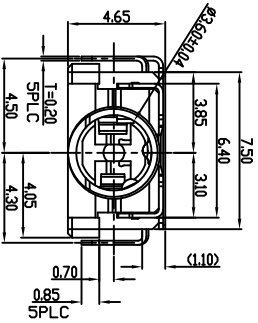
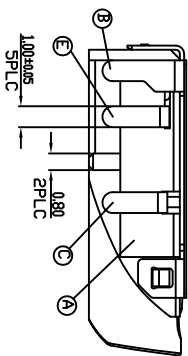
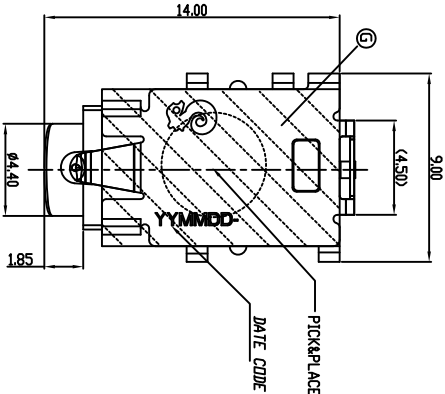
REV.	ECN NO OR DESCRIPTION	REVISED	DATE
A	PDR NO: T130411-3A	ROBIN	2013.07.17



- REFERENCES:
REF0.37
- SPECIFICATIONS:
- INSULATION RESISTANCE BETWEEN ANY ADJACENT OPEN CIRCUIT TERMINAL SHELL NOT BE LESS THAN 100MΩ MEASURED BY 500V DC.
 - CONTACT RESISTANCE: 50mΩ MAX(INITIAL).
 - INSULATION VOLTAGE WITHSTAND:500V AC FOR ONE MINUTE.
 - LIFE TEST: 5,000 CYCLES.
 - INSERTION FORCE: 0.3-3.0kgf.
 - WITHDRAWAL FORCE: 0.3-3.0 kgf.
 - AFTER LIFE TEST, CONTACT RESISTANCE: 50MΩ MAX.
 - AFTER HUMIDITY TEST, INSULATION RESISTANCE: 50MΩ MIN.
 - MARKING: MARK "S" ON BOTTOM OF CONNECTOR.
 - PACKING : TAPE & REEL.
 - TO CONFORM TO SINGATRON HAZARDOUS SUBSTANCE FREE SPEC.
 - HALOGEN FREE PRODUCT IDENTIFICATION MARK ON PRODUCT:
 - HALOGEN FREE PRODUCT IDENTIFICATION LOGO ON PACKAGING:



RECOMMENDED PLUG
4-POLE(±0.05)



NO	DESCRIPTION	QTY	MATERIAL	PLATING & COLOR
A	BODY	1	HIGH TEMP.THERMOPLASTIC	BLACK
UL	94V-0			

NO	DESCRIPTION	QTY	MATERIAL	PLATING & COLOR
G	MYLAR	1	YELLOW	N/A
F	TIP-B	1	PHOSPHOR BRONZE 0.2T	Gold flash over 50μ Nickel plating.
E	TIP-A	1	PHOSPHOR BRONZE 0.2T	Gold flash on contact area.
D	RING-A	1	PHOSPHOR BRONZE 0.2T	WAVE Tm 120μ solder tail area
C	RING-B	1	PHOSPHOR BRONZE 0.2T	ALL OVER 50μ Nickel plating.
B	EARTH	1	PHOSPHOR BRONZE 0.2T	Ni 50μ Min.

UNLESS OTHERWISE SPECIFIED TOLERANCES			
DECIMALS:	ANGLES:	TITLE	
X : ±0.5	X : ±2°	DWN	ROBIN
X.X : ±0.3	X.X : ±1'	CHKD	Brice
X.XX : ±0.2		APVD	Lussen

Singatron Enterprise Co., Ltd.
信音企業股份有限公司
PART NO. 2SJ3059-036111F
SCALE:4:1
UNIT: mm
SIZE: A3
SHEET: 1 OF 1
REV: A

CUSTOMER COPY