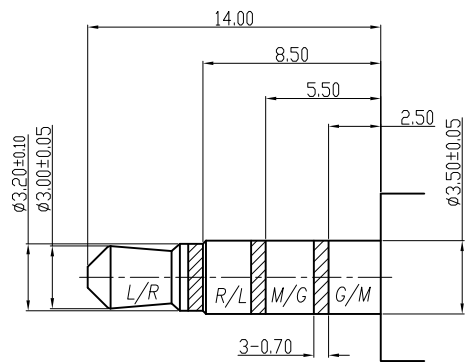
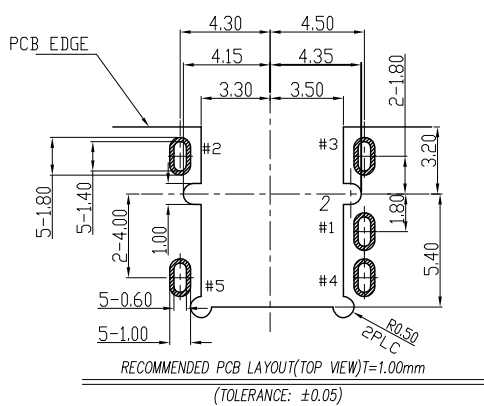
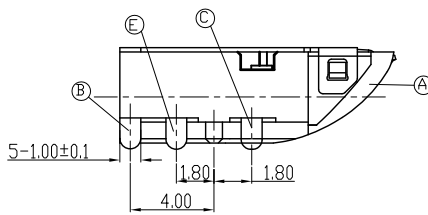
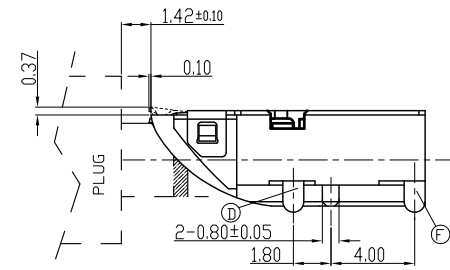
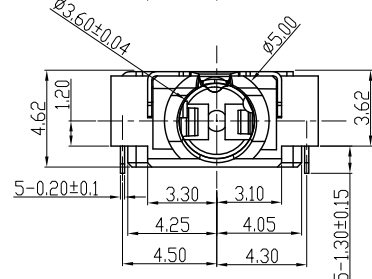
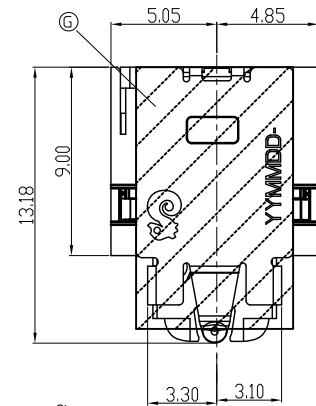


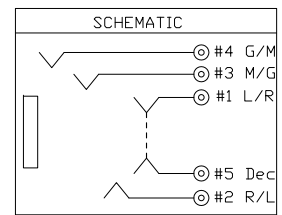
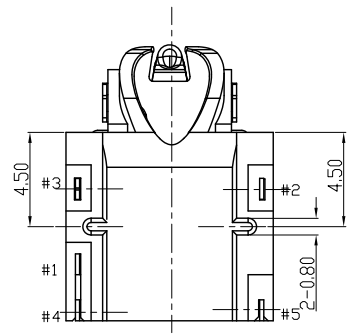
REV.	ECN NO OR DESCRIPTION	REVISED	DATE
A	PDR NO. T130625-1A	MARS	2013.09.22



RECOMMENDED PLUG
4-POLE(±0.05)



RECOMMENDED PCB LAYOUT(TOP VIEW)T=1.00mm
(TOLERANCE: ±0.05)



SPECIFICATIONS:

- INSULATION RESISTANCE BETWEEN ANY ADJACENT OPEN CIRCUIT TERMINAL SHELL NOT BE LESS THAN 100MΩ MEASURED BY 500 VDC.
- CONTACT RESISTANCE: 50mΩ MAX.
- INSULATION VOLTAGE WITHSTAND: 500V AC FOR ONE MINUTE.
- UNLESS OTHERWISE SPECIFIED. TEST IS TO BE MADE AT 5-35°C IN TEMPERATURE AND 45-85% IN HUMIDITY. BUT, IF ANY VAGUE DATA IS OCCURED ON TEST RESULT, ANOTHER TEST SHALL BE MADE AT 20°C±2°C IN TEMP., 60-70% IN HUMIDITY.
- LIFE TEST: 5,000 CYCLES MIN.
- INSERTION FORCE: 0.3 - 3Kg.
- WITHDRAWAL FORCE: 0.3 - 3Kg.
- AFTER TEST, CONTACT RESISTANCE: 80mΩ MAX.
- AFTER HUMIDITY TEST, INSULATION RESISTANCE: 50MΩ MIN.
- MARKING: MARK "S" ON TOP OF CONNECTOR.
- PACKAGING : TAPE & REEL.
- TO CONFORM TO SINGATRON HAZARDOUS SUBSTANCE FREE SPEC.
- HALOGEN FREE PRODUCT IDENTIFICATION MARK ON PRODUCT:
- HALOGEN FREE PRODUCT IDENTIFICATION LOGO ON PACKING:

G	MYLAR	1	YELLOW	N/A
F	TIP-B	1	PHOSPHOR BRONZE 0.2t	GOLD FLASH ON CONTACT AREA GOLD FLASH ON SOLDER TAIL ALL OVER NICKET 50u"MIN. PLATING.
E	TIP-A	1	SUS 304 1/2H 0.2t	Au 3u" MIN ON CONTACT AREA; GOLD FLASH OVER ALL ALL OVER 50u"IN NICKET PLATING.
D	RING-A	1	PHOSPHOR BRONZE 0.2t	GOLD FLASH ON CONTACT AREA, MATTE TIN 80u"MIN. ON SOLDER TAIL, ALL OVER NICKET 50u"MIN. PLATING.
C	RING-B	1	PHOSPHOR BRONZE 0.2t	ALL OVER NICKET 50u"MIN. PLATING.
B	EARTH	1	PHOSPHOR BRONZE 0.2t	NICKET 50u" Min.
A	BODY	1	HIGH TEMP.THERMOPLASTIC UL 94V-0	BLACK
NO	DESCRIPTION	QTY	MATERIAL	PLATING & COLOR

UNLESS OTHERWISE SPECIFIED TOLERANCES

Singatron Enterprise Co., Ltd.
 信音企業股份有限公司

DECIMALS:	ANGLES:	TITLE	Ø3.50 AUDIO JACK		
X : ±0.5	X : ±2°	DWN MARS	PART NO. 2SJ3059-038111F		
X.X : ±0.3	X.X : ±1°	CHKD BRUCE	SCALE: 4:1	UNIT: mm	
X.XX : ±0.2		APVD LUSSEN	SIZE: A3	SHEET: 1 OF 1	REV: A
CUSTOMER COPY					