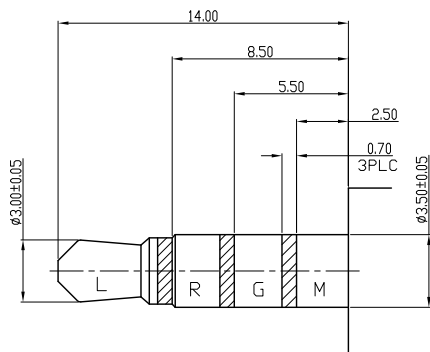
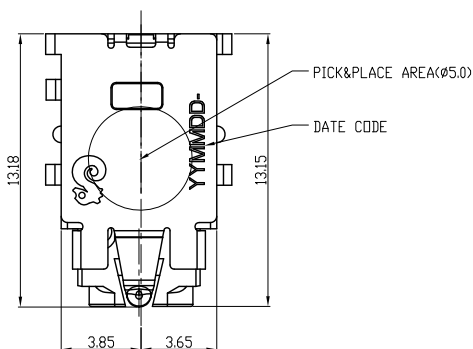


| | | | |
|------|-----------------------|----------|------------|
| REV. | ECN NO OR DESCRIPTION | REVISED | DATE |
| A | PDR NO:T131017-4A | Dengfeng | 2014.04.27 |
| B | ECN NO:S140632 | ANDY | 2014.07.17 |

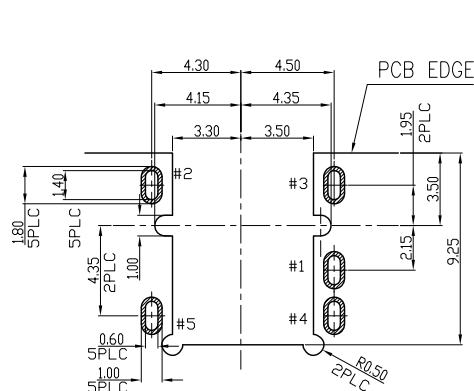
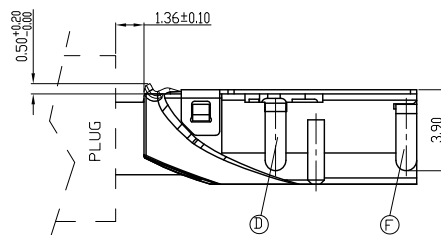
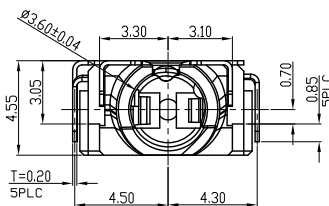
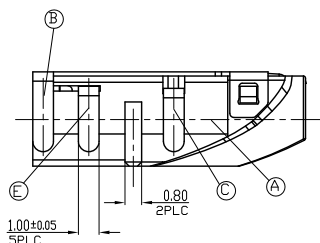


RECOMMENDED PLUG
4-POLE(±0.05)

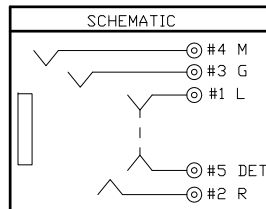
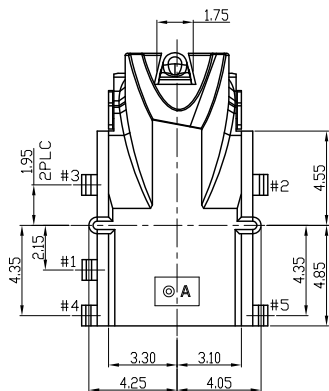


SPECIFICATIONS:

- INSULATION RESISTANCE BETWEEN ANY ADJACENT OPEN CIRCUIT TERMINAL SHELL NOT BE LESS THAN 100MΩ MEASURED BY 500 VDC.
- CONTACT RESISTANCE: 50mΩ MAX.
- INSULATION VOLTAGE WITHSTAND:500V AC FOR ONE MINUTE.
- UNLESS OTHERWISE SPECIFIED. TEST IS TO BE MADE AT 5-35°C IN TEMPERATURE AND 45-85% IN HUMIDITY. BUT,IF ANY VAGUE DATA IS OCCURED ON TEST RESULT, ANOTHER TEST SHALL BE MADE AT 20°C±2°C IN TEMP., 60-70% IN HUMIDITY.
- LIFE TEST: 10,000 CYCLES MIN.
- INSERTION FORCE: 0.3 - 3Kg.
- WITHDRAWAL FORCE: 0.3 - 3Kg.
- AFTER LIFE TEST, CONTACT RESISTANCE: 100mΩ MAX.
- AFTER HUMIDITY TEST, INSULATION RESISTANCE: 50MΩ MIN.
- MARKING: MARK "S" ON TOP OF CONNECTOR.
- PACKING : TAPE & REEL.
- TO CONFORM TO SINGATRON HAZARDOUS SUBSTANCE FREE SPEC.
- HALOGEN FREE PRODUCT IDENTIFICATION MARK ON JACK:
- HALOGEN FREE PRODUCT IDENTIFICATION LABEL ON PACKAGING:



RECOMMENDED PCB LAYOUT(TOP VIEW)T=1.00mm
(TOLERANCE: ±0.05)



| | | | | |
|---|--------|---|-------------------------------------|--|
| F | TIP-B | 1 | PHOSPHOR BRONZE 0.2t | GOLD FLASH ON CONTACT AREA; GOLD FLASH ON SOLDER TAIL AREA; |
| E | TIP-A | 1 | STAINLESS STEEL 0.2t | ALL OVER 50u" NICKET PLATING. |
| D | RING-A | 1 | PHOSPHOR BRONZE 0.2t | GOLD FLASH ON CONTACT AREA; MATTE TIN 120u" SOLDER TAIL AREA; |
| C | RING-B | 1 | PHOSPHOR BRONZE 0.2t | ALL OVER 50u" NICKET PLATING. |
| B | EARTH | 1 | PHOSPHOR BRONZE 0.2t | Ni 50u" Min. |
| A | BODY | 1 | HIGH TEMP.THERMOPLASTIC UL 94V-0 | BLACK |

| NO | DESCRIPTION | QTY | MATERIAL | PLATING & COLOR |
|--------------------------------------|-------------|---------|--|--|
| UNLESS OTHERWISE SPECIFED TOLERANCES | | | Singatron Enterprise Co., Ltd. 信音企業股份有限公司 | |
| DECIMALS: | | ANGLES: | TITLE | |
| X | :±0.5 | X | :±2° | Ø3.50 AUDIO JACK |
| X.X | :±0.3 | X.X | :±1° | DWN ANDY PART NO. 2SJ3059-039111F |
| X.XX | :±0.2 | | | CHKD CERRY SCALE:4:1 UNIT: mm |
| | | | | APVD MAX SIZE: A3 SHEET:1 OF 1 REV: B |
| CUSTOMER COPY | | | | |