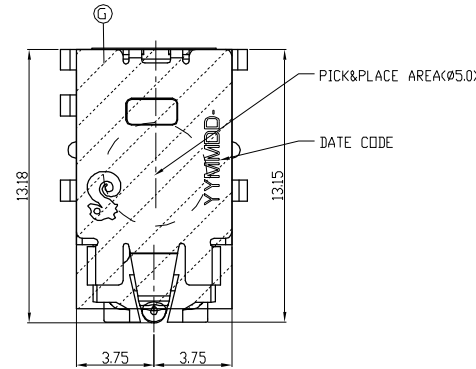
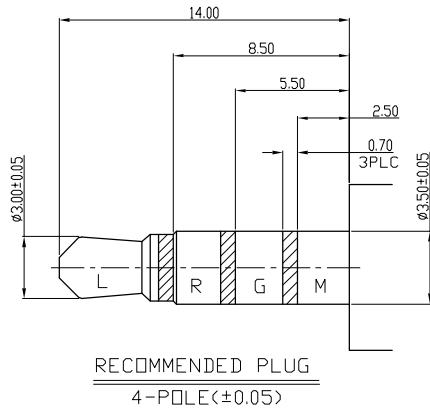
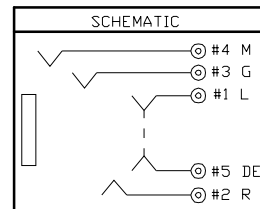
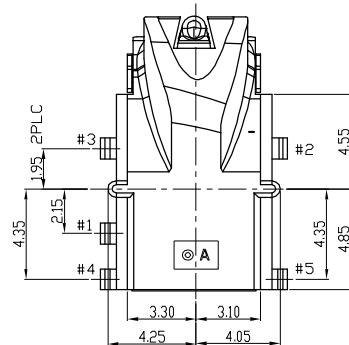
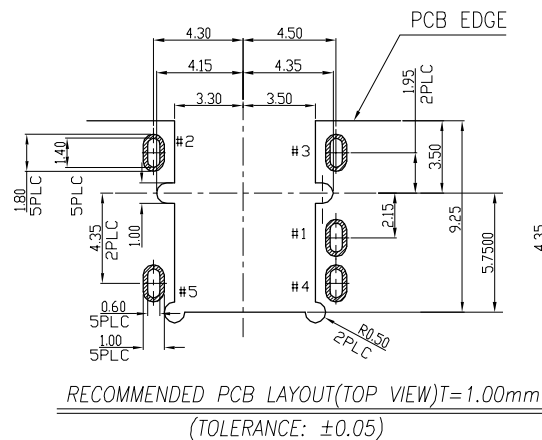
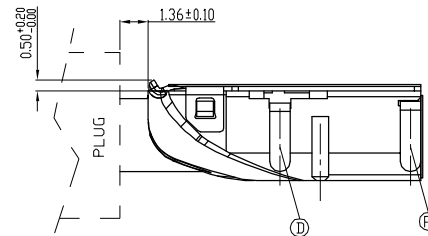
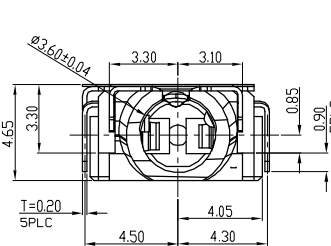
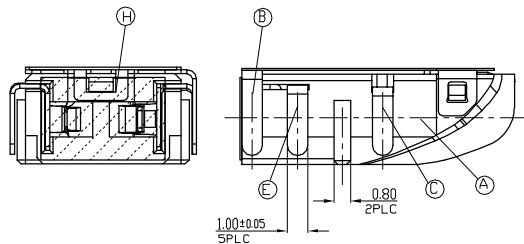


REV.	ECN NO OR DESCRIPTION	REVISED	DATE
A	PDR NO. T140226-3A	Dengfeng	2014.04.21
B	ECN NO. S140813	ANDY	2014.09.28



SPECIFICATIONS:

- INSULATION RESISTANCE BETWEEN ANY ADJACENT OPEN CIRCUIT TERMINAL SHELL NOT BE LESS THAN 100MΩ MEASURED BY 500 VDC.
- CONTACT RESISTANCE: 50mΩ MAX.
- INSULATION VOLTAGE WITHSTAND:500V AC FOR ONE MINUTE.
- UNLESS OTHERWISE SPECIFIED. TEST IS TO BE MADE AT 5-35°C IN TEMPERATURE AND 45-85% IN HUMIDITY. BUT,IF ANY VAGUE DATA IS OCCURED ON TEST RESULT, ANOTHER TEST SHALL BE MADE AT 20°C±2°C IN TEMP., 60-70% IN HUMIDITY.
- LIFE TEST: 10,000 CYCLES MIN.
- INSERTION FORCE: 0.3 - 3Kg.
- WITHDRAWAL FORCE: 0.3 - 3Kg.
- AFTER LIFE TEST, CONTACT RESISTANCE: 60mΩ MAX.
- AFTER HUMIDITY TEST, INSULATION RESISTANCE: 50MΩ MIN.
- MARKING: MARK "S" ON TOP OF CONNECTOR.
- PACKING : TAPE & REEL.
- TO CONFORM TO SINGATRON HAZARDOUS SUBSTANCE FREE SPEC.
- HALOGEN FREE PRODUCT IDENTIFICATION MARK ON JACK:
- HALOGEN FREE PRODUCT IDENTIFICATION LABEL ON PACKAGING:



H	MYLAR	1	KAPTON	BLACK
G	MYLAR	1	KAPTON	YELLOW
F	TIP-B	1	PHOSPHOR BRONZE 0.2t	GOLD FLASH ON CONTACT AREA; GOLD FLASH ON SOLDER TAIL AREA;
E	TIP-A	1	STAINLESS STEEL 0.2t	ALL OVER 50u" NICKET PLATING.
D	RING-A	1	PHOSPHOR BRONZE 0.2t	GOLD FLASH ON CONTACT AREA;
C	RING-B	1	PHOSPHOR BRONZE 0.2t	MATTE TIN 120u" SOLDER TAIL AREA;
B	EARTH	1	PHOSPHOR BRONZE 0.2t	ALL OVER 50u" NICKET PLATING.
A	BODY	1	HIGH TEMP.THERMOPLASTIC UL 94V-0	Ni 50u" Min. BLACK
NO	DESCRIPTION	QTY	MATERIAL	PLATING & COLOR
UNLESS OTHERWISE SPECIFIED TOLERANCES			Singatron Enterprise Co., Ltd. 信音企業股份有限公司	
DECIMALS: ANGLES:		TITLE: ø3.50 AUDIO JACK		
X	:±0.5	X	:±2°	DWN ANDY PART NO. 2SJ3059-042111F
X.X	:±0.3	X.X	:±1°	CHKD CERRY SCALE:4:1 UNIT: mm
X.XX	:±0.2	APVD LIAO SIZE: A3 SHEET:1 OF 1 REV: B		
CUSTOMER COPY				