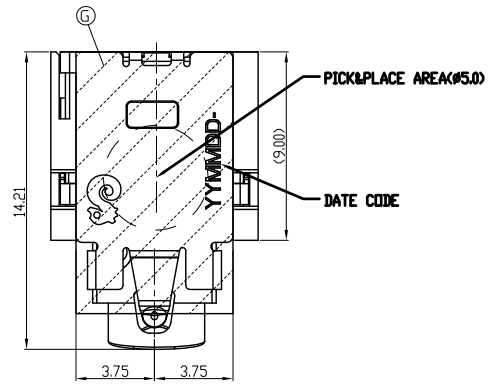
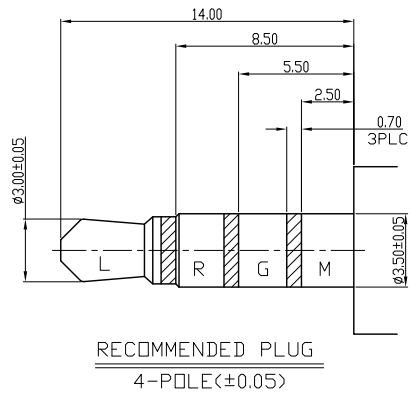
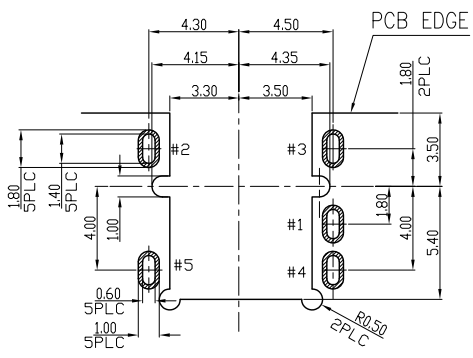
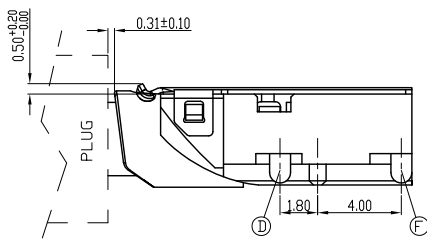
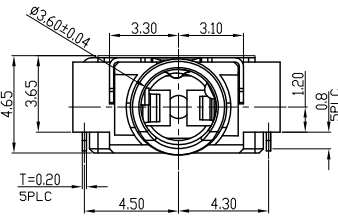
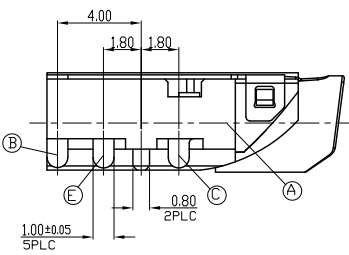


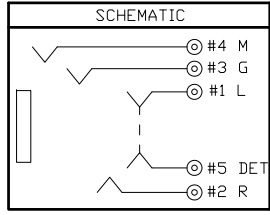
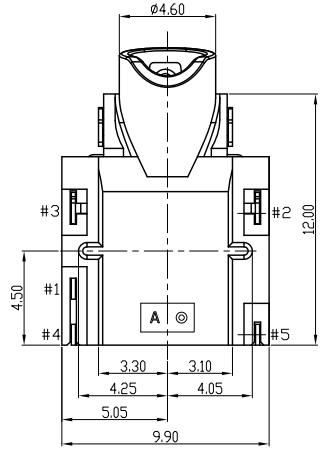
REV.	ECN NO OR DESCRIPTION	REVISED	DATE
A	PDR NO: T140804-4A	Dengfeng	2014.11.14



- SPECIFICATIONS:**
- INSULATION RESISTANCE BETWEEN ANY ADJACENT OPEN CIRCUIT TERMINAL SHELL NOT BE LESS THAN 100MΩ MEASURED BY 500 VDC.
  - CONTACT RESISTANCE: 50mΩ MAX.
  - INSULATION VOLTAGE WITHSTAND:500V AC FOR ONE MINUTE.
  - UNLESS OTHERWISE SPECIFIED. TEST IS TO BE MADE AT 5-35°C IN TEMPERATURE AND 45-85% IN HUMIDITY. BUT,IF ANY VAGUE DATA IS OCCURED ON TEST RESULT, ANOTHER TEST SHALL BE MADE AT 20°C±2°C IN TEMP., 60-70% IN HUMIDITY.
  - LIFE TEST: 5,000 CYCLES MIN.
  - INSERTION FORCE: 0.3 - 3Kg.
  - WITHDRAWAL FORCE: 0.3 - 3Kg.
  - AFTER LIFE TEST, CONTACT RESISTANCE: 100mΩ MAX.
  - AFTER HUMIDITY TEST, INSULATION RESISTANCE: 50MΩ MIN.
  - MARKING: MARK "S" ON TOP OF CONNECTOR.
  - PACKING : TAPE & REEL.
  - TO CONFORM TO SINGATRON HAZARDOUS SUBSTANCE FREE SPEC.
  - HALOGEN FREE PRODUCT IDENTIFICATION MARK ON JACK:
  - HALOGEN FREE PRODUCT IDENTIFICATION LABEL ON PACKAGING:



**RECOMMENDED PCB LAYOUT(TOP VIEW)T=1.00mm**  
(TOLERANCE: ±0.05)



G	MYLAR	1	N/A	YELLOW
F	TIP-B	1	C5191-EH 0.2t	GOLD FLASH ON CONTACT AREA; GOLD FLASH ON SOLDER TAIL AREA; ALL OVER 50u" NICKET PLATING.
E	TIP-A	1	SUS304-1/2H 0.2t	ALL OVER 50u" NICKET PLATING.
D	RING-A	1	C5210-EH 0.2t	GOLD FLASH ON CONTACT AREA; MATTE TIN 120u" SOLDER TAIL AREA; ALL OVER 50u" NICKET PLATING.
C	RING-B	1	C5210-EH 0.2t	ALL OVER 50u" NICKET PLATING.
B	EARTH	1	C5210-EH 0.2t	Ni 50u" Min.
A	BODY	1	PA4T+30%GF, UL 94V-0	BLACK
NO	DESCRIPTION	QTY	MATERIAL	PLATING & COLOR

UNLESS OTHERWISE SPECIFED TOLERANCES		Singatron Enterprise Co., Ltd. 信音企業股份有限公司		
DECIMALS:	ANGLES:	TITLE	Ø3.50 AUDIO JACK	
X : ±0.5	X : ±2°	DWN	Dengfeng	PART NO. 2SJ3059-050111F
X.X : ±0.3	X.X : ±1°	CHKD	Bruce	SCALE:4:1 UNIT: mm
X.XX : ±0.2		APVD	Lussen	SIZE: A3 SHEET:1 OF 1 REV: A
<b>CUSTOMER COPY</b>				