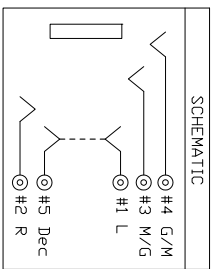
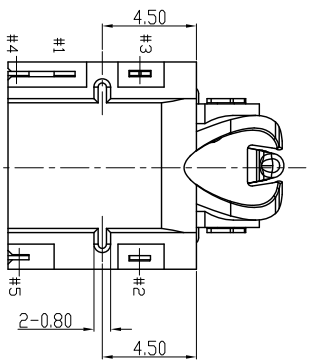
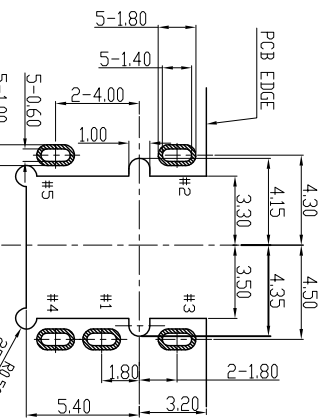


- SPECIFICATIONS:
- INSULATION RESISTANCE BETWEEN ANY ADJACENT OPEN CIRCUIT TERMINAL SHELL NOT BE LESS THAN 100MΩ MEASURED BY 500 VDC MEGGER.
 - CONTACT RESISTANCE: 50mΩ MAX.
 - INSULATION VOLTAGE WITHSTAND: 500V AC FOR ONE MINUTE.
 - UNLESS OTHERWISE SPECIFIED, TEST IS TO BE MADE AT 5-35°C IN TEMPERATURE AND 45-85% IN HUMIDITY. BUT IF ANY VAGUE DATA IS OCCURED ON TEST RESULT, ANOTHER TEST SHALL BE MADE AT 20°C±2°C IN TEMP., 60-70% IN HUMIDITY.
 - LIFE TEST: 10,000 CYCLES MIN.
 - INSERTION FORCE: 0.3 - 3kg.
 - WITHDRAWAL FORCE: 0.3 - 3kg.
 - AFTER LIFE TEST, CONTACT RESISTANCE: 100mΩ MAX.
 - AFTER HUMIDITY TEST, INSULATION RESISTANCE: 50MΩ MIN.
 - MARKING: MARK "S" ON TOP OF CONNECTOR.
 - PACKING: TAPE & REEL.
 - TO CONFORM TO SINGATRON HAZARDOUS SUBSTANCE FREE SPEC.
 - HALOGEN FREE PRODUCT IDENTIFICATION MARK ON PRODUCT:
 - HALOGEN FREE PRODUCT IDENTIFICATION LOGO ON PACKING:



G	MYLAR	1	YELLOW	N/A
F	TIP-B	1	PHOSPHOR BRONZE 0.2t	GOLD FLASH ON CONTACT AREA, GOLD FLASH ON SOLDER PLATING, ALL OVER NICKET 50μ MIN. PLATING.
E	TIP-A	1	SUS 304 1/2H 0.2t	GOLD FLASH OVER NICKET 50μ MIN. PLATING.
D	RING-A	1	PHOSPHOR BRONZE 0.2t	GOLD FLASH ON CONTACT AREA, MATE 5μ 80μ MIN. ON SOLDER TAIL, ALL OVER NICKET 50μ MIN. PLATING.
C	RING-B	1	PHOSPHOR BRONZE 0.2t	ALL OVER NICKET 50μ MIN. PLATING.
B	EARTH	1	PHOSPHOR BRONZE 0.2t	NICKET 50μ MIN.
A	BODY	1	HIGH TEMP.THERMOPLASTIC UL 94V-0	BLACK
NO	DESCRIPTION	QTY	MATERIAL	PLATING & COLOR

UNLESS OTHERWISE SPECIFIED TOLERANCES

Singatron Enterprise Co., Ltd.
信音企業股份有限公司

TITLE: **Ø3.50 AUDIO JACK**

DWN	Feng	PART NO.	2SM3059-053111F
CHKD	Bruce	SCALE:4:1	UNIT: mm
APVD	Lussen	SIZE: A3	SHEET: 1 OF 1 REV: A

CUSTOMER COPY

REV.	ECN NO OR DESCRIPTION	REVISED	DATE
A	PDR NO. T141222-2A	Feng	2015.03.13