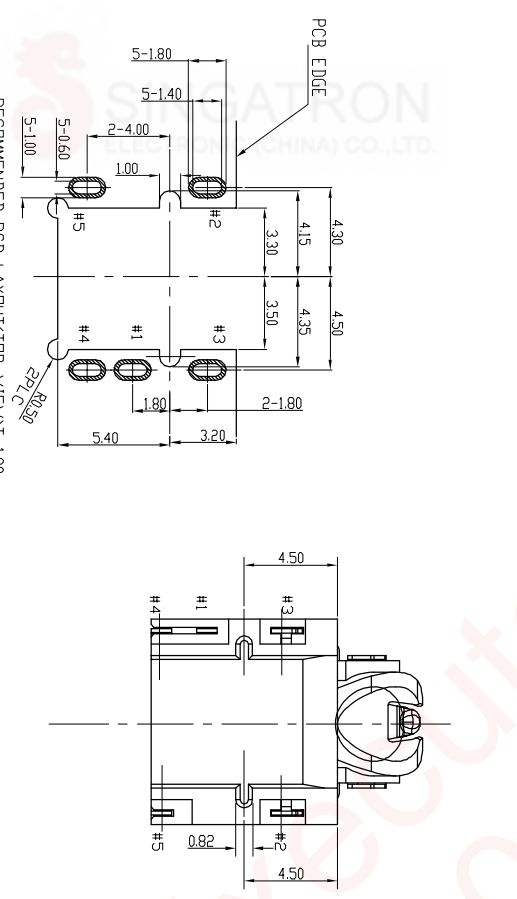
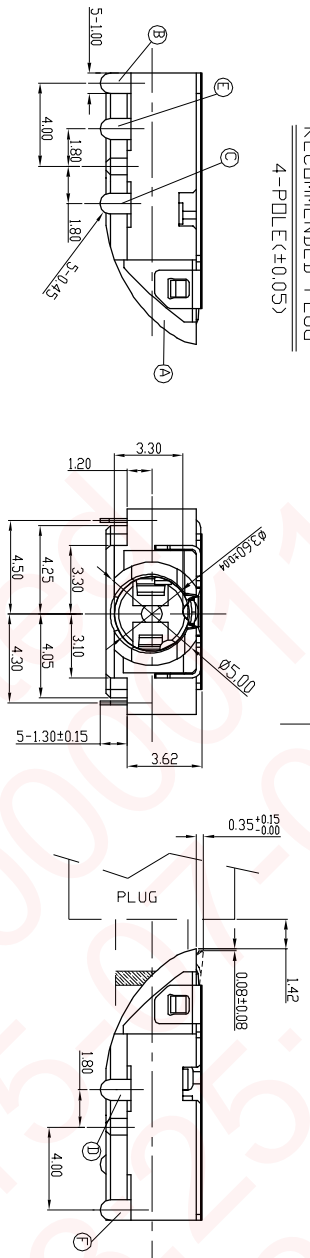
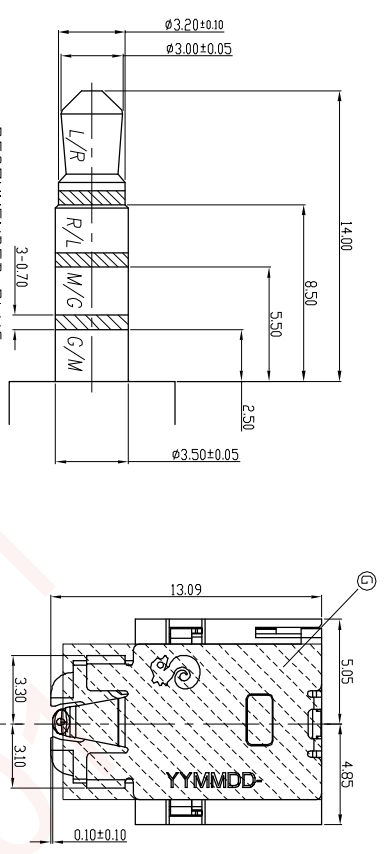


REV. A	ECN NO. PDR NO. T150507-7A	OR DESCRIPTION	REVISED	DATE
			Ming	2015.05.08



- SPECIFICATIONS:
- INSULATION RESISTANCE BETWEEN ANY ADJACENT OPEN CIRCUIT TERMINAL SHELL NOT BE LESS THAN 100MΩ MEASURED BY 500 VDC.
 - CONTACT RESISTANCE: 50mΩ MAX.
 - INSULATION VOLTAGE WITHSTAND: 500V AC FOR ONE MINUTE.
 - UNLESS OTHERWISE SPECIFIED, TEST IS TO BE MADE AT 5-35°C IN TEMPERATURE AND 45-85% IN HUMIDITY. BUT, IF ANY VAGUE DATA IS OCCURRED ON TEST RESULT, ANOTHER TEST SHALL BE MADE AT 20°C±2°C IN TEMP., 60-70% IN HUMIDITY.
 - LIFE TEST: 5,000 CYCLES MIN.
 - INSERTION FORCE: 0.3 - 3kg.
 - WITHDRAWAL FORCE: 0.3 - 3kg.
 - AFTER TEST, CONTACT RESISTANCE: 80mΩ MAX.
 - AFTER HUMIDITY TEST, INSULATION RESISTANCE: 50MΩ MIN.
 - MARKING: MARK "S" ON TOP OF CONNECTOR.
 - PACKING: TAPE & REEL.
 - TO CONFORM TO SINGATRON HAZARDOUS SUBSTANCE FREE SPEC.
 - HALOGEN FREE PRODUCT IDENTIFICATION MARK ON PRODUCT.
 - HALOGEN FREE PRODUCT IDENTIFICATION MARK ON PACKING.
 - REPRESENTS: CRITICAL DIMENSION.
 - △ REPRESENTS CRITICAL DIMENSION.

G	MN/LAR	1	YELLOW	N/A
F	TIP-B	1	CS191-EH 0.2t	GOLD FLASH OVER NICKEL 50μ MIN. PLATING.
E	TIP-A	1	SUS 304 1/2H 0.2t	40-50μ MIN ON CONTACT AREA. GOLD FLASH OVER ALL. ALL OVER 500nm NICKEL PLATING.
D	RING-A	1	CS210-EH 0.2t	GOLD FLASH ON CONTACT AREA.
C	RING-B	1	CS210-EH 0.2t	WHITE TIN 120μ MIN. ON SOLDER TAIL. ALL OVER NICKEL 500μ MIN. PLATING.
B	EARTH	1	CS210-EH 0.2t	NICKEL 500μ Min.
A	BODY	1	PA101+30%GF (R630NH)	BLACK
NO	DESCRIPTION	QTY	MATERIAL	PLATING & COLOR
UNLESS OTHERWISE SPECIFIED TOLERANCES				
Singatron Enterprise Co., Ltd. 信善企业股份有限公司				
DECIMALS:		ANGLES:		
X	:±0.3	X	:±1°	
X.X	:±0.2	X.X	:±0.5°	
X.XX	:±0.1			
X.XXX	:±0.05			
TITLE: φ3.50 AUDIO JACK				
DWN	Ming	PART NO.	2SJ3059-056111F	
CHKD	Bruce	SCALE: 4:1	UNIT: mm	
APVD	Lussen	SIZE: A3	SHEET: 1 OF 1	REV: A
CUSTOMER COPY				