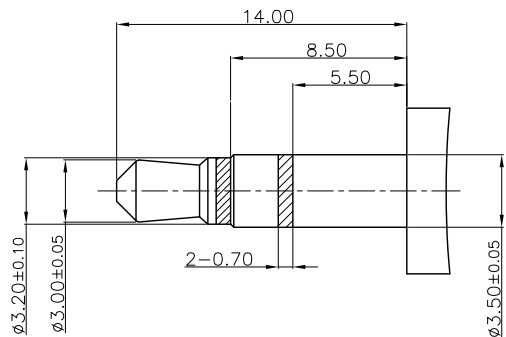


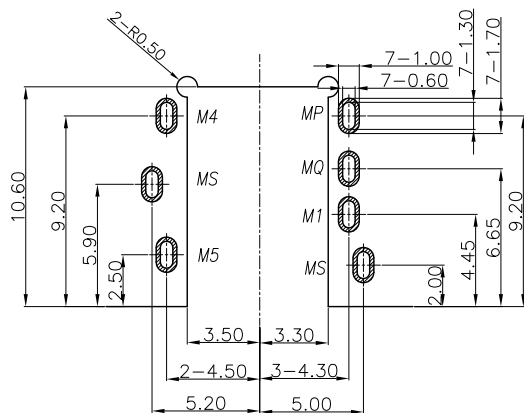
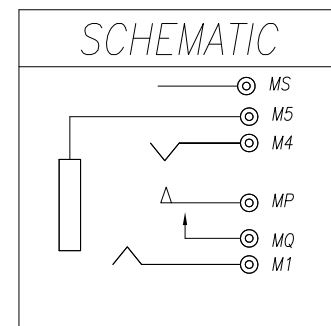
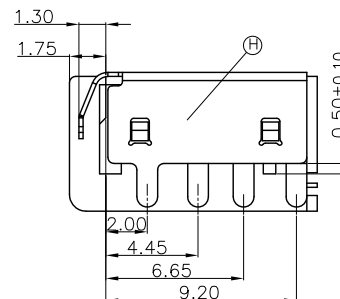
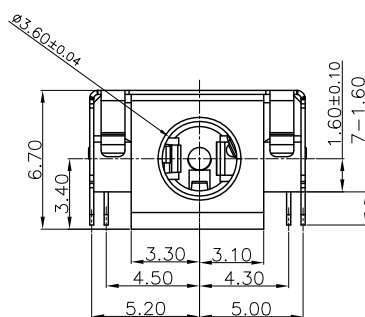
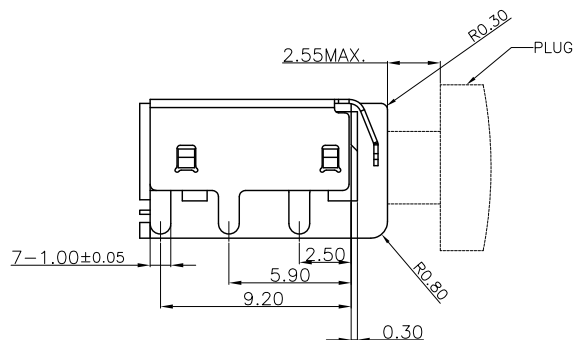
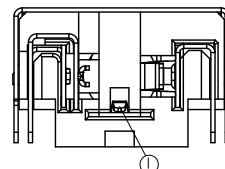
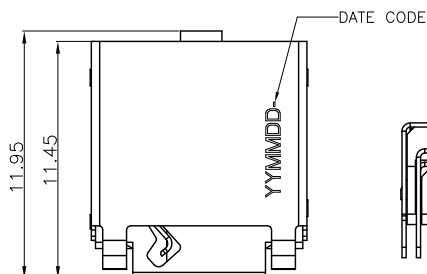
REV.	ECN NO OR DESCRIPTION	REVISED	DATE
A	PDR NO: T121025-6A	Owen	2014.07.21

SPECIFICATIONS:

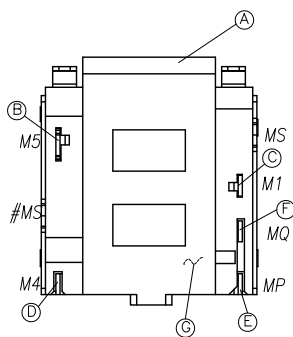
- ELECTRICAL CHARACTERISTICS:
 - RATING: 12V 1A
 - CONTACT RESISTANCE: 50mΩ MAX.(INITIAL)
 - DIELECTRIC WITHSTANDING VOLTAGE: 500V AC FOR ONE MINUTE.
 - INSULATION RESISTANCE: 100MΩ MIN. MEASURED BY 500 VDC
- MECHANICAL CHARACTERISTICS:
 - INSERTION FORCE : 0.3~3.0 KGF
 - WITHDRAWAL FORCE : 0.3~3.0 KGF
- LIFE TEST: 5,000 CYCLES.
- AFTER LIFE TEST, CONTACT RESISTANCE: 60mΩ MAX.
- AFTER HUMIDITY TEST, INSULATION RESISTANCE: 50MΩ MIN.
- TO CONFORM TO SINGATRON HAZARDOUS SUBSTANCE FREE SPEC.
- HALOGEN FREE PRODUCT IDENTIFICATION MARK ON PRODUCT: ☉
- HALOGEN FREE PRODUCT IDENTIFICATION LOGO ON PACKAGING: ♻️



3.5φ 3POLE PLUG(TOLERANCE: ±0.05)



RECOMMENDED PCB LAYOUT(TOP VIEW)
(TOLERANCE: ±0.05)



I	DUMMY	1	STAINLESS STEEL,0.2T	ALL OVER NI 50u" PLATING
H	SHELL	1	STAINLESS STEEL,0.2T	ALL OVER NI 60u" PLATING
G	SEPARATOR	1	HIGH TEMP.THERMOPLASTIC UL 94V-0	BLACK
F	MAKE	1	COPPER ALLOY,0.2T	GOLD FLASH ON CONTACT AREA; GOLD FLASH ON SOLDER TAIL AREA; ALL OVER NI 50u" PLATING.
E	TRANSFER	1	COPPER ALLOY,0.2T	
D	TIP	1	COPPER ALLOY,0.2T	Au 30u" ON CONTACT AREA; GOLD FLASH ON SOLDER TAIL AREA; ALL OVER NI 50u" PLATING.
C	RING	1	COPPER ALLOY,0.2T	
B	EARTH SPRING	1	COPPER ALLOY,0.2T	
A	BODY	1	HIGH TEMP.THERMOPLASTIC UL 94V-0	BLACK

NO	DESCRIPTION	QTY	MATERIAL	PLATING & COLOR
			UNLESS OTHERWISE SPECIFIED TOLERANCES	
			Singatron Enterprise Co., Ltd. 信音企業股份有限公司	
DECIMALS:		TITLE		
X :±0.5		DWN Owen PART NO. 2SJ3061-03311F		
X.X :±0.3		CHKD Bruce SCALE:4:1 UNIT: mm		
X.XX :±0.2		APVD Lussen SIZE: A3 SHEET:1 OF 1 REV: A		

CUSTOMER COPY