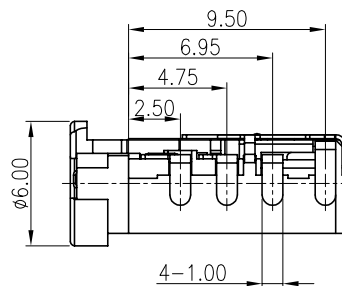
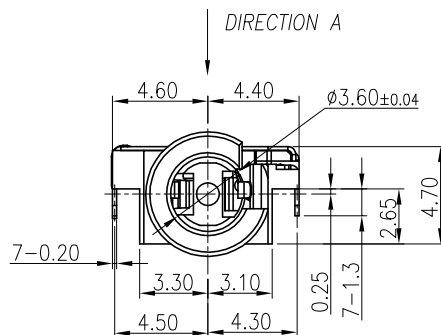
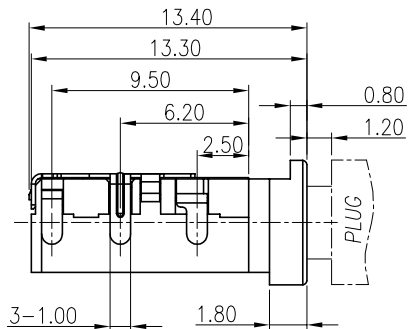
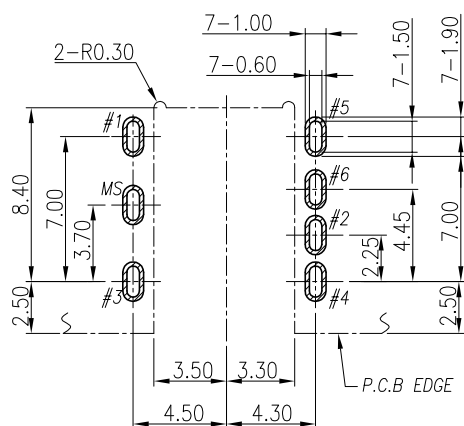


REV.	ECN NO OR DESCRIPTION	REVISED	DATE
A	PDR NO:T131106-10A	MARS	2014.05.07

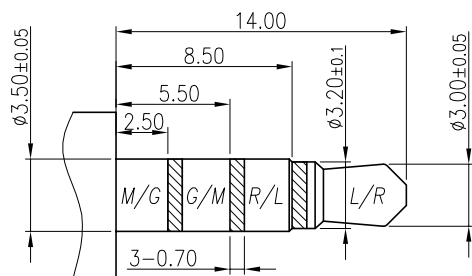
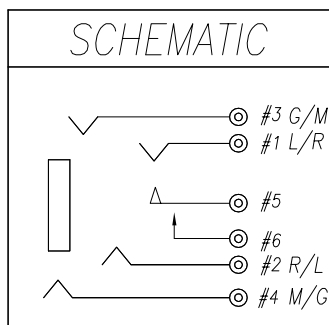
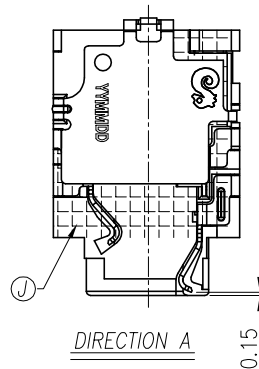
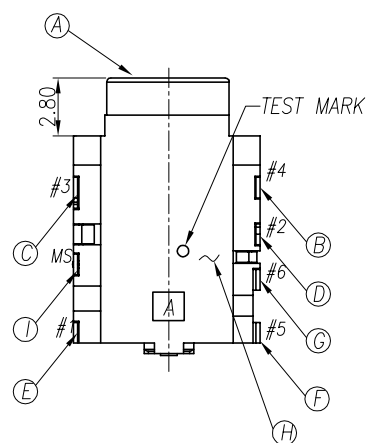


SPECIFICATIONS:

- INSULATION RESISTANCE BETWEEN ANY ADJACENT OPEN CIRCUIT TERMINAL SHELL NOT BE LESS THAN 100MΩ MEASURED BY 500 VDC.
- CONTACT RESISTANCE: 50mΩ MAX.
- INSULATION VOLTAGE WITHSTAND: 500V AC FOR ONE MINUTE.
- UNLESS OTHERWISE SPECIFIED, TEST IS TO BE MADE AT 5-35°C IN TEMPERATURE AND 45-85% IN HUMIDITY. BUT, IF ANY VAGUE DATA IS OCCURED ON TEST RESULT, ANOTHER TEST SHALL BE MADE AT 20°C±2°C IN TEMP., 60-70% IN HUMIDITY.
- LIFE TEST: 5,000 CYCLES MIN.
- INSERTION FORCE: 0.3 - 3Kgf.
- WITHDRAWAL FORCE: 0.3 - 3Kgf.
- AFTER LIFE TEST, CONTACT RESISTANCE: 60mΩ MAX.
- AFTER HUMIDITY TEST, INSULATION RESISTANCE: 50MΩ MIN.
- MARKING: MARK "S" ON TOP OF CONNECTOR.
- PACAGING : TAPE & REEL.
- TO CONFORM TO SINGATRON HAZARDOUS SUBSTANCE FREE SPEC.
- HALOGEN FREE PRODUCT IDENTIFICATION MARK ON PRODUCT:
- HALOGEN FREE PRODUCT IDENTIFICATION LOGO ON PACKAGING:



RECOMMENDED PCB LAYOUT
TOP VIEW ; TOL.±0.05



RECOMMENDED PLUG
φ3.5 4-POLE STANDARD PLUG

J	Mylar	1	KAPTON 0.15T	YELLOW
I	SHELL	1	STAINLESS STEEL 0.2t	Ni 60u"Min.
H	SEPARATOR	1	HIGH TEMP.THERMOPLASTIC UL 94V-0	BLACK
G	MAKE TERMINAL	1	PHOSPHOR BRONZE 0.2t	GOLD FLASH ON CONTACT AREA GOLD FLASH ON SOLDER AREA ALL OVER 50u" Ni.
F	TRANSFER TERMINAL	1	PHOSPHOR BRONZE 0.2t	GOLD FLASH OVER Ni 50u" Min
E	TIP SPRING	1	PHOSPHOR BRONZE 0.2t	GOLD FLASH ON CONTACT AND SOLDER AREA, ALL OVER NI 50u" MIN.
D	RING A	1	PHOSPHOR BRONZE 0.2t	GOLD FLASH OVER Ni 50u" Min
C	RING B	1	PHOSPHOR BRONZE 0.2t	GOLD FLASH OVER Ni 50 u" Min
B	EARTH	1	PHOSPHOR BRONZE 0.2t	GOLD FLASH OVER Ni 50 u" Min
A	BODY	1	HIGH TEMP.THERMOPLASTIC UL 94V-0	BLACK
NO	DESCRIPTION	QTY	MATERIAL	PLATING & COLOR

UNLESS OTHERWISE SPECIFIED TOLERANCES

Singatron Enterprise Co., Ltd.
信音企業股份有限公司

DECIMALS: ANGLES:
X :±0.5 X :±2°
X.X :±0.3 X.X :±1°
X.XX :±0.2

TITLE	3.5φ PHONE JACK		
DWN	MARS	PART NO.2SJ3061-039111F	
CHKD	BRUCE	SCALE 4:1	UNIT: mm
APVD	LUSSEN	SIZE: A3	SHEET:1 OF 1

CUSTOMER COPY