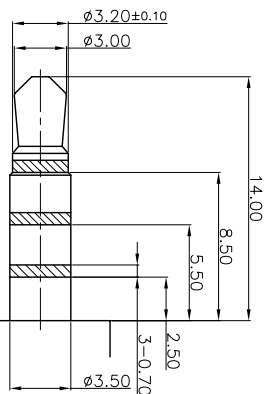
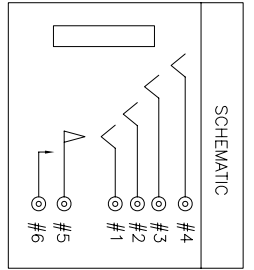
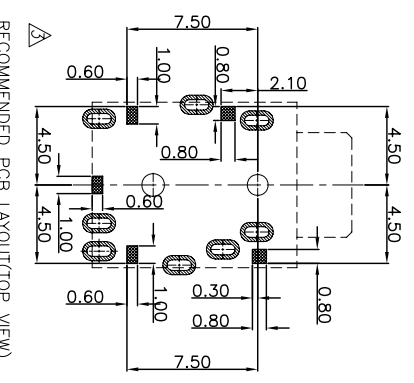
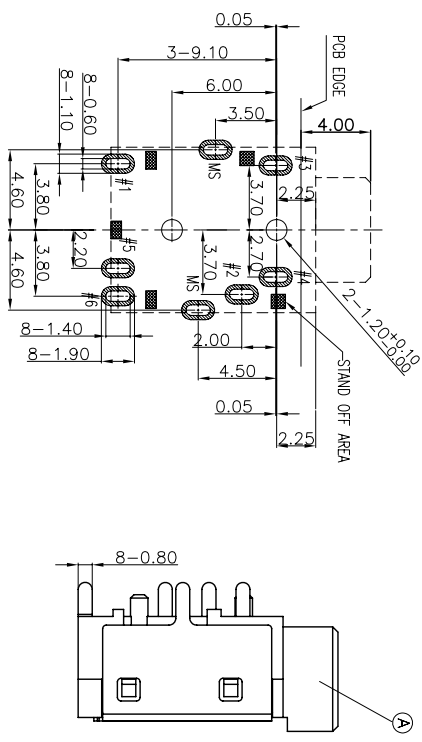
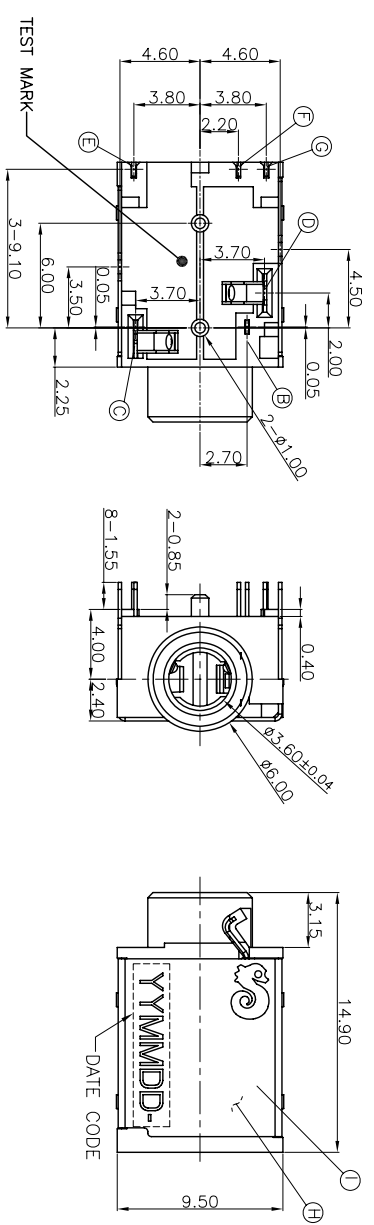


REV.	ECN NO OR DESCRIPTION	REVISED	DATE
A	PDR NO: T120510-7A	Dengfeng	2012.07.19



- SPECIFICATIONS:
- INSULATION RESISTANCE BETWEEN ANY ADJACENT OPEN CIRCUIT TERMINAL SHELL NOT BE LESS THAN 100MΩ MEASURED BY 500 VDC MEGGER.
  - CONTACT RESISTANCE: 50mΩ MAX(INITIAL).
  - INSULATION VOLTAGE WITHSTAND:500V AC FOR ONE MINUTE.
  - UNLESS OTHERWISE SPECIFIED, TEST IS TO BE MADE AT 5--35°C IN TEMPERATURE AND 45--85% IN HUMIDITY. BUT IF ANY VAGUE DATA IS OCCURED ON TEST RESULT, ANOTHER TEST SHALL BE MADE AT 20°C±2°C IN TEMP., 60--70% IN HUMIDITY.
  - LIFE TEST: 5,000 CYCLES.
  - INSERTION FORCE: 0.3 - 3.0Kg.
  - WITHDRAWAL FORCE: 0.3 - 3.0Kg.
  - AFTER LIFE TEST, CONTACT RESISTANCE: 100mΩ MAX.
  - AFTER HUMIDITY TEST, INSULATION RESISTANCE: 50MΩ MIN.
  - MARKING: MARK "D" ON TOP OF CONNECTOR.
  - PACKING : TAPE & REEL.
  - TO CONFORM TO SINGATRON HAZARDOUS SUBSTANCE FREE SPEC.
  - HALOGEN FREE PRODUCT IDENTIFICATION MARK ON JACK:
  - HALOGEN FREE PRODUCT IDENTIFICATION LABEL ON PACKAGING:
  - RESISTANCE TO SOLDER HEAT: PTH 270 °C, 5SECONDS

I	SHELL	1	COPPER ALLOY, 0.2t	NICKEL 60μ" MIN. PLATING.
H	SEPARATE	1	LCP, JUL 94V-0	BLACK
G	MAKE TERMINAL	1	COPPER ALLOY, 0.2t	
F	TRANSFER TERMINAL	1	COPPER ALLOY, 0.2t	
E	TIP SPRING	1	COPPER ALLOY, 0.25t	
D	RING-A	1	COPPER ALLOY, 0.2t	GOLD FLASH ON CONTACT AREA, MATE TN 120μ" ON SOLDER TAIL, ALL OVER NICKEL 50μ" MIN. PLATING.
C	RING-B	1	COPPER ALLOY, 0.2t	
B	EARTH	1	COPPER ALLOY, 0.2t	
A	BODY	1	PA10T, JUL 94V-0	BLACK
NO	DESCRIPTION	QTY	MATERIAL	PLATING & COLOR

UNLESS OTHERWISE SPECIFIED TOLERANCES

DECIMALS: ANGLES:

X	:±0.5	X	:±2°
X.X	:±0.3	X.X	:±1°
X.XX	:±0.2		

Singatron Enterprise Co., Ltd.  
信亨企業股份有限公司

PART NO. 2S130062-001111F

SCALE: 4:1

UNIT: mm

SIZE: A3

SHEET: 1 OF 1

REV: A

CUSTOMER COPY