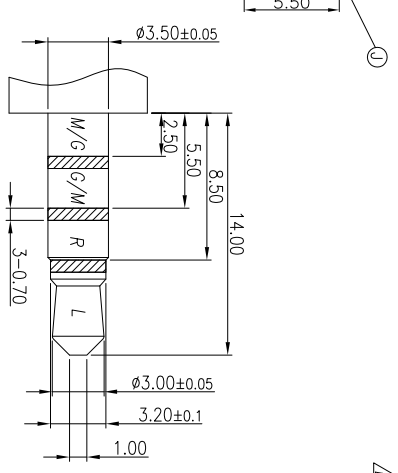
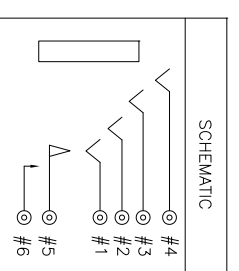
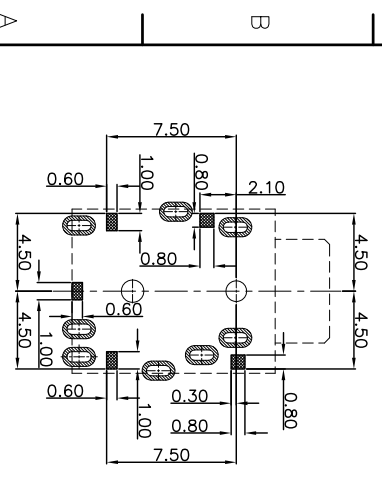
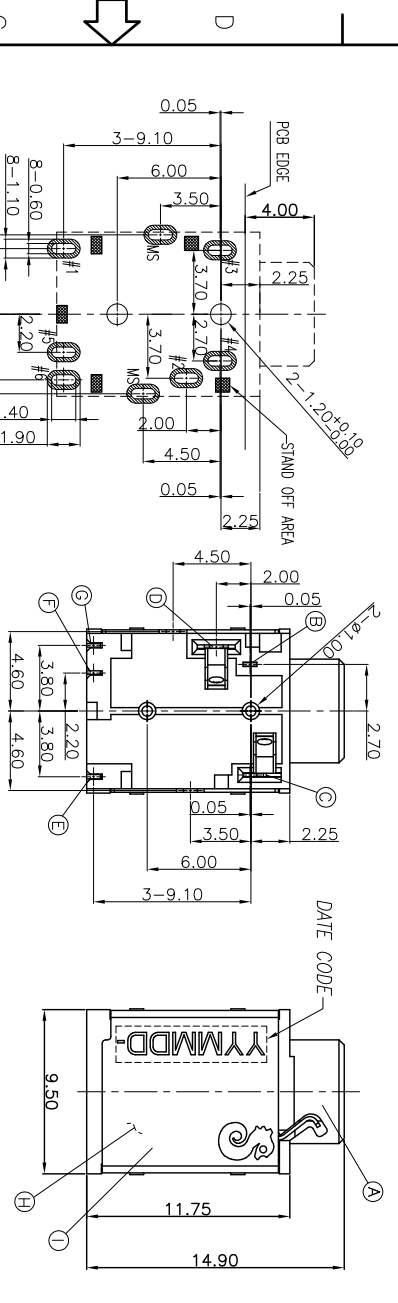
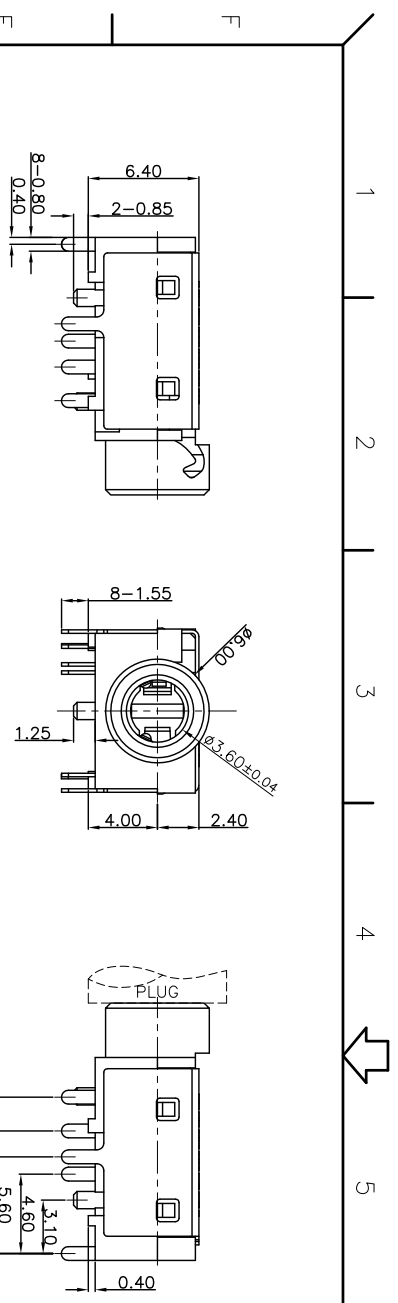


| REV. | ECN NO OR DESCRIPTION | REVISED | DATE |
|------|-----------------------|---------|------------|
| A | PDR NO:IT140828-1A | Danfeng | 2014.12.18 |
| B | ECN NO:ST150455-C | YULIN | 2015.06.08 |



RECOMMENDED PCB LAYOUT(TOP VIEW)
(TOLERANCE: ±0.05)

RECOMMENDED PLUG(±0.05)
Ø3.5 4-POLE STANDARD PLUG

- SPECIFICATIONS:
- INSULATION RESISTANCE BETWEEN ANY ADJACENT OPEN CIRCUIT TERMINAL SHELL NOT BE LESS THAN 100MΩ MEASURED BY 500 VDC .
 - CONTACT RESISTANCE: 50mΩ MAX.
 - INSULATION VOLTAGE WITHSTAND:500V AC FOR ONE MINUTE.
 - UNLESS OTHERWISE SPECIFIED, TEST IS TO BE MADE AT 5-35°C IN TEMPERATURE AND 45-85% IN HUMIDITY. BUT,IF ANY VAGUE DATA IS OCCURED ON TEST RESULT, ANOTHER TEST SHALL BE MADE AT 20C±2°C IN TEMP., 60-70% IN HUMIDITY.
 - LIFE TEST: 5,000 CYCLES.
 - INSERTION FORCE: 0.3 - 3.0kg.
 - WITHDRAWAL FORCE: 0.3 - 3.0kg.
 - AFTER TEST, CONTACT RESISTANCE: 100mΩ MAX.
 - AFTER HUMIDITY TEST, INSULATION RESISTANCE: 50MΩ MIN.
 - MARKING: MARK "Y" ON TOP OF CONNECTOR.
 - PACKING : TAPE & REEL.
 - TO CONFORM TO SINGATRON HAZARDOUS SUBSTANCE FREE SPEC.
 - HALOGEN FREE PRODUCT IDENTIFICATION MARK ON JACK: Ⓢ
 - HALOGEN FREE PRODUCT IDENTIFICATION LABEL ON PACKAGING: Ⓢ

| J | INSULATION FILM | 1 | MYLAR 0.075t | Brown |
|----|-------------------|---|--------------------------|---|
| I | SHELL | 1 | COPPER ALLOY, 0.2t | NICKEL 60μ" MIN. PLATING. |
| H | SEPARATE | 1 | LCP,UL 94V-0 | BLACK |
| G | MAKE TERMINAL | 1 | COPPER ALLOY, 0.2t | GOLD FLASH ON CONTACT AREA, WHITE TIN 120μ" ON SOLDER TAIL, ALL OVER NICKEL 50μ" MIN. PLATING |
| F | TRANSFER TERMINAL | 1 | COPPER ALLOY, 0.2t | ALL OVER NICKEL 50μ" MIN. PLATING |
| E | TIP SPRING | 1 | COPPER ALLOY, 0.25t | |
| D | RING-A | 1 | COPPER ALLOY, 0.2t | AU 30μ" ON CONTACT AREA, WHITE TIN 120μ" ON SOLDER TAIL, ALL OVER NICKEL 50μ" MIN. PLATING |
| C | RING-B | 1 | COPPER ALLOY, 0.2t | ALL OVER NICKEL 50μ" MIN. PLATING |
| B | EARTH | 1 | COPPER ALLOY, 0.2t | |
| A | BODY | 1 | P44T-308 GF (TX)UL 94V-0 | BLACK |
| NO | DESCRIPTION | | | PLATING & COLOR |

UNLESS OTHERWISE SPECIFIED TOLERANCES

DECIMALS: ANGLES:

X :±0.5 X :±2°
X.X :±0.3 X.X :±1°
X.XX :±0.2

YULIN
PART NO. 2S33062-007111F
SCALE:4:1
UNIT: mm
SIZE: A3
SHEET: 1 OF 1
REV: B

Singatron Enterprise Co., Ltd.
信亨企業股份有限公司

CUSTOMER COPY