


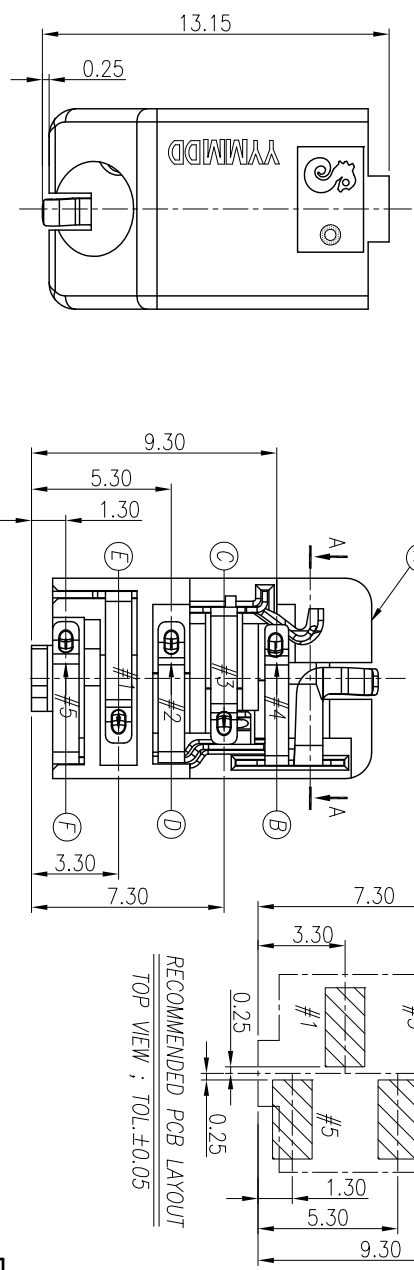
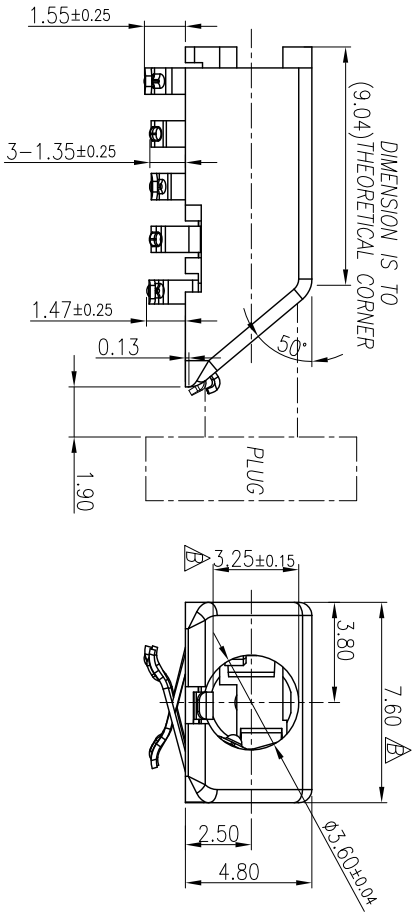


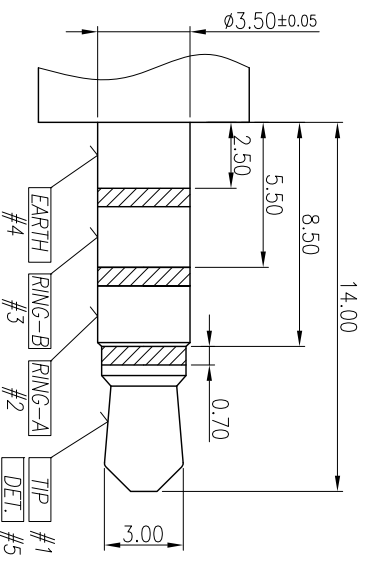
| REV. | ECN NO. | OR DESCRIPTION | REVISED | DATE |
|------|--------------------|----------------|---------|------------|
| A | PDR NO:11111114-2A | | Owen | 2012.6.07 |
| B | ECN NO.S:120660 | | Owen | 2012.6.19 |
| C | ECN NO.S:130365 | | Angus | 2013.05.07 |

SPECIFICATIONS:

- INSULATION RESISTANCE BETWEEN ANY ADJACENT OPEN CIRCUIT TERMINAL SHELL NOT BE LESS THAN 100M Ω MEASURED BY 500 VDC.
- CONTACT RESISTANCE: 50m Ω MAX.
- INSULATION VOLTAGE WITHSTAND:500V AC FOR ONE MINUTE.
- UNLESS OTHERWISE SPECIFIED, TEST IS TO BE MADE AT 5-35°C IN TEMPERATURE AND 45-85% IN HUMIDITY. BUT IF ANY VAGUE DATA IS OCCURED ON TEST RESULT, ANOTHER TEST SHALL BE MADE AT 20°C±2°C IN TEMP., 60-70% IN HUMIDITY.
- LIFE TEST: 6,000 CYCLES MIN.
- INSERTION FORCE: 5 - 20N.
- WITHDRAWAL FORCE: 5 - 20N.
- AFTER LIFE TEST, CONTACT RESISTANCE: 60m Ω MAX.
- AFTER HUMIDITY TEST, INSULATION RESISTANCE: 50M Ω MIN.
- MARKING: MARK "  " ON TOP OF CONNECTOR.
- PACKING : TAPE & REEL.
- TO CONFORM TO SINGATRON HAZARDOUS SUBSTANCE FREE SPEC.
- HALOGEN FREE PRODUCT IDENTIFICATION MARK ON PRODUCT: 
- HALOGEN FREE PRODUCT IDENTIFICATION LOGO ON PACKAGING: 
- DATE CODE:YYMMDD(YY:YEAR MM:MONTH DD:DAY).
- SALT SPRAY TEST: FOR NOKIA SPEC.

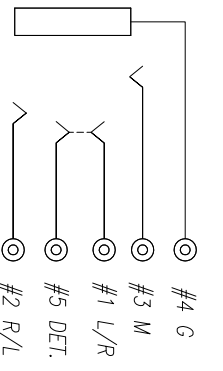


RECOMMENDED PCB LAYOUT
TOP VIEW : TOL.±0.05



RECOMMENDED PLUG
#3.5 4-POLE STANDARD PLUG(TOL:±0.05)

SCHEMATIC



| NO | DESCRIPTION | QTY | MATERIAL | PLATING & COLOR |
|----|-------------|-----|----------------------------------|--|
| F | DET. | 1 | COPPER ALLOY 0.25t | |
| E | TIP | 1 | COPPER ALLOY 0.25t | |
| D | RING-A | 1 | PHOSPHOR BRONZE 0.2t | GOLD PLATING 3-5μ" ON CONTACT SPRING AND CONTACT TAIL AREA, ALL OVER NICKEL PLATING 80~120μ" |
| C | RING-B | 1 | PHOSPHOR BRONZE 0.2t | |
| B | EARTH | 1 | PHOSPHOR BRONZE 0.2t | |
| A | BODY | 1 | HIGH TEMP.THERMOPLASTIC UL 94V-0 | BLACK |

UNLESS OTHERWISE SPECIFIED TOLERANCES

DECIMALS: ANGLES:

X :±0.5 X :±2°
X.X :±0.3 X.X :±1°
X.XX :±0.2

Singatron Enterprise Co., Ltd.
信亨企業股份有限公司

TITLE: 3.5φ PHONE JACK

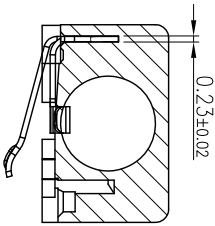
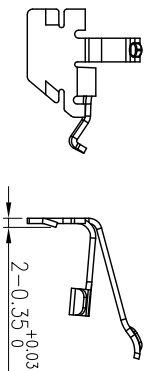
DWN: Angus PART NO.2S13070-000111F

CHKD: Tom SCALE 5:1 UNIT: mm

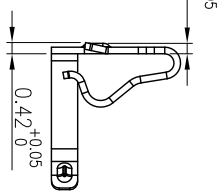
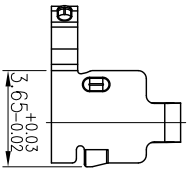
APVD: Max SIZE: A3 SHEET:1 OF 2 REV:C

CUSTOMER COPY

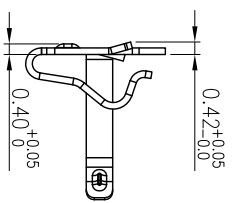
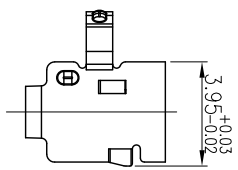
| REV. | ECN NO OR DESCRIPTION | REVISED | DATE |
|------|-----------------------|---------|------------|
| A | PDR NO:1111114-2A | Owen | 2012.6.07 |
| B | ECR NO:S120660 | Owen | 2012.6.19 |
| C | ECN NO:S130365 | Angus | 2013.05.07 |



EARTH與BODY刺破卡合圖
端子刺破與BODY理論干涉量: 0.1~0.17mm

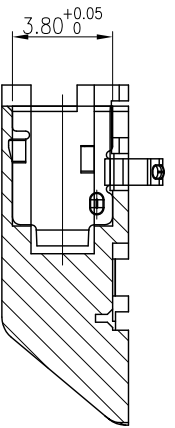
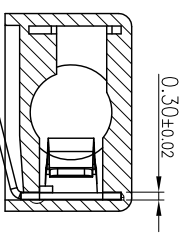
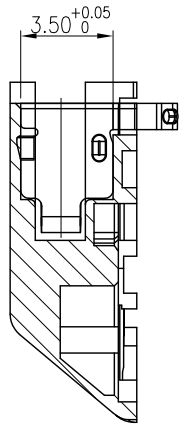
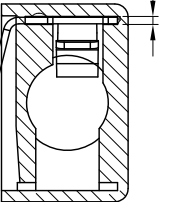


1 2 3 4 5 6 7 8



DET與BODY卡合圖
端子刺破與BODY理論干涉量: 0.1~0.19mm
端子凸包與BODY理論干涉量: 0.08~0.17mm

DET與BODY卡合圖
端子刺破與BODY理論干涉量: 0.08~0.17mm



TIP與BODY卡合圖
端子刺破與BODY理論干涉量: 0.1~0.19mm
端子凸包與BODY理論干涉量: 0.08~0.17mm

TIP與BODY卡合圖
端子刺破與BODY理論干涉量: 0.08~0.17mm

1 2 3 4 5 6 7 8

| NO | DESCRIPTION | QTY | MATERIAL | PLATING & COLOR |
|---------------------------------------|-------------|-------------------------|---------------|-----------------|
| UNLESS OTHERWISE SPECIFIED TOLERANCES | | | | |
| DECIMALS: ANGLES: | | | | |
| X | :±0.5 | X | :±2° | |
| X.X | :±0.3 | X.X | :±1° | |
| X.XX | :±0.2 | | | |
| TITLE: 3.5Ø PHONE JACK | | | | |
| DWN | Angus | PART NO.2S13070-000111F | | |
| CHKD | Tom | SCALE: 5:1 | UNIT: mm | |
| APVD | Max | SIZE: A3 | SHEET: 2 OF 2 | REV: C |

CUSTOMER COPY