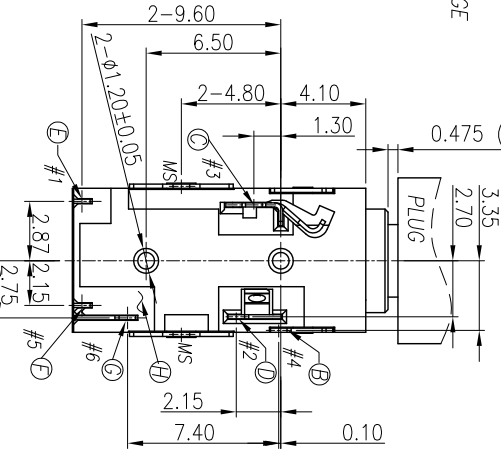
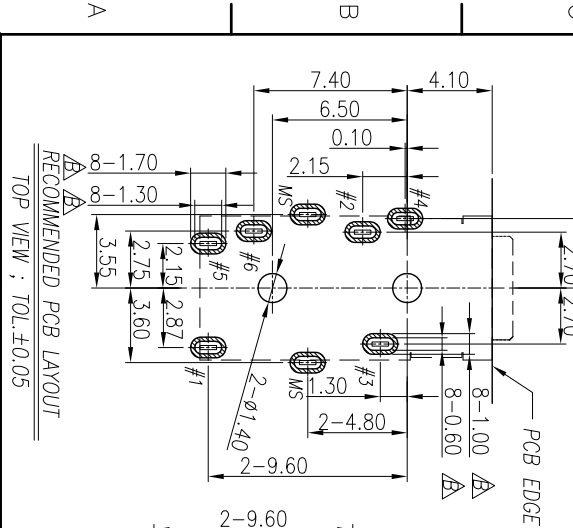
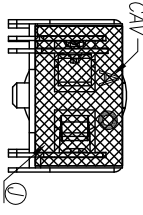
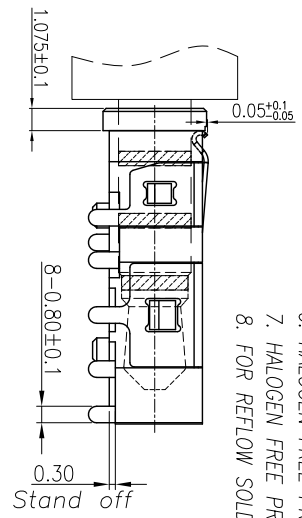
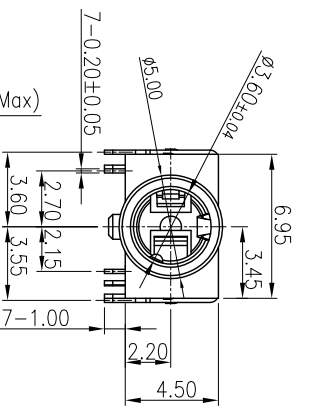
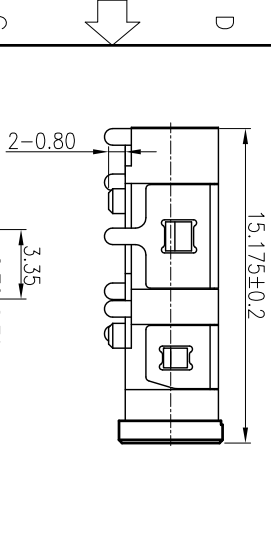
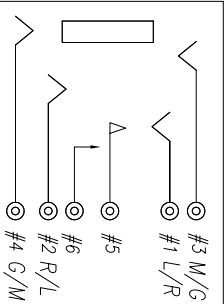


REV.	ECN NO.	OR DESCRIPTION	REVISED	DATE
A	PDR NO:T131017-12A	MARS	MARS	2014.06.20
B	ECN NO:S141156	MARS	MARS	2014.11.28

- SPECIFICATIONS:**
- 1. ELECTRICAL CHARACTERISTICS:**
- 1-1. RATING: 12V 1A
  - 1-2. CONTACT RESISTANCE: 30mΩ MAX. (INITIAL)
  - 1-3. DIELECTRIC WITHSTANDING VOLTAGE: 500V AC FOR ONE MINUTE.
  - 1-4. INSULATION RESISTANCE: 100MΩ MIN. MEASURED BY 500V DC
- 2. MECHANICAL CHARACTERISTICS:**
- 2-1. INSERTION FORCE : 0.3~3.0 KGf
  - 2-2. WITHDRAWAL FORCE : 0.3~3.0 KGf
- 3. LIFE TEST: 5,000 CYCLES MIN.
  - 4. OTHER GENERAL SPEC. TO REFER "2SJ3072 SERIES SPEC."
  - 5. TO CONFORM TO SINGATRON HAZARDOUS SUBSTANCE FREE SPEC.
  - 6. HALOGEN FREE PRODUCT IDENTIFICATION MARK ON PRODUCT:
  - 7. HALOGEN FREE PRODUCT IDENTIFICATION LOGO ON PACKAGING:
  - 8. FOR REFLOW SOLDERING LEAD-FREE PROCESS.



**SCHEMATIC**



J	Mylar	1	0.06T	YELLOW
I	Shell	1	PHOSPHOR BRONZE 0.2t	Ni 60µm Min
H	SEPARATOR	1	LCP E130+30%GF UL 94V-0	BLACK
G	MAKE TERMINAL	1	PHOSPHOR BRONZE 0.2t	
F	TRANSFER TERMINAL	1	PHOSPHOR BRONZE 0.2t	
E	TIP SPRING	1	PHOSPHOR BRONZE 0.2t	GOLD FLASH ON CONTACT AREA GOLD FLASH ON SOLDER TAIL, ALL OVER IN 50 u Min.
D	RING-A	1	PHOSPHOR BRONZE 0.2t	
C	RING-B	1	PHOSPHOR BRONZE 0.2t	
B	EARTH	1	PHOSPHOR BRONZE 0.25t	
A	BODY	1	PA41-30%GF IIIIX1 UL 94V-0	BLACK

UNLESS OTHERWISE SPECIFIED TOLERANCES

Singatron Enterprise Co., Ltd.  
信登企業股份有限公司

DECIMALS:	ANGLES:
X :±0.5	X :±2°
XX :±0.3	X.X :±1°
XXX :±0.2	

TITLE	3.5φ PHONE JACK		
DWN	MARS	PART NO.2SJ3072-107111F	
CHKD	Bruce	SCALE 1:1	UNIT: mm
APVD	SKY	SIZE: A3	SHEET: 1 OF 1
<b>CUSTOMER COPY</b>			

1 2 3 4 5 6 7 8

A B C D E F

TOP VIEW : TOL:±0.05

RECOMMENDED PCB LAYOUT

文#線# 00-06-043-A