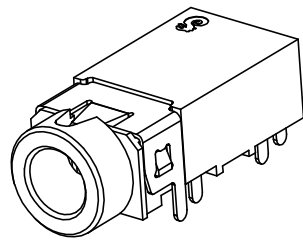
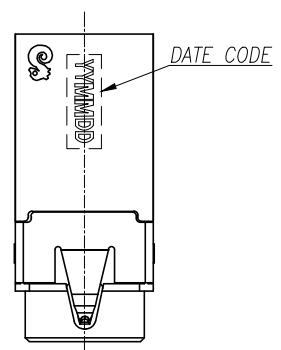
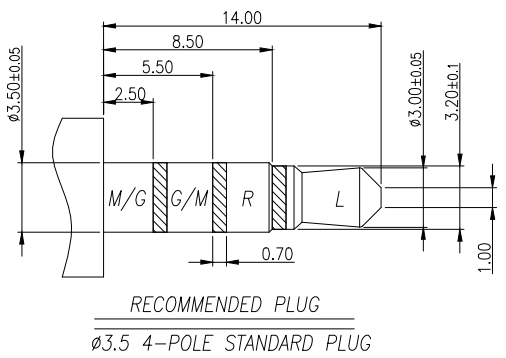
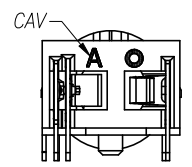
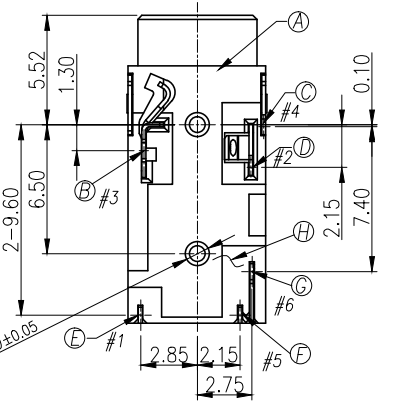
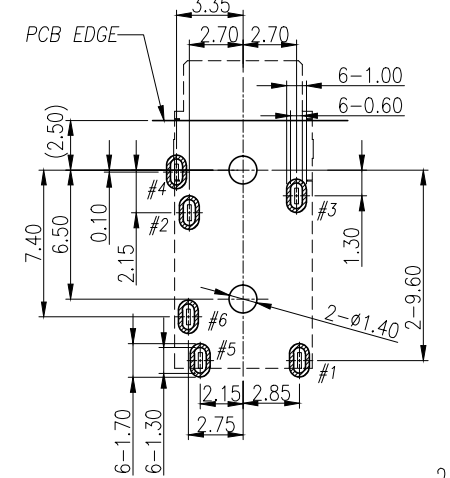
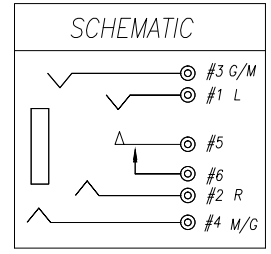
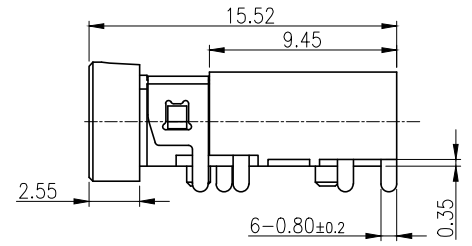
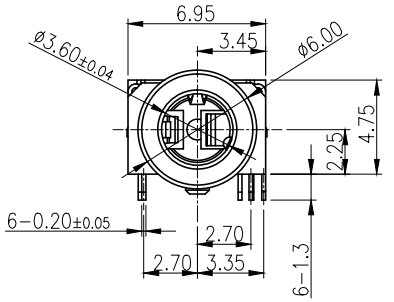
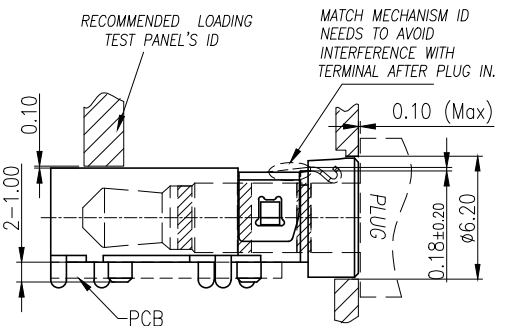


REV.	ECN NO OR DESCRIPTION	REVISED	DATE
A	PDR NO:T160718-3A	Yulin	2016.12.02



- SPECIFICATIONS:
- ELECTRICAL CHARACTERISTICS:
 - 1-1. RATING: 12V 1A
 - 1-2. CONTACT RESISTANCE: 50mΩ MAX.(INITIAL)
 - 1-3. DIELECTRIC WITHSTANDING VOLTAGE: 500V AC FOR ONE MINUTE.
 - 1-4. INSULATION RESISTANCE: 100MΩ MIN. MEASURED BY 500V DC
 - MECHANICAL CHARACTERISTICS:
 - 2-1. INSERTION FORCE : 0.3~3.0 KGf
 - 2-2. WITHDRAWAL FORCE : 0.3~3.0 KGf
 - LIFE TEST: 5,000 CYCLES MIN.
 - OTHER GENERAL SPEC. TO REFER "2SJ3072-112111F SPEC".
 - TO CONFORM TO SINGATRON HAZARDOUS SUBSTANCE FREE SPEC.
 - HALOGEN FREE PRODUCT IDENTIFICATION MARK ON PRODUCT:
 - HALOGEN FREE PRODUCT IDENTIFICATION LOGO ON PACKAGING:
 - FOR REFLOW SOLDERING LEAD-FREE PROCESS.



RECOMMENDED PCB LAYOUT
TOP VIEW ; TOL.±0.05

NO	DESCRIPTION	QTY	MATERIAL	PLATING & COLOR
H	SEPARATOR	1	HIGH TEMP.THERMOPLASTIC UL 94V-0	BLACK
G	MAKE TERMINAL	1	PHOSPHOR BRONZE 0.2t	GOLD FLASH ON CONTACT AREA; GOLD FLASH ON SOLDER AREA; ALL OVER NICKEL 50u" MIN. PLATING
F	TRANSFER TERMINAL	1	PHOSPHOR BRONZE 0.2t	
E	TIP SPRING	1	PHOSPHOR BRONZE 0.2t	
D	RING-A	1	PHOSPHOR BRONZE 0.2t	
C	EARTH	1	PHOSPHOR BRONZE 0.2t	
B	RING-B	1	PHOSPHOR BRONZE 0.2t	BLACK
A	BODY	1	HIGH TEMP.THERMOPLASTIC UL 94V-0	

UNLESS OTHERWISE SPECIFIED TOLERANCES		Singatron Enterprise Co., Ltd. 信音企業股份有限公司		
DECIMALS:	ANGLES:	TITLE 3.5ø PHONE JACK		
X :±0.5	X :±2°	DWN	Yulin	PART NO.2SJ3072-112111F
X.X :±0.3	X.X :±1°	CHKD	Bruce	SCALE 1:1 UNIT: mm
X.XX :±0.2		APVD	Lussen	SIZE: A3 SHEET:1 OF 1 REV: A
CUSTOMER COPY				