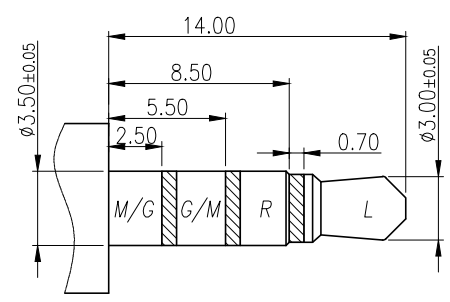
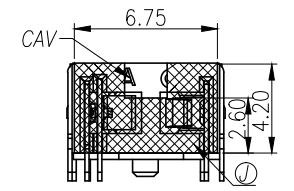
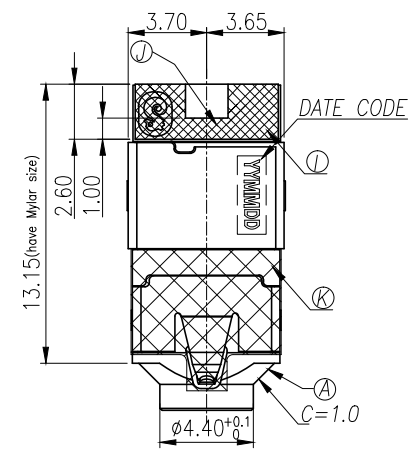


REV.	ECN NO OR DESCRIPTION	REVISED	DATE
A	PDR NO:T161230-2A	Steven	2017.12.14



RECOMMENDED PLUG
ø3.5 4-POLE STANDARD PLUG

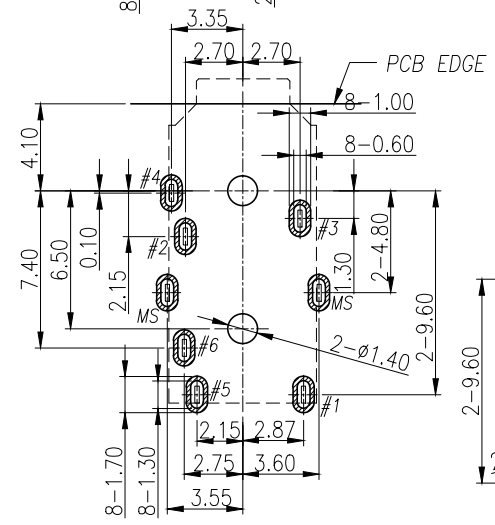
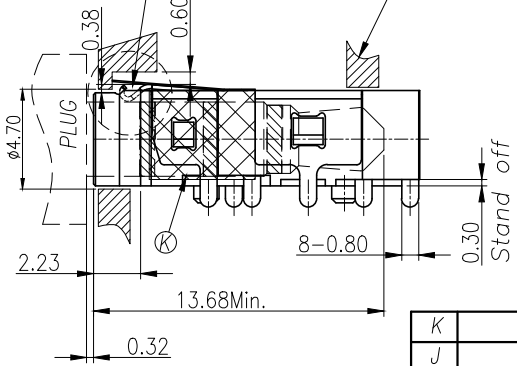
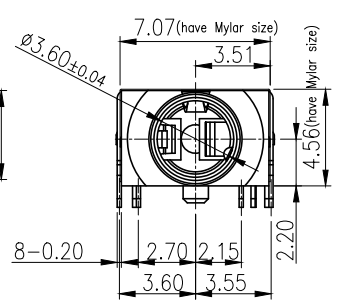
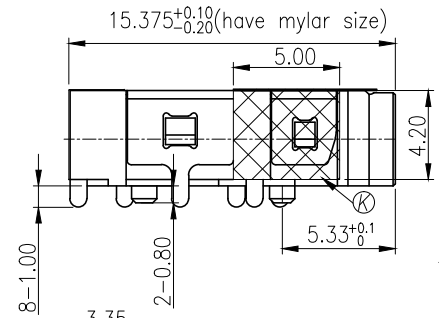


MATCH MECHANISM ID
NEEDS TO AVOID
INTERFERENCE WITH
TERMINAL AFTER PLUG IN.

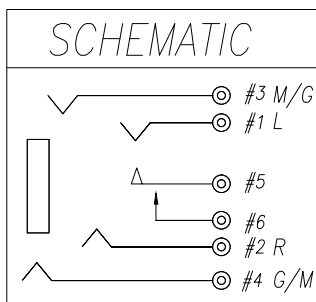
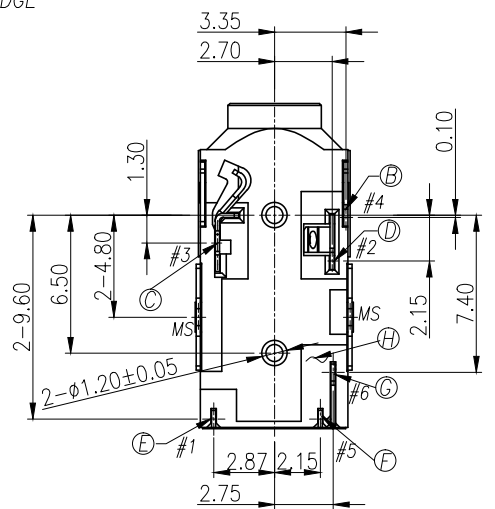
RECOMMENDED LOADING
TEST PANEL'S ID

SPECIFICATIONS:

- ELECTRICAL CHARACTERISTICS:
 - 1-1. RATING: 12V 1A
 - 1-2. CONTACT RESISTANCE: 50mΩ MAX.(INITIAL)
 - 1-3. DIELECTRIC WITHSTANDING VOLTAGE: 500V AC FOR ONE MINUTE.
 - 1-4. INSULATION RESISTANCE: 100MΩ MIN. MEASURED BY 500 VDC.
- MECHANICAL CHARACTERISTICS:
 - 2-1. INSERTION FORCE: INITIAL 0.3-3.0Kgf;
 - 2-2. WITHDRAWAL FORCE: INITIAL 0.3-3.0Kgf;
- LIFE TEST: 5,000 CYCLES MIN.
AFTER LIFE TEST, CONTACT RESISTANCE: 100mΩ MAX.
- PACKAGING : TAPE & REEL.
- AFTER HUMIDITY TEST, INSULATION RESISTANCE: 50MΩ MIN.
- TO CONFORM TO SINGATRON HAZARDOUS SUBSTANCE FREE SPEC.
- HALOGEN FREE PRODUCT IDENTIFICATION MARK ON PRODUCT:
- HALOGEN FREE PRODUCT IDENTIFICATION LOGO ON PACKAGING:
- FOR REFLOW SOLDERING LEAD-FREE PROCESS.
- PRINTED DATE CODE "YYMMDD-" ON TOP OF CONNECTOR.
- PLEASE PUT THE PRODUCT IN A CONDITION WHERE IS FULL OF NITROGEN WHEN PASS THE IR REFLOW



RECOMMENDED PCB LAYOUT
TOP VIEW ; TOL.±0.05



K	MYLAR-2	1	0.06 T	YELLOW
J	MYLAR-1	1	0.05 T	YELLOW
I	SHELL	1	C5210-EH 0.2T	Ni 60uin Min
H	SEPARATOR	1	LCP E130I+30%GF UL 94V-0	BLACK
G	MAKE TERMINAL	1	C5210-EH 0.2T	GOLD FLASH ON CONTACT AREA, GOLD FLASH ON SOLDER TAIL; ALL OVER Ni 50 u" Min.
F	TRANSFER TERMINAL	1	C5210-EH 0.2T	
E	TIP SPRING	1	C5210-EH 0.2T	
D	RING-A	1	C5210-EH 0.2T	
C	RING-B	1	C5210-EH 0.2T	
B	EARTH	1	C5210-EH 0.2T	
A	BODY	1	PA9T-45%GF UL 94V-0	Pantone color Gray 4C
NO	DESCRIPTION	QTY	MATERIAL	PLATING & COLOR

UNLESS OTHERWISE SPECIFIED TOLERANCES		Singatron Enterprise Co., Ltd. 信音企業股份有限公司	
DECIMALS:	ANGLES:	TITLE	3.5ø PHONE JACK
X : ±0.5	X : ±2'	DWN	Steven PART NO.2SJ3072-117111F
X.X : ±0.3	X.X : ±1'	CHKD	Bruce SCALE 1:1 UNIT: mm
X.XX : ±0.2		APVD	Lussen SIZE: A3 SHEET: 1 OF 1 REV:A
CUSTOMER COPY			