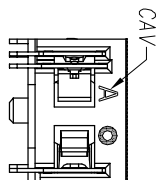
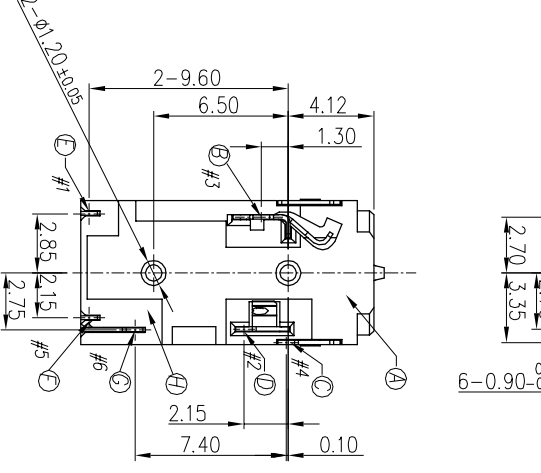
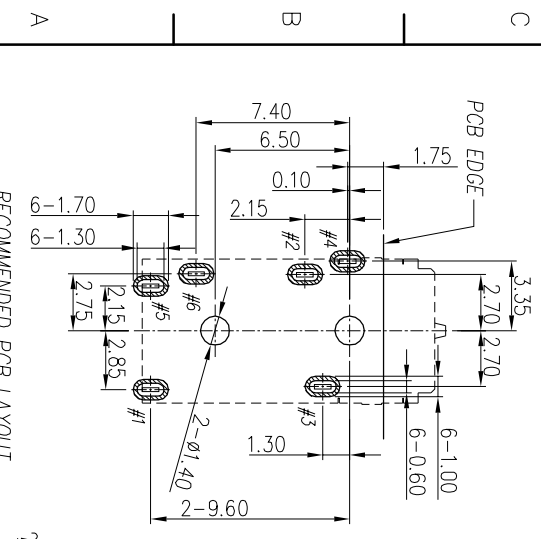
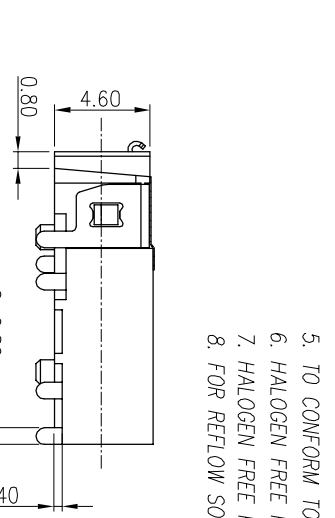
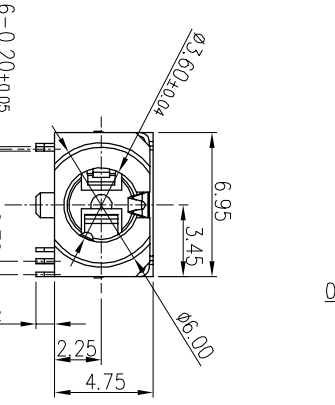
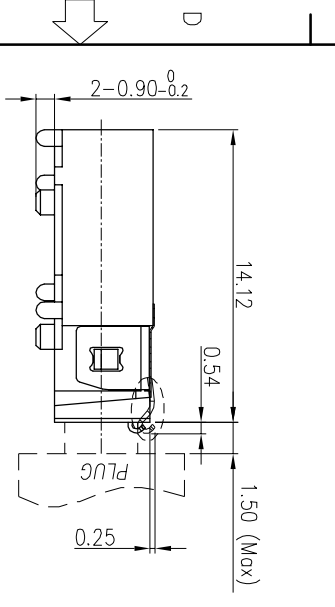


- SPECIFICATIONS:**
- ELECTRICAL CHARACTERISTICS:**
 - 1-1. RATING: 12V 1A
 - 1-2. CONTACT RESISTANCE: 30mΩ MAX (INITIAL)
 - 1-3. DIELECTRIC WITHSTANDING VOLTAGE: 500V AC FOR ONE MINUTE.
 - 1-4. INSULATION RESISTANCE: 100MΩ MIN. MEASURED BY 500V DC
 - MECHANICAL CHARACTERISTICS:**
 - 2-1. INSERTION FORCE : 0.3~3.0 KGF
 - 2-2. WITHDRAWAL FORCE : 0.3~3.0 KGF
 3. LIFE TEST: 5,000 CYCLES MIN.
 4. OTHER GENERAL SPEC. TO REFER "2SJ3072 SERIES SPEC".
 5. TO CONFORM TO SINGATRON HAZARDOUS SUBSTANCE FREE SPEC.
 6. HALOGEN FREE PRODUCT IDENTIFICATION MARK ON PRODUCT:
 7. HALOGEN FREE PRODUCT IDENTIFICATION LOGO ON PACKAGING:
 8. FOR REFLOW SOLDERING LEAD-FREE PROCESS.



RECOMMENDED PCB LAYOUT
TOP VIEW ; TOL.±0.05

1 2 3 4 5 6 7 8

REV	ECN NO	OR DESCRIPTION	REVISED	DATE
A	PDR NO: T140729-5A		Kevin	2014.10.15

I	MYLAR	1	KAPTON TO.06mm	YELLOW
H	SEPARATOR	1	HIGH TEMP.THERMOPLASTIC UL 94V-0	BLACK
G	MAKE TERMINAL	1	PHOSPHOR BRONZE 0.21	
F	TRANSFER TERMINAL	1	PHOSPHOR BRONZE 0.21	
E	TIP SPRING	1	PHOSPHOR BRONZE 0.21	
D	RING-A	1	PHOSPHOR BRONZE 0.21	
C	EARTH	1	PHOSPHOR BRONZE 0.21	
B	RING-B	1	PHOSPHOR BRONZE 0.21	
A	BODY	1	HIGH TEMP.THERMOPLASTIC UL 94V-0	BLACK
NO	DESCRIPTION	QTY	MATERIAL	PLATING & COLOR

UNLESS OTHERWISE SPECIFIED TOLERANCES		Singatron Enterprise Co., Ltd. 信登企業股份有限公司	
DECIMALS:	ANGLES:	3.50 PHONE JACK	
X : ±0.5	X : ±2°		
XX : ±0.3	XX : ±1°		
XXX : ±0.2			
TITLE		PART NO. 2SJ3072-200111F	
CHKD		SCALE 1:1 UNIT: mm	
APVD		SIZE: A3 SHEET: 1 OF 1 REV: A	
CUSTOMER COPY			