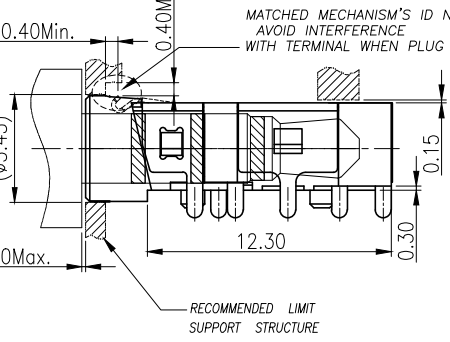
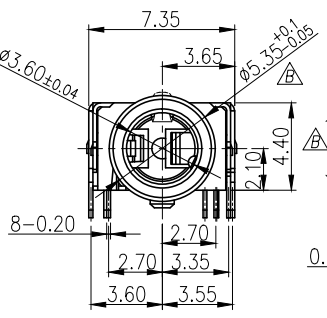
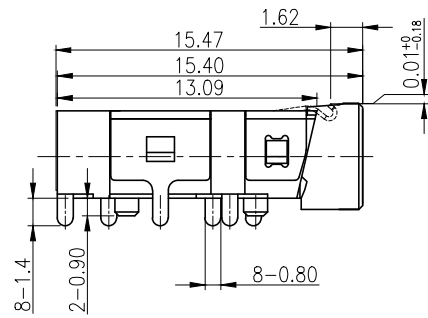
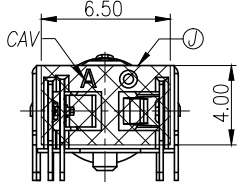
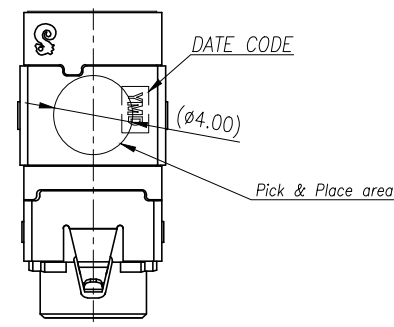
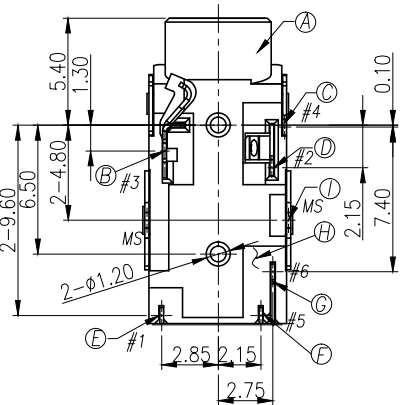
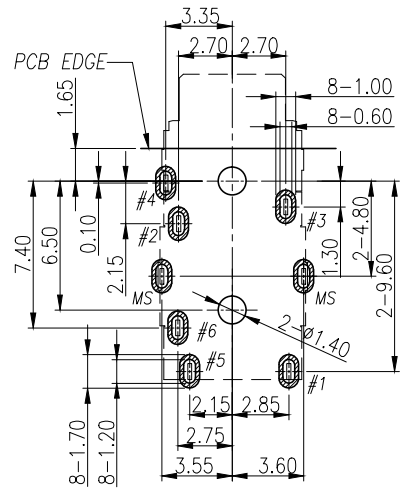


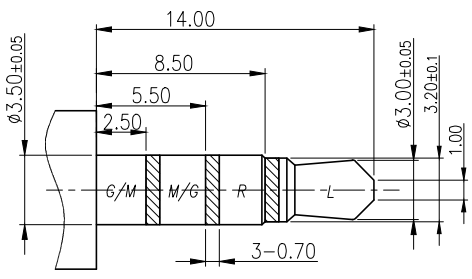
REV.	ECN NO OR DESCRIPTION	REVISED	DATE
A	PDR NO:T180502-1A	Qing	2018.12.24
B	ECN NO:S201910-C42	Julia	2019.12.25



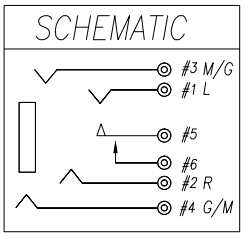
- SPECIFICATIONS:
- ELECTRICAL CHARACTERISTICS:
 - RATING: 12V 1A
 - CONTACT RESISTANCE: 50mΩ MAX.(INITIAL)
 - DIELECTRIC WITHSTANDING VOLTAGE: 500V AC FOR ONE MINUTE.
 - INSULATION RESISTANCE: 100MΩ MIN. MEASURED BY 500 VDC.
 - MECHANICAL CHARACTERISTICS:
 - INSERTION FORCE: INITIAL 0.3-3.0Kgf;
 - WITHDRAWAL FORCE: INITIAL 0.3-3.0Kgf;
 - LIFE TEST: 5,000 CYCLES MIN.
AFTER LIFE TEST, CONTACT RESISTANCE: 100mΩ MAX.
 - PACKAGING : TAPE & REEL.
 - AFTER HUMIDITY TEST, INSULATION RESISTANCE: 50MΩ MIN.
 - TO CONFORM TO SINGATRON HAZARDOUS SUBSTANCE FREE SPEC.
 - HALOGEN FREE PRODUCT IDENTIFICATION MARK ON PRODUCT:
 - HALOGEN FREE PRODUCT IDENTIFICATION LOGO ON PACKAGING:
 - FOR REFLOW SOLDERING LEAD-FREE PROCESS.
 - PRINTED DATE CODE "YMD" ON TOP OF CONNECTOR.



RECOMMENDED PCB LAYOUT
TOP VIEW ; TOL.±0.05



RECOMMENDED PLUG
ø3.5 4-POLE STANDARD PLUG



J	MYLAR	1	KAPTON+GLUE 0.07t	YELLOW
I	SHIELD	1	PHOSPHOR BRONZE 0.2t	Ni 60uIn Min
H	SEPARATOR	1	HIGH TEMP.THERMOPLASTIC UL 94V-0	BLACK
G	MAKE TERMINAL	1	PHOSPHOR BRONZE 0.2t	GOLD FLASH ON CONTACT AREA; GOLD FLASH ON SOLDER AREA; ALL OVER NICKEL 50u" MIN. PLATING
F	TRANSFER TERMINAL	1	PHOSPHOR BRONZE 0.2t	
E	TIP SPRING	1	SUS304-1/2H 0.2t	
D	RING-A	1	PHOSPHOR BRONZE 0.2t	
C	EARTH	1	PHOSPHOR BRONZE 0.2t	BLACK
B	RING-B	1	PHOSPHOR BRONZE 0.2t	
A	BODY	1	HIGH TEMP.THERMOPLASTIC UL 94V-0	BLACK
NO	DESCRIPTION	QTY	MATERIAL	PLATING & COLOR

UNLESS OTHERWISE SPECIFIED TOLERANCES		Singatron Enterprise Co., Ltd. 信音企業股份有限公司	
DECIMALS:	ANGLES:	TITLE	
X :±0.5	X :±2°	3.5ø AUDIO JACK	
X.X :±0.3	X.X :±1°	DWN	Julia PART NO.2SJ3072-283111F
X.XX :±0.2		CHKD	Bruce SCALE 1:1 UNIT: mm
		APVD	Liao SIZE: A3 SHEET:1 OF 1 REV:B
CUSTOMER COPY			