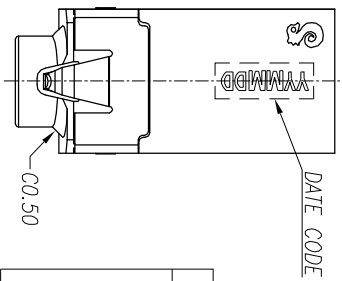
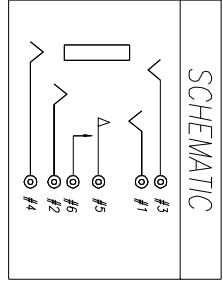


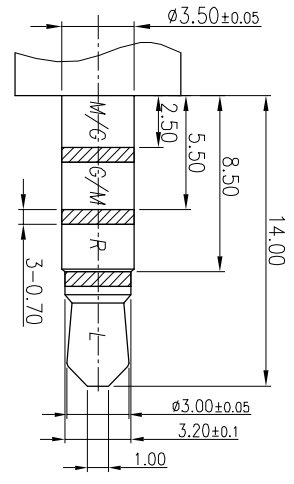
REV.	ECN NO.	OR DESCRIPTION	REVISED	DATE
A	PDR NO:TT51125-2A	Peng	2016.5.3	

SPECIFICATIONS:

- ELECTRICAL CHARACTERISTICS:
 - RATING: 12V 1A
 - CONTACT RESISTANCE: 50mΩ MAX (INITIAL)
 - DIELECTRIC WITHSTANDING VOLTAGE: 500V AC FOR ONE MINUTE.
 - INSULATION RESISTANCE: 100MΩ MIN. MEASURED BY 500V DC
- MECHANICAL CHARACTERISTICS:
 - INSERTION FORCE : 0.3~3.0 KGf
 - WITHDRAWAL FORCE : 0.3~3.0 KGf
 - LIFE TEST: 5,000 CYCLES MIN.
 - OTHER GENERAL SPEC. TO REFER "2SJ3072-300111F SPEC".
 - TO CONFORM TO SINGATRON HAZARDOUS SUBSTANCE FREE SPEC.
 - HALOGEN FREE PRODUCT IDENTIFICATION MARK ON PACKAGING:
 - HALOGEN FREE PRODUCT IDENTIFICATION LOGO ON PACKAGING:
 - FOR REFLOW SOLDERING LEAD-FREE PROCESS.
 - OVERLOAD FORCE: < 4KGf.

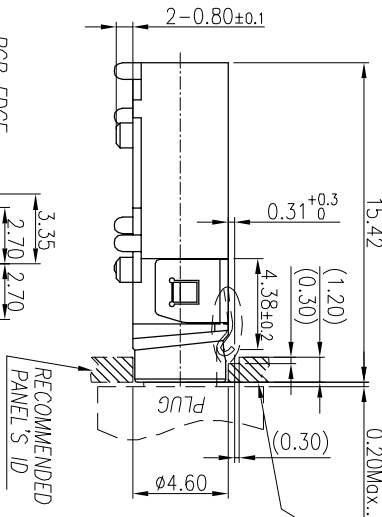
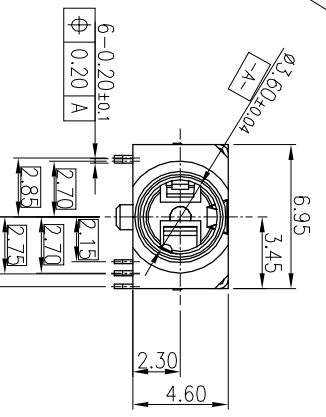
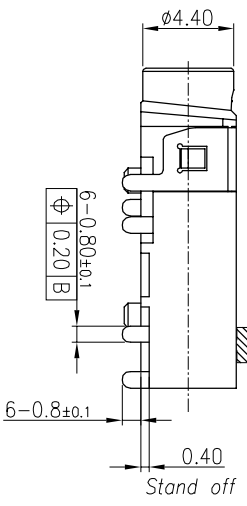


RECOMMENDED PLUG
Ø3.5 4-POLE STANDARD PLUG

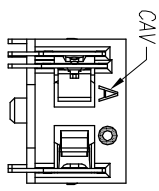
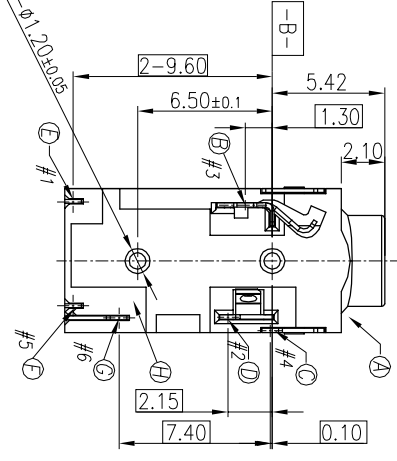
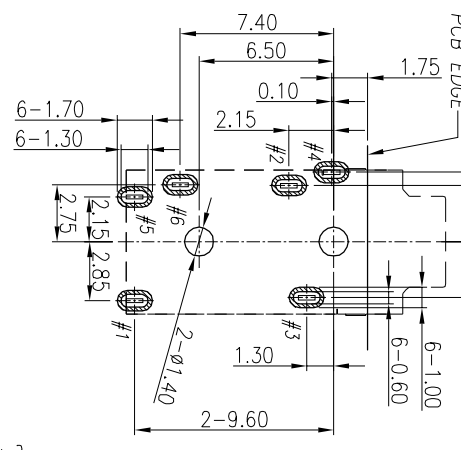


MATCHED MECHANISM'S ID NEED TO AVOID INTERFERENCE WITH TERMINAL AFTER PLUG IN

RECOMMENDED LOADING TEST PANEL'S ID



RECOMMENDED PCB LAYOUT
TOP VIEW ; TOL.±0.05



H	SEPARATOR	1	LCP E130H-30%GF-UL94-V0	BLACK
G	MAKE TERMINAL	1	C5210-EH, 0.2T	
F	TRANSFER TERMINAL	1	C5210-EH, 0.2T	
E	TIP SPRING	1	C5210-EH, 0.2T	
D	RING-A	1	C5210-EH, 0.2T	
C	EARTH	1	C5210-EH, 0.2T	
B	RING-B	1	C5210-EH, 0.2T	
A	BODY	1	PA4T(X1)+30% GF,UL94-V0	BLACK
NO	DESCRIPTION	QTY	MATERIAL	PLATING & COLOR

UNLESS OTHERWISE SPECIFIED TOLERANCES

Singatron Enterprise Co., Ltd.
信音企業股份有限公司

DECIMALS: ANGLES: TITLE

X :±0.5 X :±2°
X.X :±0.3 X.X :±1°
X.XX :±0.2

DWN Peng PART NO.2SJ3072-300111F
CHKD Bruce SCALE 1:1 UNIT: mm
APVD Lussen SIZE: A3 SHEET:1 OF 1 REV: A

CUSTOMER COPY