

REV. EGN NO OR DESCRIPTION REVISED DATE

A	PDR NO: T181003-1A	Qing	2019.03.07
---	--------------------	------	------------

SPECIFICATIONS:

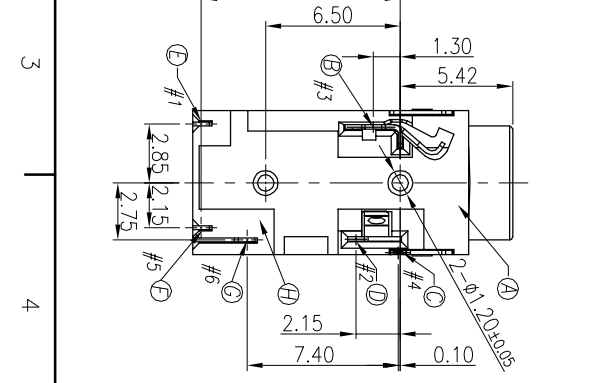
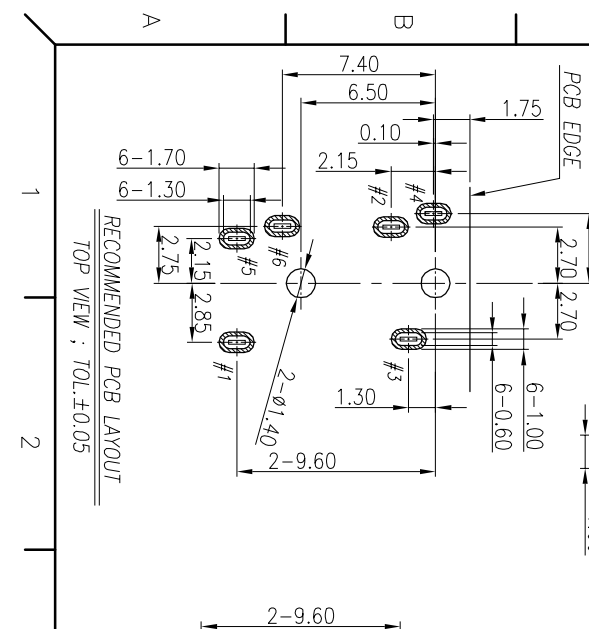
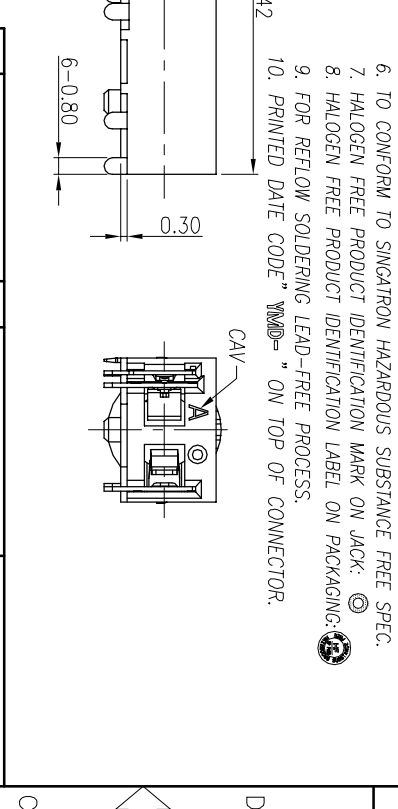
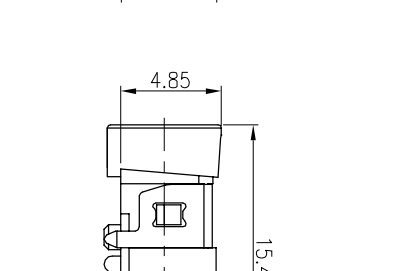
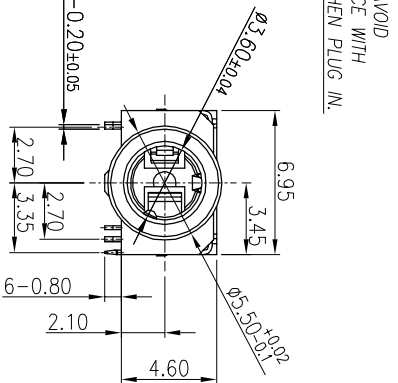
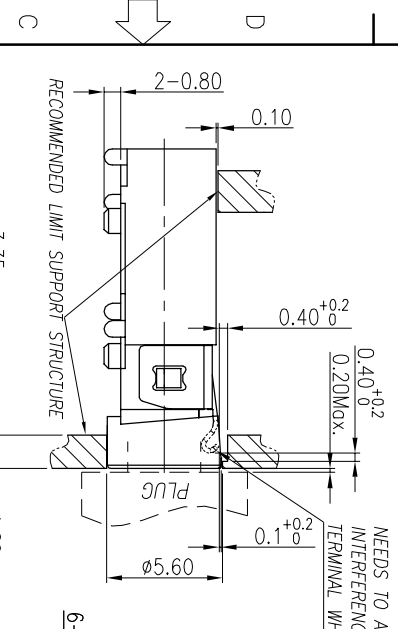
1. ELECTRICAL CHARACTERISTICS:

- 1-1. RATING: 12V 1A
- 1-2. CONTACT RESISTANCE: 50mΩ MAX (INITIAL)
- 1-3. DIELECTRIC WITHSTANDING VOLTAGE: 500V AC FOR ONE MINUTE.
- 1-4. INSULATION RESISTANCE: 100MΩ MIN. MEASURED BY 500 VDC.

2. MECHANICAL CHARACTERISTICS:

- 2-1. INSERTION FORCE: 0.3~3.0kgf ;
- 2-2. WITHDRAWAL FORCE: 0.3~3.0kgf;

- 3. LIFE TEST: 5 000 CYCLES MIN.
- 4. AFTER LIFE TEST, CONTACT RESISTANCE: 120mΩ MAX.
- 5. PACKAGING : TAPE & REEL.
- 6. TO CONFORM TO SINGATRON HAZARDOUS SUBSTANCE FREE SPEC.
- 7. HALOGEN FREE PRODUCT IDENTIFICATION MARK ON JACK:
- 8. HALOGEN FREE PRODUCT IDENTIFICATION LABEL ON PACKAGING:
- 9. FOR REFLOW SOLDERING LEAD-FREE PROCESS.
- 10. PRINTED DATE CODE "MMDD" ON TOP OF CONNECTOR.



H	SEPARATOR	1	HIGH TEMP THERMOPLASTIC	UL 94V-0	BLACK
G	MAKE TERMINAL	1	PHOSPHOR BRONZE 0.2t		
F	TRANSFER TERMINAL	1	PHOSPHOR BRONZE 0.2t		
E	TIP SPRING	1	SUS304-1/2H, 0.2t		
D	RING-A	1	PHOSPHOR BRONZE 0.2t		GOLD FLASH ON CONTACT AREA; GOLD FLASH ON SOLDER AREA; ALL OVER NICKEL 50μ" MIN. PLATING
C	EARTH	1	PHOSPHOR BRONZE 0.2t		
B	RING-B	1	PHOSPHOR BRONZE 0.2t		
A	BODY	1	HIGH TEMP THERMOPLASTIC	UL 94V-0	BLACK

UNLESS OTHERWISE SPECIFIED TOLERANCES

DECIMALS: ANGLES:

X :±0.5 X :±2°
X.X :±0.3 X.X :±1°
X.XX :±0.2

TITLE 3.5Ø AUDIO JACK

DWN Qing **PART NO.** 2S33072-308111F

CHKD Bruce **SCALE** 1:1 **UNIT:** mm

APVD Liao **SIZE:** A3 **SHEET:** 1 OF 1 **REV:** A

Singatron Enterprise Co., Ltd.
信營企業股份有限公司

CUSTOMER COPY