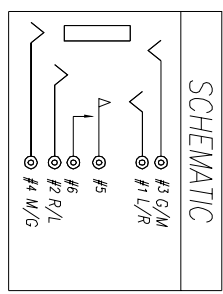
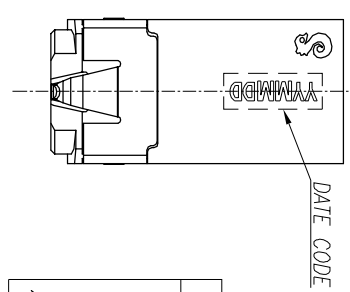
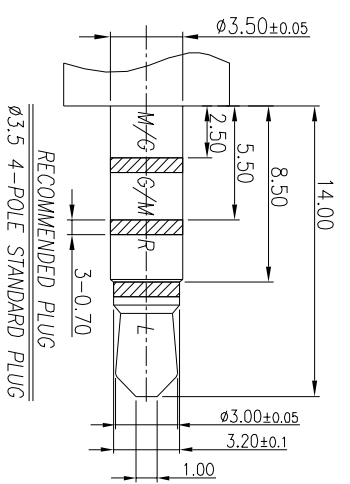
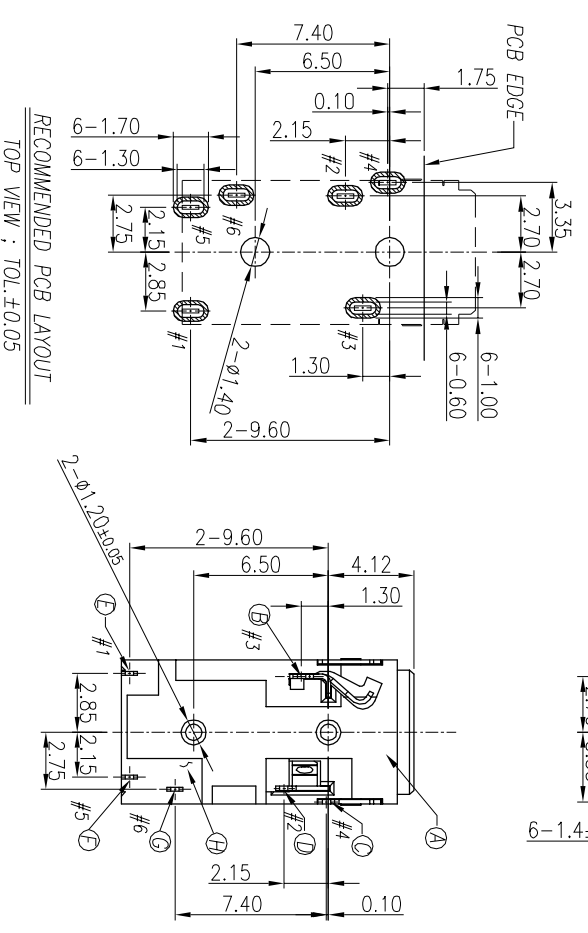
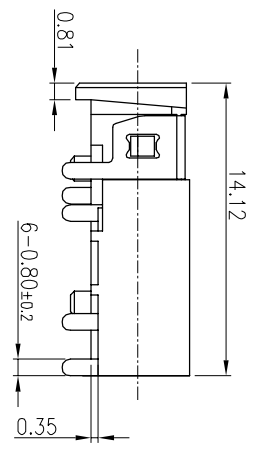
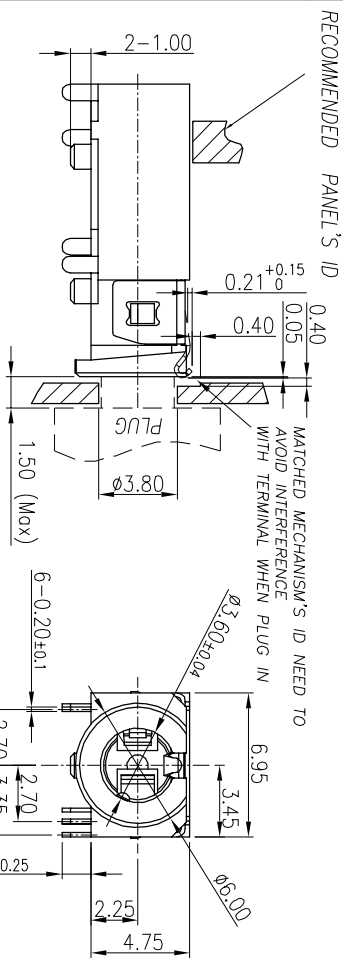


REV	ECN NO OR DESCRIPTION	REVISED	DATE
A	PDR NO:TT181008-1A	Bruce	2019.07.10



- SPECIFICATIONS:
- ELECTRICAL CHARACTERISTICS:
 - RATING: 12V 1A
 - CONTACT RESISTANCE: 30mΩ MAX.(INITIAL)
 - DIELECTRIC WITHSTANDING VOLTAGE: 500V AC FOR ONE MINUTE.
 - INSULATION RESISTANCE: 100MΩ MIN. MEASURED BY 500V DC
 - MECHANICAL CHARACTERISTICS:
 - INSERTION FORCE : 0.3~3.0 KGF
 - WITHDRAWAL FORCE : 0.3~3.0 KGF
 - LIFE TEST: 5,000 CYCLES MIN.
 - OTHER GENERAL SPEC. TO REFER "2SJ3072 SERIES SPEC."
 - TO CONFORM TO SINGATRON HAZARDOUS SUBSTANCE FREE SPEC.
 - HALOGEN FREE PRODUCT IDENTIFICATION MARK ON PRODUCT:
 - HALOGEN FREE PRODUCT IDENTIFICATION LOGO ON PACKAGING:
 - FOR REFLOW SOLDERING LEAD-FREE PROCESS.



RECOMMENDED PCB LAYOUT
TOP VIEW ; TOL.±0.05

H	SEPARATOR	1	HIGH TEMP.THERMOPLASTIC	UL 94V-0	BLACK
G	MAKE TERMINAL	1	PHOSPHOR BRONZE	0.2t	
F	TRANSFER TERMINAL	1	PHOSPHOR BRONZE	0.2t	
E	TIP SPRING	1	SUS	0.2t	
D	RING-A	1	PHOSPHOR BRONZE	0.2t	GOLD FLASH ON CONTACT AREA; GOLD FLASH ON SOLDER AREA; ALL OVER NICKEL 50μm MIN. PLATING
C	EARTH	1	PHOSPHOR BRONZE	0.2t	
B	RING-B	1	PHOSPHOR BRONZE	0.2t	
A	BODY	1	HIGH TEMP.THERMOPLASTIC	UL 94V-0	BLACK

UNLESS OTHERWISE SPECIFIED TOLERANCES

Singatron Enterprise Co., Ltd.
信亨企業股份有限公司

DECIMALS:	ANGLES:	TITLE	3.5Ø AUDIO JACK
X :±0.5	X :±2°	DWN	Bruce
X.X :±0.3	X.X :±1°	CHKD	Lussen
X.XX :±0.2		APVD	Liao

CUSTOMER COPY