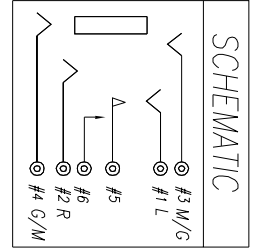
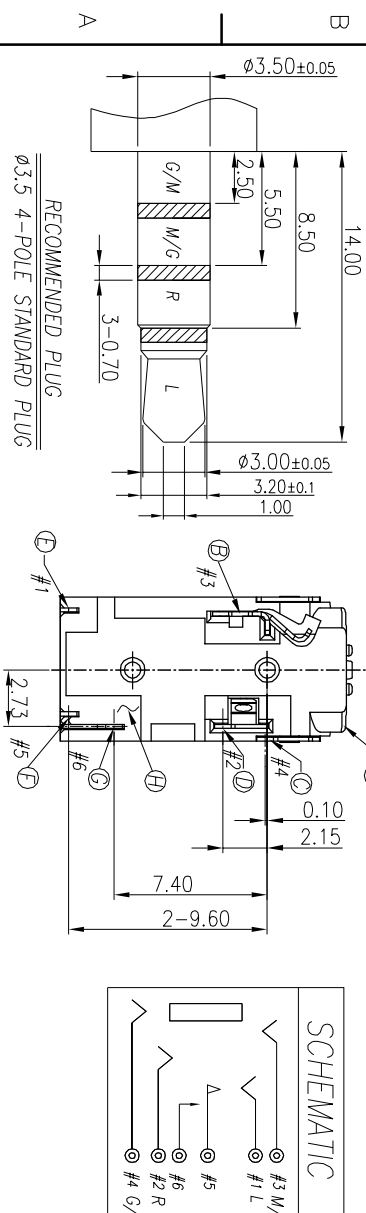
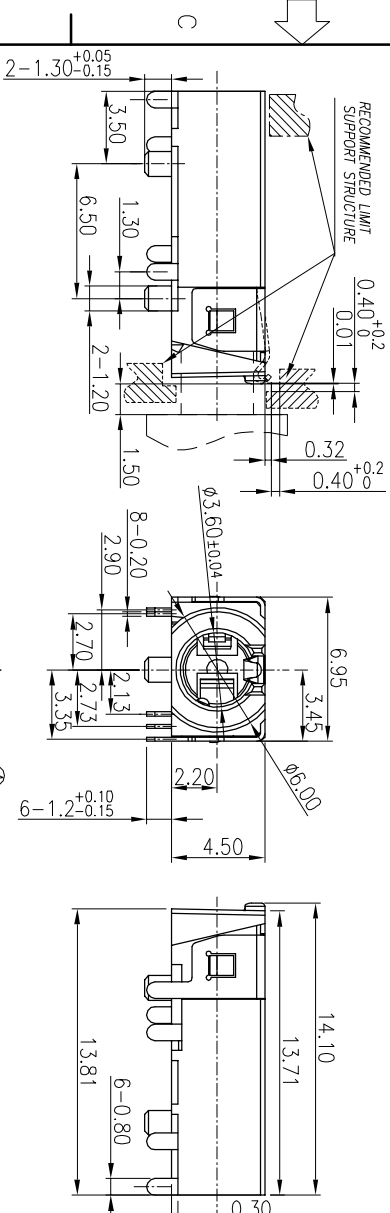


RECOMMENDED PCB LAYOUT  
TOP VIEW : TOL. ±0.05



- SPECIFICATIONS:
1. ELECTRICAL CHARACTERISTICS:
    - 1-1. RATING: 12V 1A
    - 1-2. CONTACT RESISTANCE: 50mΩ MAX.(INITIAL)
    - 1-3. DIELECTRIC WITHSTANDING VOLTAGE: 500V AC FOR ONE MINUTE.
    - 1-4. INSULATION RESISTANCE: 100MΩ MIN. MEASURED BY 500 VDC.
  2. MECHANICAL CHARACTERISTICS:
    - 2-1. INSERTION FORCE: 0.8~3.0kgf INITIAL ; 2.5 kgf Max. 0.6~1.8kgf INITIAL; 0.5 kgf Min.
    - 2-2. WITHDRAWAL FORCE: 0.5 kgf Min.
  3. LIFE TEST: 2,000 CYCLES MIN. AFTER LIFE TEST, CONTACT RESISTANCE: 100mΩ MAX.
  4. AFTER HUMIDITY TEST, INSULATION RESISTANCE: 50MΩ MIN.
  5. MARKING: MARK "S" ON TOP OF CONNECTOR.
  6. PACKING : TAPE & REEL.
  7. TO CONFORM TO SINGATRON HAZARDOUS SUBSTANCE FREE SPEC.
  8. HALOGEN FREE PRODUCT IDENTIFICATION MARK ON JACK:
  9. HALOGEN FREE PRODUCT IDENTIFICATION LABEL ON PACKAGING:
  10. PRINTED DATE CODE "MMD" ON TOP OF CONNECTOR.

TABLE 1 :

P/N	PLATING SPEC
2SJS072-311111F	GOLD FLASH ON CONTACT AREA
2SJS072-311211F	Au 30μ" ON CONTACT AREA

H	SEPARATOR	1	HIGH TEMP.THERMOPLASTIC UL 94V-0	BLACK
G	MAKE TERMINAL	1	PHOSPHOR BRONZE 0.2t	GOLD FLASH ON CONTACT AREA; GOLD FLASH ON SOLDER AREA; ALL OVER MINDET 300 μM. PLATING
F	TRANSFER TERMINAL	1	PHOSPHOR BRONZE 0.2t	GOLD FLASH ON CONTACT AREA; GOLD FLASH ON SOLDER AREA; ALL OVER MINDET 300 μM. PLATING
E	TIP SPRING	1	STAINLESS STEEL 0.2t	
D	RING-A	1	PHOSPHOR BRONZE 0.2t	G/F OR Au 30μ" ON CONTACT AREA; GOLD FLASH ON SOLDER AREA; ALL OVER 500 μM.
C	EARTH	1	PHOSPHOR BRONZE 0.2t	
B	RING-B	1	PHOSPHOR BRONZE 0.2t	
A	BODY	1	HIGH TEMP.THERMOPLASTIC UL 94V-0	BLACK
NO	DESCRIPTION	QTY	MATERIAL	PLATING & COLOR

UNLESS OTHERWISE SPECIFIED TOLERANCES

DECIMALS: ANGLES:

X	:±0.5	X	:±2°
X.X	:±0.3	X.X	:±1'
X.XX	:±0.2		

Singatron Enterprise Co., Ltd.  
信登企業股份有限公司

3.5Ø AUDIO JACK

PART NO. 2SJS072-311X11F

SCALE 1:1

UNIT: mm

SHEET: 1 OF 1

REV: A

CUSTOMER COPY

REV.	ECN NO. OR DESCRIPTION	REVISED	DATE
A	PDR NO:1190319-1A&1B	RAINY	2019.09.24