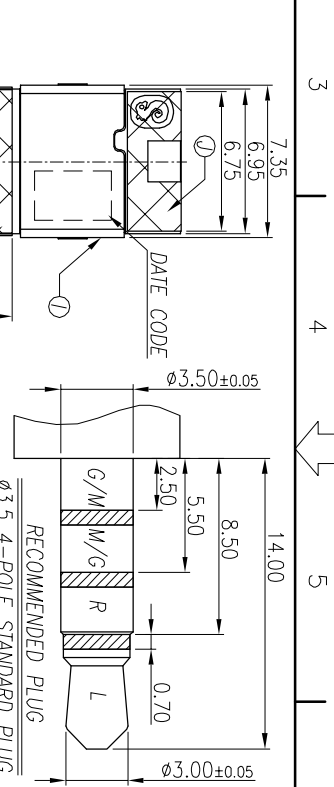
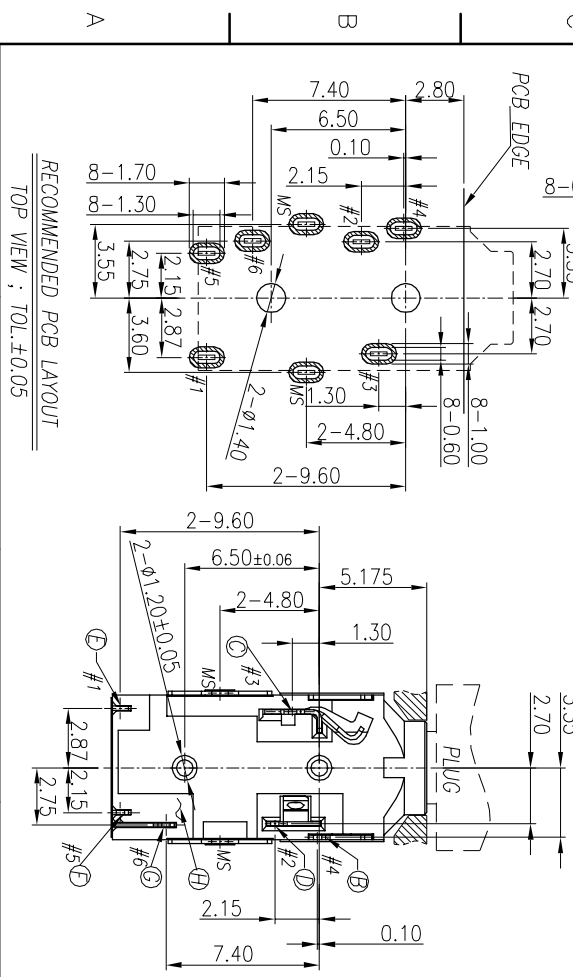
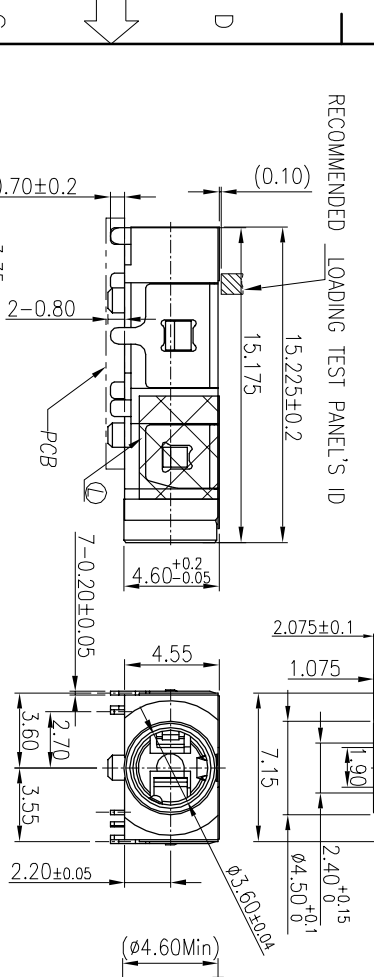
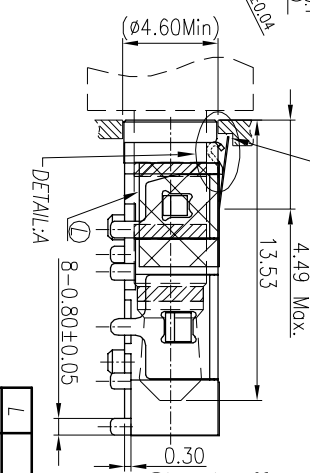


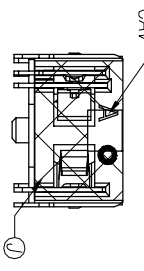
RECOMMENDED LOADING TEST PANEL'S ID POSITION WHEN PLUG-IN



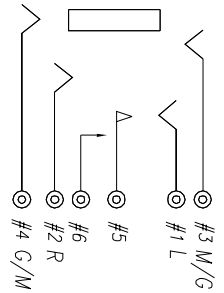
MATCH MECHANISM ID NEEDS TO AVOID INTERFERENCE WITH TERMINAL AFTER PLUG IN.



- SPECIFICATIONS:
- ELECTRICAL CHARACTERISTICS:
 - RATING: 12V 1A
 - CONTACT RESISTANCE: 50mΩ MAX. (INITIAL)
 - DIELECTRIC WITHSTANDING VOLTAGE: 500V AC FOR ONE MINUTE.
 - INSULATION RESISTANCE: 100MΩ MIN. MEASURED BY 500 VDC.
 - MECHANICAL CHARACTERISTICS:
 - INSERTION FORCE: 0.8 - 3.0kgf; WITHDRAWAL FORCE: 0.6 - 1.8kgf.
 - AFTER 2000 TIMES INSERTION FORCE: 2.5kgf Max. WITHDRAWAL FORCE: 0.5kgf Min.
 - LIFE TEST: 2,000 CYCLES MIN. AFTER LIFE TEST, CONTACT RESISTANCE: 100mΩ MAX. AFTER HUMIDITY TEST, INSULATION RESISTANCE: 50MΩ MIN.
 - PACKAGING : TAPE & REEL.
 - TO CONFORM TO SINGATRON HAZARDOUS SUBSTANCE FREE SPEC.
 - HALOGEN FREE PRODUCT IDENTIFICATION MARK ON PRODUCT.
 - HALOGEN FREE PRODUCT IDENTIFICATION LOGO ON PACKAGING.
 - FOR IR REFLOW PROFILE, PEAK TEMPERATURE: 260°C Max. 10 SECS.
 - PLEASE PUT THE PRODUCT IN A CONDITION WHERE IS FULL OF NITROGEN WHEN PASS THE IR REFLOW.
 - PRINTED DATE CODE "MMDD=" ON TOP OF CONNECTOR.



SCHEMATIC



NO	DESCRIPTION	QTY	MATERIAL	PLATING & COLOR
A	BODY	1	PA4T-30%GF TITX1 U1 94V-0	PMS Cool Gray 4C
C	RING-B	1	C5210-EH 0.2T	
D	RING-A	1	C5210-EH 0.2T	
E	EARTH	1	C5210-EH 0.2T	
F	TIP SPRING	1	SUS304-1/2H0.2T	GOLD FLASH ON CONTACT AREA
G	TRANSFER TERMINAL	1	C5210-EH 0.2T	GOLD FLASH ON SOLDER TAIL.
H	SEPARATOR	1	TOP E130+30%GF U1 94V-0	ALL OVER IN 50 μ" MR.
I	SHELL	1	C5210-EH 0.2T	
J	MYLAR-1	1	L*W*(6.75*6.85*0.05)	YELLOW
K	MYLAR-2	1	L*W*(6.9*6.4*0.05)	YELLOW
L	MYLAR-3	2	L*W*(5.0*3.8*0.1)	BROWN

DECIMALS:	ANGLES:
X :±0.5	X :±2°
X.X :±0.3	X.X :±1°
X.XX :±0.2	

TITLE	Ø3.50 AUDIO JACK
DWN Peng	PART NO.2S13072-315151F
CHKD Bruce	SCALE 1:1 UNIT: mm
APVD 1:00	SIZE: A3 SHEET:1 OF 1 REV: A

Singatron Enterprise Co., Ltd.
信登电子股份有限公司

CUSTOMER COPY

REV	ECN NO	OR DESCRIPTION	REVISED	DATE
A	PDR NO:T190423-2A		Peng	2019.11.28