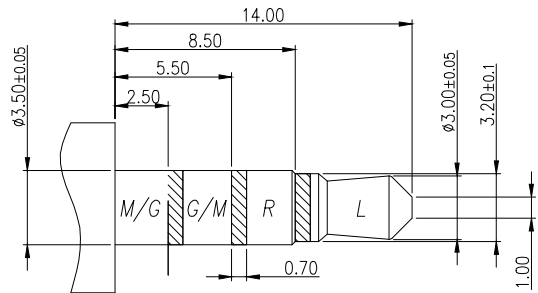
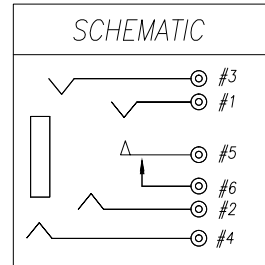
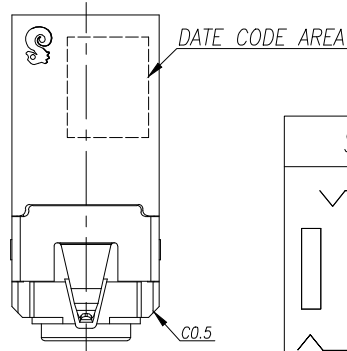


REV.	ECN NO OR DESCRIPTION	REVISED	DATE
A	PDR NO: S200102-1A	RAINY	2020.11.17



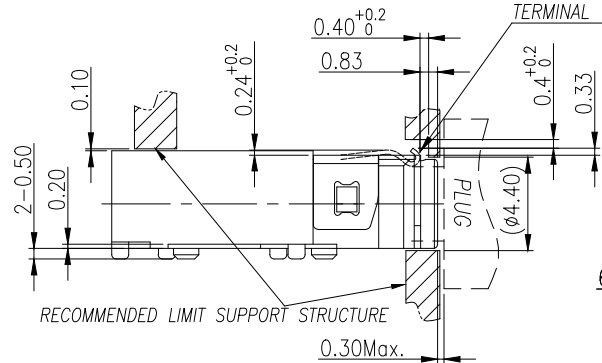
RECOMMENDED PLUG(TOL.±0.05)
 Ø3.5 4-POLE STANDARD PLUG



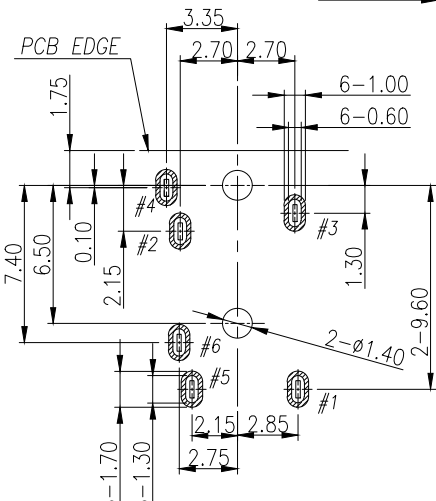
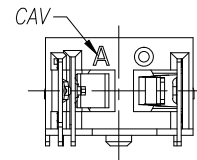
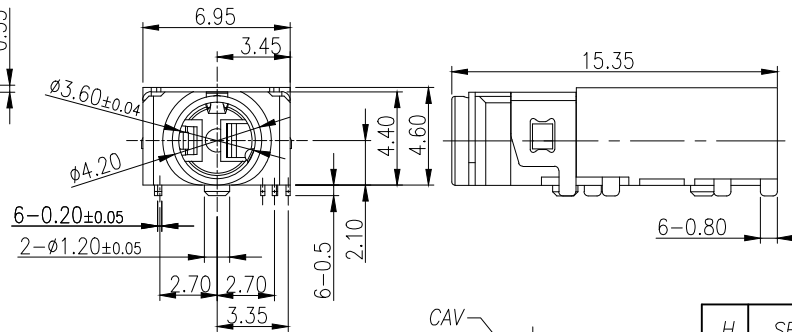
SPECIFICATIONS:

- ELECTRICAL CHARACTERISTICS:
 - RATING: 12V 1A
 - CONTACT RESISTANCE: 50mΩ MAX.(INITIAL)
 - DIELECTRIC WITHSTANDING VOLTAGE: 500V AC FOR ONE MINUTE.
 - INSULATION RESISTANCE: 100MΩ MIN. MEASURED BY 500 VDC.
- MECHANICAL CHARACTERISTICS:
 - INSERTION FORCE: 0.5~2.2Kgf AFTER THE FIFTH TIME; 0.4~2.2Kgf AFTER LIFE TEST;
 - WITHDRAWAL FORCE: 0.5~2.0Kgf AFTER THE FIFTH TIME; 0.4~2.0Kgf AFTER LIFE TEST;
- LIFE TEST: 5,000 CYCLES MIN.
 AFTER LIFE TEST, CONTACT RESISTANCE: 100mΩ MAX.
- PACKAGING : TAPE & REEL.
- AFTER HUMIDITY TEST, INSULATION RESISTANCE: 50MΩ MIN.
- TO CONFORM TO SINGATRON HAZARDOUS SUBSTANCE FREE SPEC.
- HALOGEN FREE PRODUCT IDENTIFICATION MARK ON PRODUCT:
- HALOGEN FREE PRODUCT IDENTIFICATION LOGO ON PACKAGING:
- FOR REFLOW SOLDERING LEAD-FREE PROCESS.
- PRINTED DATE CODE "YMD=" ON TOP OF CONNECTOR.

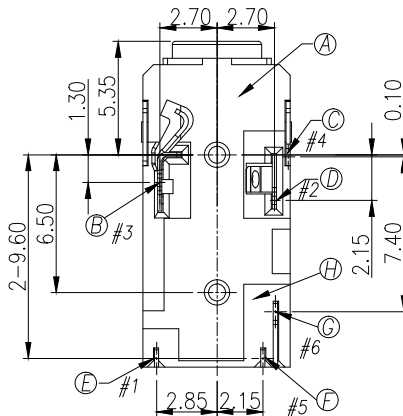
NEEDS TO AVOID INTERFERENCE WITH TERMINAL WHEN PLUG IN.



RECOMMENDED LIMIT SUPPORT STRUCTURE
 0.30Max.



RECOMMENDED PCB LAYOUT
 TOP VIEW ; TOL.±0.05



NO	DESCRIPTION	QTY	MATERIAL	PLATING & COLOR
H	SEPARATOR	1	HIGH TEMP.THERMOPLASTIC UL 94V-0	BLACK
G	MAKE TERMINAL	1	PHOSPHOR BRONZE 0.2T	GOLD FLASH ON CONTACT AREA; GOLD FLASH ON SOLDER AREA; ALL OVER NICKEL 50u" MIN. PLATING
F	TRANSFER TERMINAL	1	PHOSPHOR BRONZE 0.2T	
E	TIP SPRING	1	STAINLESS STEEL, 0.2T	
D	RING-A	1	PHOSPHOR BRONZE 0.2T	
C	EARTH	1	PHOSPHOR BRONZE 0.2T	
B	RING-B	1	PHOSPHOR BRONZE 0.2T	
A	BODY	1	HIGH TEMP.THERMOPLASTIC UL 94V-0	BLACK

UNLESS OTHERWISE SPECIFIED TOLERANCES		Singatron Enterprise Co., Ltd. 信音企業股份有限公司	
DECIMALS:	ANGLES:	TITLE	
X :±0.5	X :±2°	DWN	RAINY
X.X :±0.3	X.X :±1°	CHKD	BRUCE
X.XX :±0.2		APVD	LIAO
		PART NO.2SJ3072-319111F	
		SCALE 1:1	UNIT: mm
		SIZE: A3	SHEET: 1 OF 1
		REV: A	
CUSTOMER COPY			