

REV: A	ECN NO OR DESCRIPTION: PDR NO: T200619-4A	REVISED: Jinhui	DATE: 2020.09.23
--------	---	-----------------	------------------

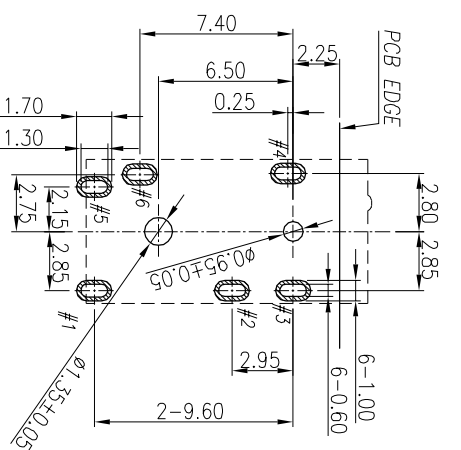
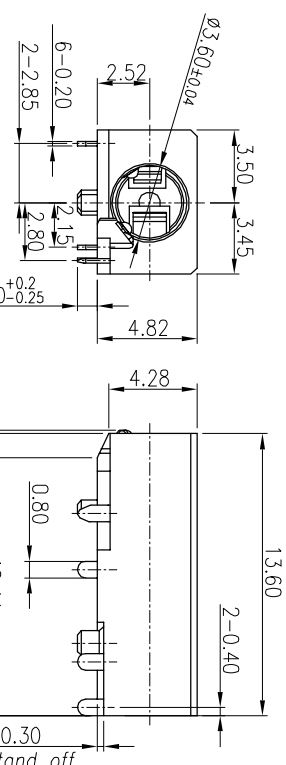
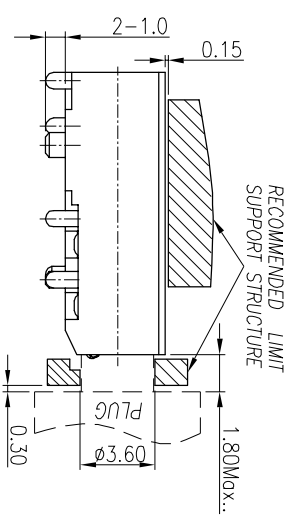
SPECIFICATIONS:

1. ELECTRICAL CHARACTERISTICS:

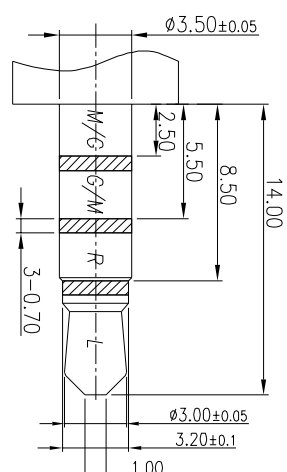
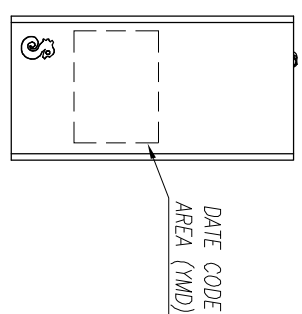
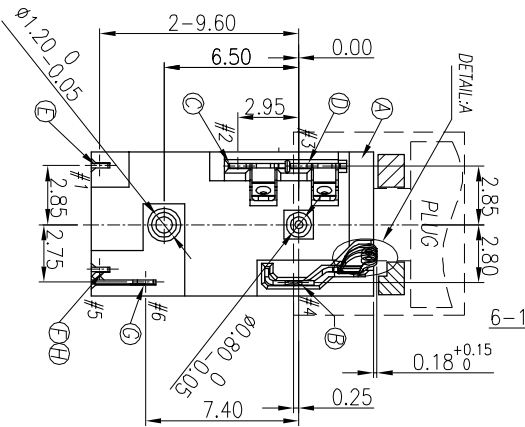
- 1-1. RATING: 12V 1A
- 1-2. CONTACT RESISTANCE: 50mΩ MAX.(INITIAL)
- 1-3. DIELECTRIC WITHSTANDING VOLTAGE: 500V AC FOR ONE MINUTE.
- 1-4. INSULATION RESISTANCE: 100MΩ MIN. MEASURED BY 500 VDC.

2. MECHANICAL CHARACTERISTICS:

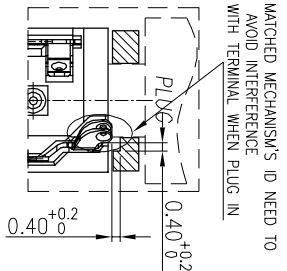
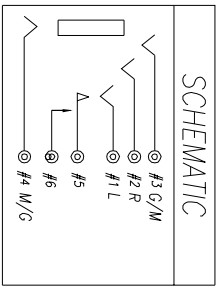
- 2-1. INSERTION FORCE: 0.3-3.0Kg
- 2-2. WITHDRAWAL FORCE: 0.3-3.0Kg
- 3. LIFE TEST: 5,000 CYCLES MIN.
- 4. AFTER LIFE TEST, CONTACT RESISTANCE: 100mΩ MAX.
- 5. AFTER HUMIDITY TEST, INSULATION RESISTANCE: 50MΩ MIN.
- 6. TO CONFORM TO SINGATRON HAZARDOUS SUBSTANCE FREE SPEC.
- 7. HALOGEN FREE PRODUCT IDENTIFICATION MARK ON PRODUCT:
- 8. HALOGEN FREE PRODUCT IDENTIFICATION LOGO ON PACKAGING:
- 9. FOR LEAD-FREE PROCESS.
- 10. PRINTED DATE CODE "MMDD-" ON TOP OF CONNECTOR.



RECOMMENDED PCB LAYOUT
TOP VIEW ; TOL.±0.05



RECOMMENDED PLUG-TOL.±0.05
Ø3.5 4-POLE STANDARD PLUG



DETAIL A
SCALE:1:1

NO	DESCRIPTION	QTY	MATERIAL	PLATING & COLOR
A	BODY	1	HIGH TEMP-THERMOPLASTIC UL 94V-0	BLACK
B	EARTH	1	PHOSPHOR BRONZE 0.2t	ALL OVER NICKEL 50μ MIN. PLATING
C	RING-A	1	PHOSPHOR BRONZE 0.2t	ALL OVER NICKEL 50μ MIN. PLATING
D	RING-B	1	PHOSPHOR BRONZE 0.2t	ALL OVER NICKEL 50μ MIN. PLATING
E	TIP SPRING	1	STAINLESS STEEL 0.2t	ALL OVER NICKEL 50μ MIN. PLATING
F	TRANSFER TERMINAL	1	PHOSPHOR BRONZE 0.2t	ALL OVER NICKEL 50μ MIN. PLATING
G	MAKE TERMINAL	1	PHOSPHOR BRONZE 0.2t	ALL OVER NICKEL 50μ MIN. PLATING
H	SEPARATOR	1	UL 94V-0	BLACK

UNLESS OTHERWISE SPECIFIED TOLERANCES
DECIMALS: ANGLES:
X.XX ±0.5 X ±2°
X.X ±0.3 X.X ±1°
X.XX ±0.2

TITLE	3.5Ø AUDIO JACK		
DWN	Jinhui	PART NO.25J3072-320211F	
CHKD	Bruce	SCALE 1:1	UNIT: mm
APVD	Liao	SIZE: A3	SHEET: 1 OF 1
CUSTOMER COPY			