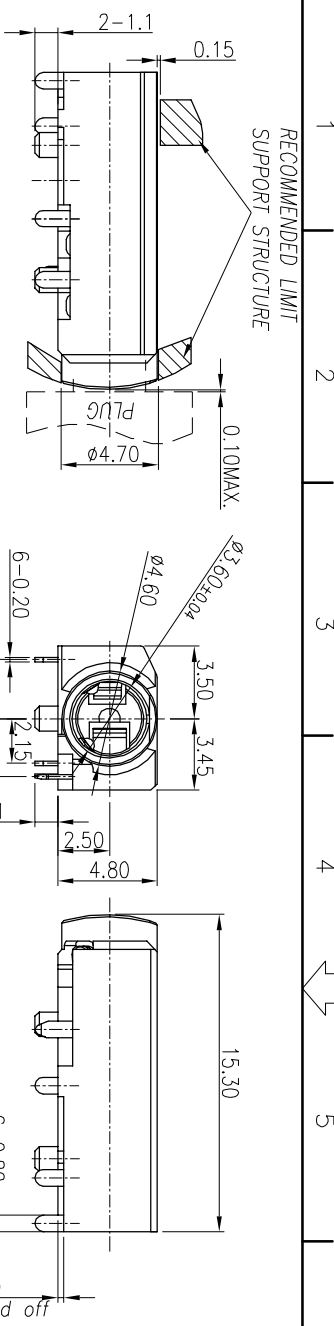


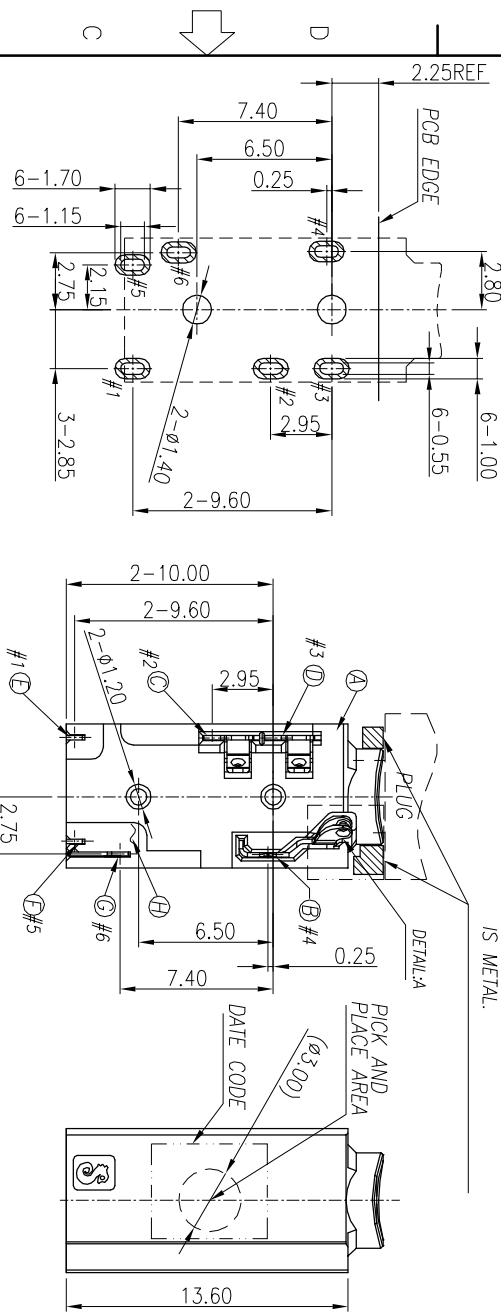
REV.	ECN NO OR DESCRIPTION	REVISED	DATE
A	PDR NO:1220712-11A	JIELIN	2023.01.14



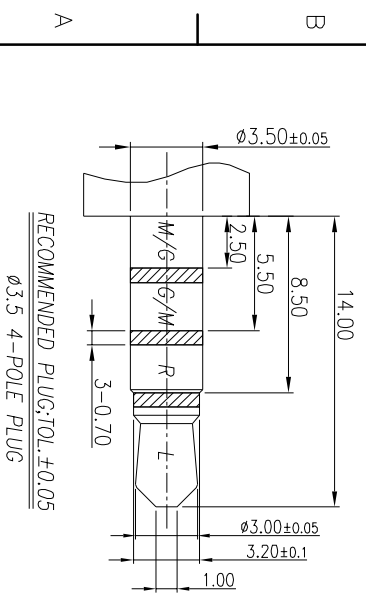
THE SURFACE OF MECHANISM ADJACENT TO PLUG SHALL BE INSULATED IF THE MECHANISM IS METAL.

SPECIFICATIONS:

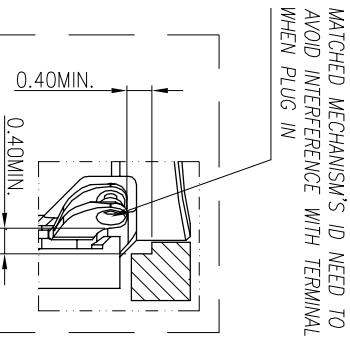
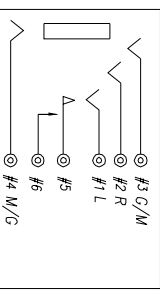
- ELECTRICAL CHARACTERISTICS:
 - RATING: 12V 1A
 - CONTACT RESISTANCE: 50mΩ MAX.(INITIAL)
 - DIELECTRIC WITHSTANDING VOLTAGE: 500V AC FOR ONE MINUTE.
 - INSULATION RESISTANCE: 100MΩ MIN. MEASURED BY 500 VDC.
- MECHANICAL CHARACTERISTICS:
 - INSERTION FORCE: 0.8-3.0kgf INITIAL; 2.5kgf MAX. (AFTER LIFE TEST);
 - WITHDRAWAL FORCE: 0.6-1.8kgf INITIAL; 0.5kgf MIN. (AFTER LIFE TEST);
 - LIFE TEST: 2,000 CYCLES MIN. AFTER LIFE TEST, CONTACT RESISTANCE: 100mΩ MAX.
 - PACKAGING: TAPE & REEL.
 - AFTER HUMIDITY TEST, INSULATION RESISTANCE: 50MΩ MIN.
 - TO CONFORM TO SINGATRON HAZARDOUS SUBSTANCE FREE SPEC.
 - HALOGEN FREE PRODUCT IDENTIFICATION MARK ON JACK:
 - HALOGEN FREE PRODUCT IDENTIFICATION LABEL ON PACKAGING:
 - PRINTED DATE CODE "MMDD" ON TOP OF CONNECTOR.



RECOMMENDED PCB LAYOUT
TOP VIEW : TOL.±0.05



SCHEMATIC



NO	DESCRIPTION	QTY	MATERIAL	PLATING & COLOR
----	-------------	-----	----------	-----------------

H	SEPARATOR	1	HIGH TEMP.THERMOPLASTIC	BLACK
G	MAKE TERMINAL	1	PHOSPHOR BRONZE 0.2t	
F	TRANSFER TERMINAL	1	PHOSPHOR BRONZE 0.2t	
E	TIP SPRING	1	STAINLESS STEEL 0.2t	
D	RING-B	1	PHOSPHOR BRONZE 0.2t	1~3um GOLD PLATING ON CONTACT AREA; 1~3um GOLD PLATING ON SOLDER TAIL AREA; AND 50um MIN. NICKEL UNDER PLATING
C	RING-A	1	PHOSPHOR BRONZE 0.2t	
B	EARTH	1	PHOSPHOR BRONZE 0.2t	
A	BODY	1	HIGH TEMP.THERMOPLASTIC	BLACK

UNLESS OTHERWISE SPECIFIED TOLERANCES

DECIMALS:	ANGLES:
X :±0.5	X :±2°
X.X :±0.3	X.X :±1°
X.XX :±0.2	

TITLE	3.5Ø AUDIO JACK
DWN	JIELIN
CHKD	Bruce
APVD	Loo
PART NO.2S13072-329111F	
SCALE 1:1	
UNIT: mm	
SIZE: A3	
SHEET: 1 OF 1	
REV: A	

CUSTOMER COPY