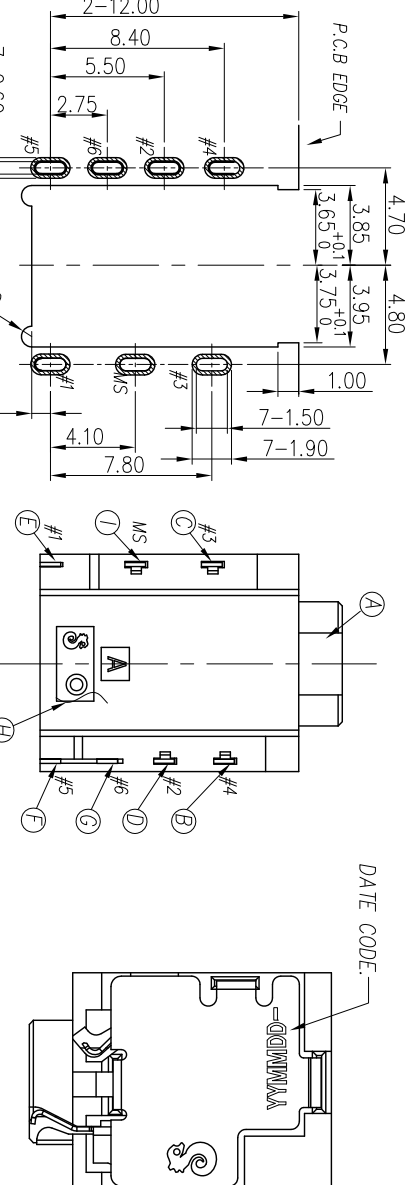


REV	ECN NO	OR DESCRIPTION	REVISED	DATE
A	PDR NO: T130313-6A	Bruce		2013.07.10

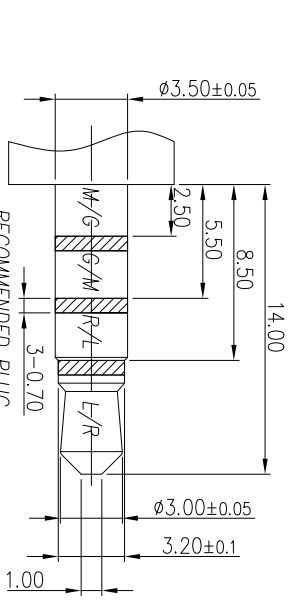
- SPECIFICATIONS:
- INSULATION RESISTANCE BETWEEN ANY ADJACENT OPEN CIRCUIT TERMINAL SHELL NOT BE LESS THAN 100MΩ MEASURED BY 500V DC.
 - CONTACT RESISTANCE: 50mΩ MAX(INITAL).
 - INSULATION VOLTAGE WITHSTAND: 500V AC FOR ONE MINUTE.
 - LIFE TEST: 5,000 CYCLES MIN.
 - INSERTION FORCE: 0.3-3.0kgf.
 - WITHDRAWAL FORCE: 0.3-3.0 kgf.
 - AFTER LIFE TEST, CONTACT RESISTANCE: 100mΩ MAX.
 - AFTER HUMIDITY TEST, INSULATION RESISTANCE: 50MΩ MIN.
 - MARKING: MARK "S" ON TOP OF CONNECTOR.
 - PACKING: TAPE & REEL.
 - TO CONFORM TO SINGATRON HAZARDOUS SUBSTANCE FREE SPEC.
 - TO CONFORM TO SINGATRON IDENTIFICATION MARK ON PRODUCT.
 - HALOGEN FREE PRODUCT IDENTIFICATION LOGO ON PACKAGING.



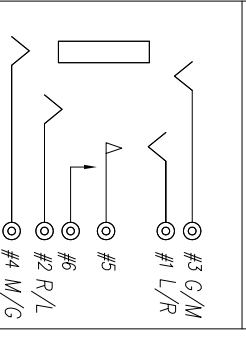
I	SHELL	1	BRASS 0.2t	Ni 600 Min.
H	SEPARATOR	1	HIGH TEMP-THERMOPLASTIC UL-94V-0	BLACK
G	MAKE TERMINAL	1	PHOSPHOR BRONZE 0.2t	GOLD FLASH ON CONTACT AREA GOLD FLASH ON SOLDER AREA ALL OVER 500° Ni.
F	TRANSFER TERMINAL	1	PHOSPHOR BRONZE 0.2t	
E	TIP SPRING	1	PHOSPHOR BRONZE 0.2t	
D	RING A	1	PHOSPHOR BRONZE 0.2t	GOLD FLASH ON CONTACT AREA GOLD FLASH ON SOLDER AREA ALL OVER 500° Ni.
C	RING B	1	PHOSPHOR BRONZE 0.2t	
B	EARTH	1	PHOSPHOR BRONZE 0.2t	
A	BODY	1	HIGH TEMP-THERMOPLASTIC UL-94V-0	BLACK

RECOMMENDED PCB LAYOUT

TOP VIEW ; TOL.±0.05



SCHMATIC



UNLESS OTHERWISE SPECIFIED TOLERANCES		Singatron Enterprise Co., Ltd. 信亨企業股份有限公司	
DECIMALS:	ANGLES:	3.5Φ PHONE JACK	
X : ±0.5	X : ±2°	DWN	Bruce
XX : ±0.3	XX : ±1°	CHKD	Sky
XXX : ±0.2		APVD	Lussen
TITLE		PART NO.	2S13080-030111F
SCALE		4:1	UNIT: mm
SIZE		A3	SHEET: 1 OF 1
REV: A		CUSTOMER COPY	