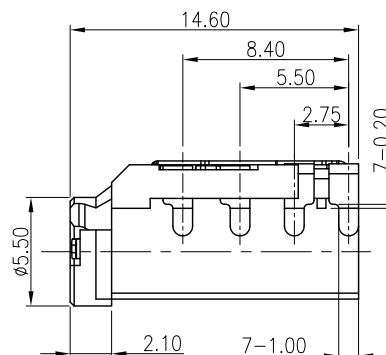
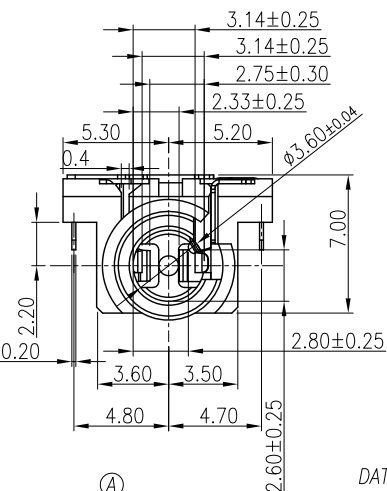
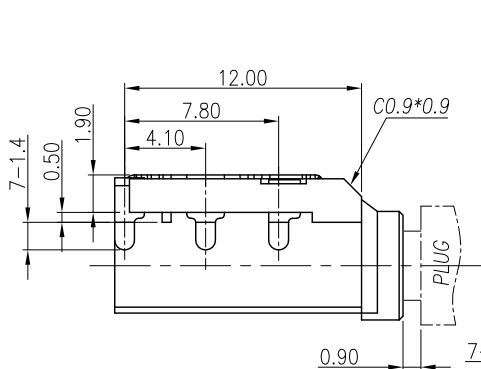
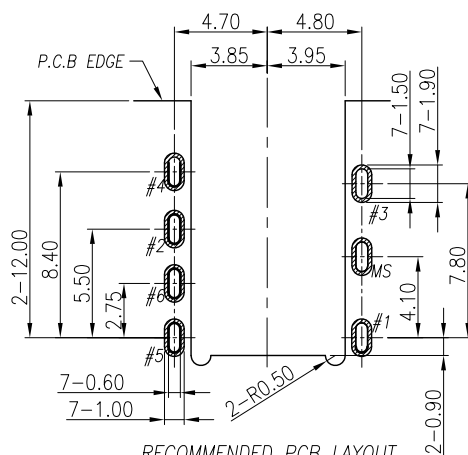


REV.	ECN NO OR DESCRIPTION	REVISED	DATE
A	PDR NO: S130524-4A	Bruce	2013.12.01

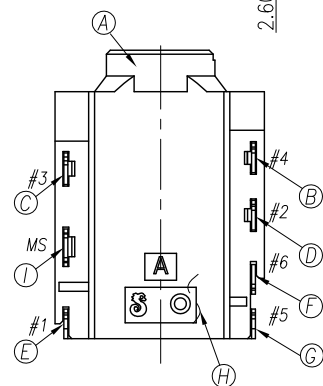


SPECIFICATIONS:

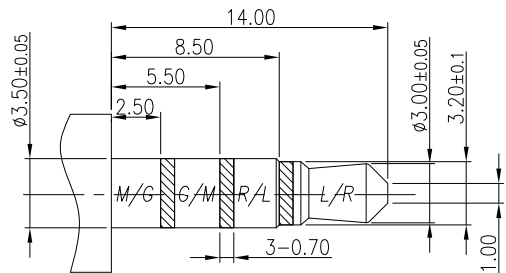
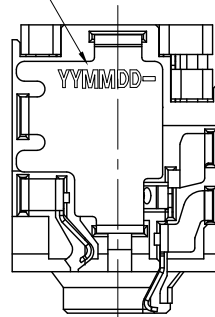
- INSULATION RESISTANCE BETWEEN ANY ADJACENT OPEN CIRCUIT TERMINAL SHELL NOT BE LESS THAN 100MΩ MEASURED BY 500V DC .
- CONTACT RESISTANCE: 50mΩ MAX(INITIAL).
- INSULATION VOLTAGE WITHSTAND:500V AC FOR ONE MINUTE.
- LIFE TEST: 5,000 CYCLES .
- INSERTION FORCE: 0.3-3.0Kgf ,
- WITHDRAWAL FORCE: 0.3-3.0 Kgf,
- AFTER ALL THE TEST, CONTACT RESISTANCE: 100mΩ MAX.
- AFTER HUMIDITY TEST, INSULATION RESISTANCE: 50MΩ MIN.
- MARKING: MARK "S" ON TOP OF CONNECTOR.
- PACKING : TAPE & REEL.
- TO CONFORM TO SINGATRON HAZARDOUS SUBSTANCE FREE SPEC.
- HALOGEN FREE PRODUCT IDENTIFICATION MARK ON PRODUCT:
- HALOGEN FREE PRODUCT IDENTIFICATION LOGO ON PACKAGING:
- RATING : 12V / 1A
- TERMINAL RETENTION FORCE :500g minimum.



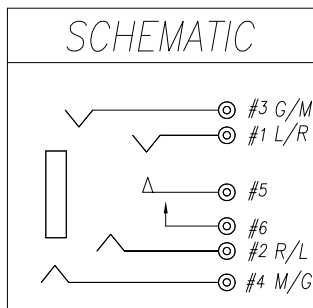
RECOMMENDED PCB LAYOUT
TOP VIEW ; TOL.±0.05



DATE CODE.



RECOMMENDED PLUG(TOL.±0.05)
3.5 4-POLE STANDARD PLUG



I	SHELL	1	BRASS 0.2T	GOLD FLASH ON SOLDER AREA, OVER Ni 50u" Min.
H	SEPARATOR	1	LCP E130i+30%GF,UL94-V0	BLACK
G	TRANSFER TERMINAL	1	PHOSPHOR BRONZE 0.2T	GOLD FLASH ON CONTACT AREA; GOLD FLASH ON SOLDER AREA; ALL OVER 50u" Ni.
F	MAKE TERMINAL	1	PHOSPHOR BRONZE 0.2T	
E	TIP SPRING	1	PHOSPHOR BRONZE 0.2T	
D	RING A	1	PHOSPHOR BRONZE 0.2T	
C	RING B	1	PHOSPHOR BRONZE 0.2T	
B	EARTH	1	PHOSPHOR BRONZE 0.2T	
A	BODY	1	PA10T+30%GF,UL94-V0	BLACK
NO	DESCRIPTION	QTY	MATERIAL	PLATING & COLOR

UNLESS OTHERWISE SPECIFIED TOLERANCES

Singatron Enterprise Co., Ltd.
信音企業股份有限公司

DECIMALS:	ANGLES:	TITLE	3.5Ø AUDIO JACK		
X :±0.5	X :±2°	DWN	Bruce	PART NO.2SJ3080-032111F	
X.X :±0.3	X.X :±1°	CHKD	Sky	SCALE 4:1	UNIT: mm
X.XX :±0.2		APVD	Lussen	SIZE: A3	SHEET:1 OF 1

CUSTOMER COPY