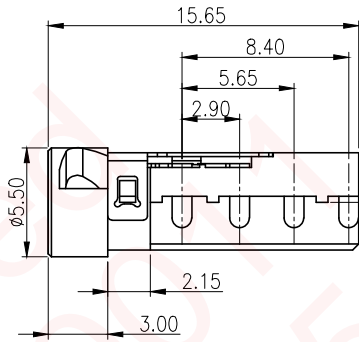
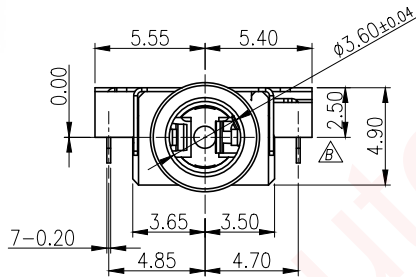
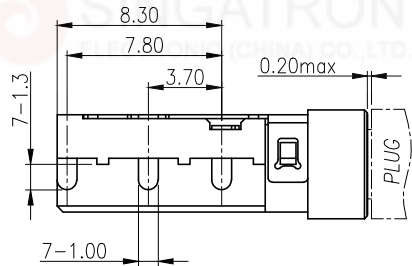
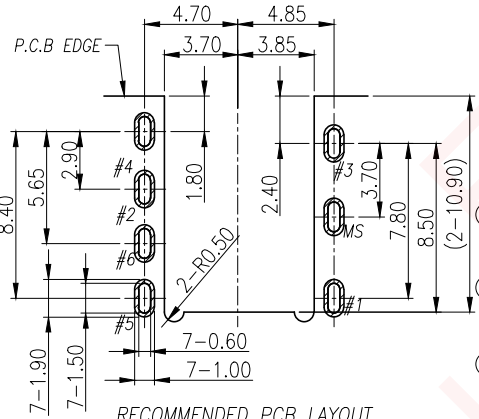


REV.	ECN NO OR DESCRIPTION	REVISED	DATE
A	PDR NO: T150507-5A	MARS	2015.09.28
B	ECN NO: S151104-C	JIE-FU	2015.11.13

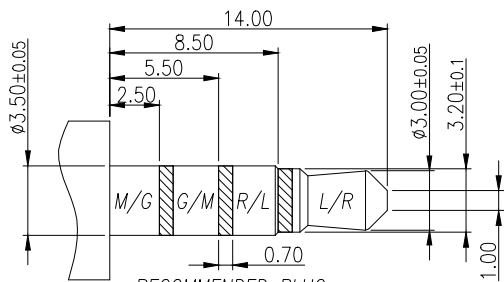
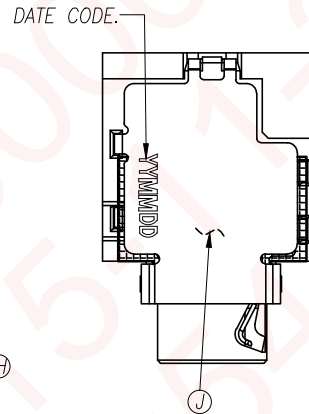
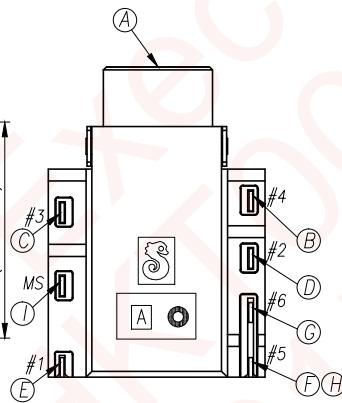


**SPECIFICATIONS:**

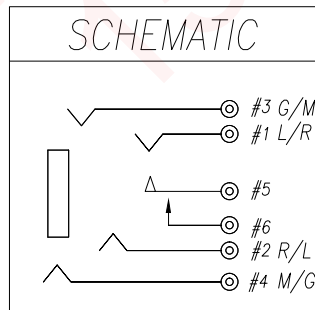
- INSULATION RESISTANCE BETWEEN ANY ADJACENT OPEN CIRCUIT TERMINAL SHELL NOT BE LESS THAN 100M $\Omega$  MEASURED BY 500 VDC.
- CONTACT RESISTANCE: 50m $\Omega$  MAX(INITIAL).
- INSULATION VOLTAGE WITHSTAND: 500V AC FOR ONE MINUTE.
- UNLESS OTHERWISE SPECIFIED. TEST IS TO BE MADE AT 5-35°C IN TEMPERATURE AND 45-85% IN HUMIDITY. BUT, IF ANY VAGUE DATA IS OCCURED ON TEST RESULT, ANOTHER TEST SHALL BE MADE AT 20°C $\pm$ 2°C IN TEMP., 60-70% IN HUMIDITY.
- LIFE TEST: 5,000 CYCLES MIN.
- INSERTION FORCE: 0.3 - 3Kg.
- WITHDRAWAL FORCE: 0.3 - 3Kg.
- AFTER LIFE TEST, CONTACT RESISTANCE: 100m $\Omega$  MAX.
- AFTER HUMIDITY TEST, INSULATION RESISTANCE: 50M $\Omega$  MIN.
- MARKING: MARK "S" ON TOP OF CONNECTOR.
- PACKAGING : TAPE & REEL.
- TO CONFORM TO SINGATRON HAZARDOUS SUBSTANCE FREE SPEC.
- HALOGEN FREE PRODUCT IDENTIFICATION MARK ON PRODUCT:
- HALOGEN FREE PRODUCT IDENTIFICATION LOGO ON PACKAGING:



RECOMMENDED PCB LAYOUT  
TOP VIEW ; TOL.  $\pm 0.05$



RECOMMENDED PLUG  
 $\phi 3.5$  4-POLE STANDARD PLUG



NO	DESCRIPTION	QTY	MATERIAL	PLATING & COLOR
J	MYLAR	1	0.06t	YELLOW
I	SHELL	1	BRASS 0.2t	Ni 60u"Min.
H	SEPARATOR	1	HIGH TEMP.THERMOPLASTIC UL 94V-0	BLACK
G	MAKE TERMINAL	1	PHOSPHOR BRONZE 0.2t	GOLD FLASH ON CONTACT AREA; GOLD FLASH ON SOLDER AREA; ALL OVER 50u" Ni.
F	TRANSFER TERMINAL	1	PHOSPHOR BRONZE 0.2t	GOLD FLASH ON CONTACT AREA; Matte Sn80u" ON SOLDER AREA; ALL OVER 50u" Ni.
E	TIP SPRING	1	PHOSPHOR BRONZE 0.2t	
D	RING A	1	PHOSPHOR BRONZE 0.2t	
C	RING B	1	PHOSPHOR BRONZE 0.2t	
B	EARTH	1	PHOSPHOR BRONZE 0.2t	
A	BODY	1	PA4T-30%GF TI1X1 UL 94V-0	BLACK

UNLESS OTHERWISE SPECIFIED TOLERANCES

Singatron Enterprise Co., Ltd.  
信音企業股份有限公司

DECIMALS: ANGLES:  
X : $\pm 0.5$  X : $\pm 2^\circ$   
X.X : $\pm 0.3$  X.X : $\pm 1^\circ$   
X.XX : $\pm 0.2$

TITLE	3.5 $\phi$ PHONE JACK		
DWN	JIE-FU	PART NO. 2SJ3080-091111F	
CHKD	CERRY	SCALE 4:1	UNIT: mm
APVD	LUSSEN	SIZE: A3	SHEET: 1 OF 1
<b>REV: B</b>			
<b>CUSTOMER COPY</b>			