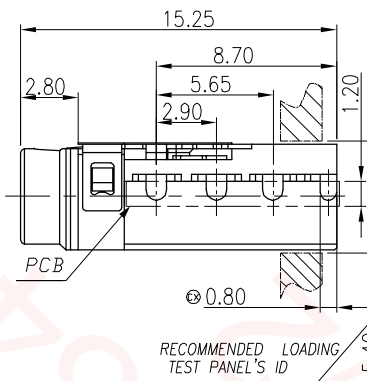
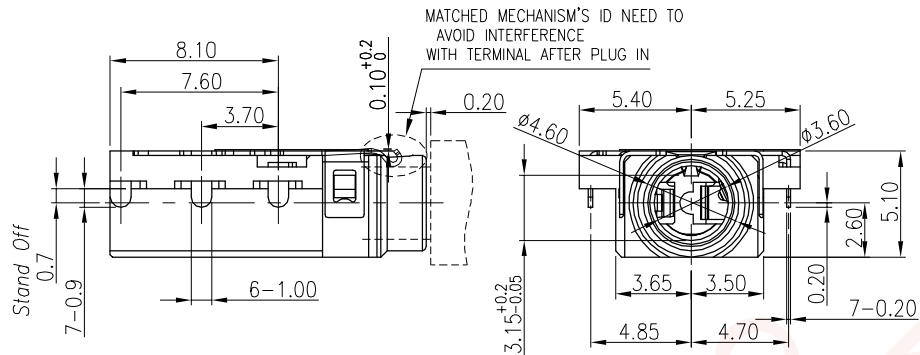
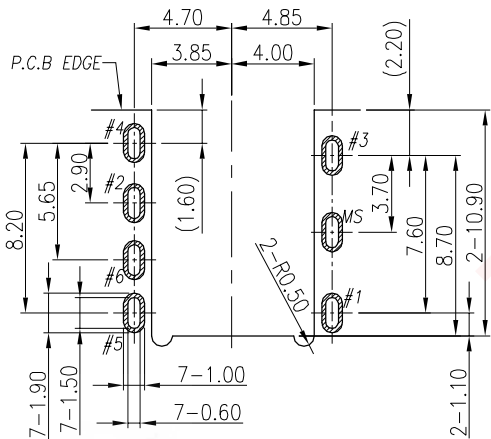


REV.	ECN NO OR DESCRIPTION	REVISED	DATE
A	PDR NO: T150702-1A/1B	Ming	2015.12.07

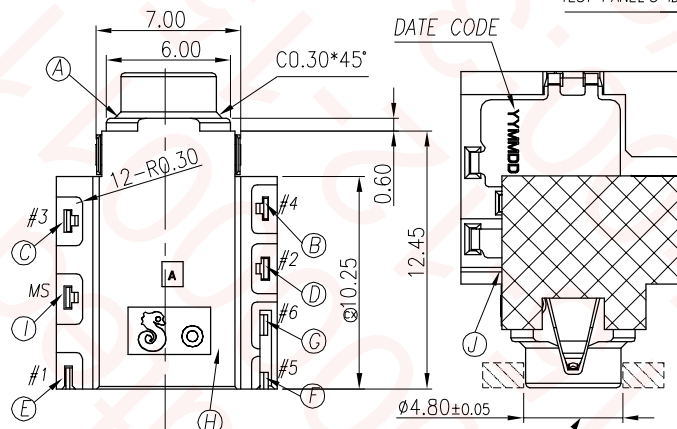


**SPECIFICATIONS:**

- ELECTRICAL CHARACTERISTICS:
  - RATING: 12V 1A
  - CONTACT RESISTANCE: 50mΩ MAX.(INITIAL)
  - DIELECTRIC WITHSTANDING VOLTAGE: 500V AC FOR ONE MINUTE.
  - INSULATION RESISTANCE: 100MΩ MIN. MEASURED BY 500V DC
- MECHANICAL CHARACTERISTICS:
  - INSERTION FORCE : 0.3~3.0 KGF
  - WITHDRAWAL FORCE : 0.3~3.0 KGF
- LIFE TEST: 5,000 CYCLES MIN.
- OTHER GENERAL SPEC. TO REFER "2SJ3080 SERIES SPEC".
- TO CONFORM TO SINGATRON HAZARDOUS SUBSTANCE FREE SPEC.
- HALOGEN FREE PRODUCT IDENTIFICATION MARK ON PRODUCT:
- HALOGEN FREE PRODUCT IDENTIFICATION LOGO ON PACKAGING:
- FOR REFLOW SOLDERING LEAD-FREE PROCESS.
- HOUSING'S STRENGTH IS<3.0Kg



RECOMMENDED PCB LAYOUT  
TOP VIEW ; TOL.±0.05



RECOMMENDED PANEL'S ID

2SJ3080-093X11F

1:GOLD FLASH  
2:Au 30u"

J	MYLAR	1	KAPTON 0.08T	YELLOW
I	SHELL	1	C5210-EH,0.2T	Ni 60u <sup>3</sup> Min.
H	SEPARATOR	1	LCP E130i+30%GF,UL94-V0	BLACK
G	MAKE TERMINAL	1	C5210-EH,0.2T	GOLD FLASH ON CONTACT AREA AND SOLDER TAIL; ALL OVER 30u" Ni
F	TRANSFER TERMINAL	1	C5210-EH,0.2T	GOLD FLASH ON CONTACT AREA; Matte Sn100u" ON SOLDER AREA; ALL OVER 30u" Ni
E	TIP SPRING	1	C5210-EH,0.2T	GOLD FLASH/Au 30u" ON CONTACT AREA;
D	RING A	1	C5210-EH,0.2T	Matte Sn100u" ON SOLDER AREA;
C	RING B	1	C5210-EH,0.2T	ALL OVER 30u" Ni
B	EARTH	1	C5210-EH,0.2T	
A	BODY	1	PA4T+30%GF, UL94V-0	BLACK
NO	DESCRIPTION	QTY	MATERIAL	PLATING & COLOR

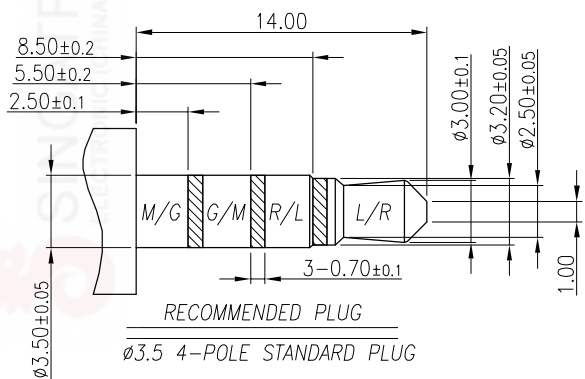
UNLESS OTHERWISE SPECIFIED TOLERANCES

Singatron Enterprise Co., Ltd.  
信音企業股份有限公司

DECIMALS: ANGLES:  
X :±0.5 X :±2°  
X.X :±0.3 X.X :±1°  
:±0.2

TITLE	3.5Φ PHONE JACK		
DWN Ming	PART NO. 2SJ3080-093X11F		
CHKD Bruce	SCALE 4:1	UNIT: mm	
APVD Lussen	SIZE: A3	SHEET:1 OF 1	REV: A

CUSTOMER COPY



RECOMMENDED PLUG  
Ø3.5 4-POLE STANDARD PLUG

