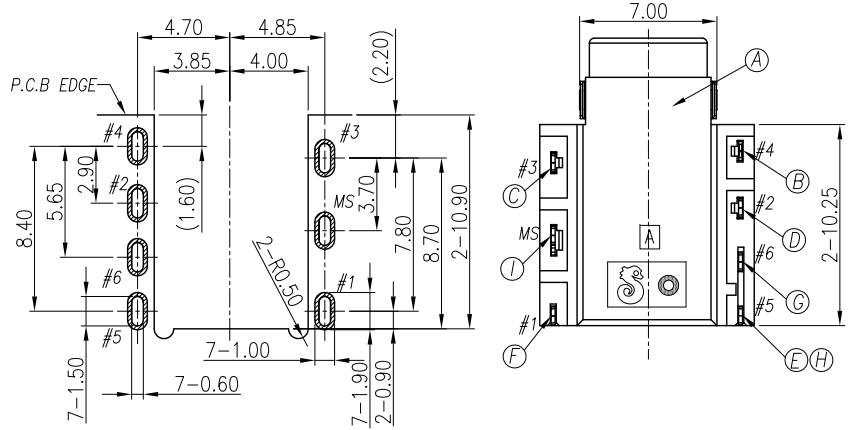
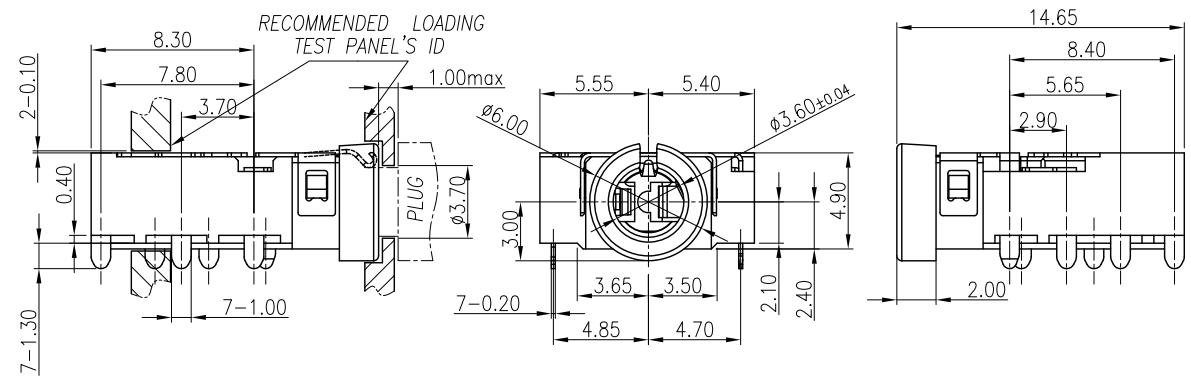
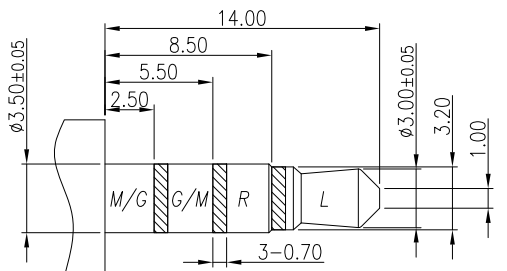


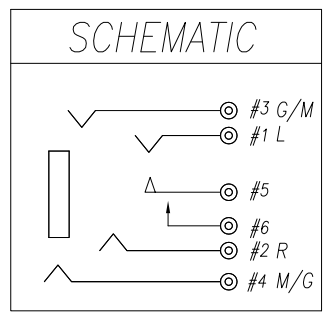
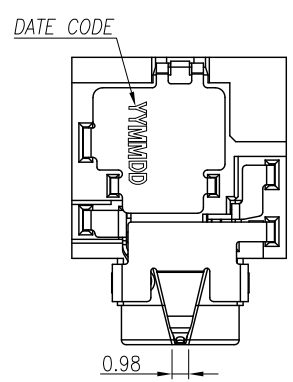
REV.	ECN NO OR DESCRIPTION	REVISED	DATE
A	PDR NO.: T160516-1A	ROBIN	2017.05.10



RECOMMENDED PCB LAYOUT
TOP VIEW ; TOL.±0.05



RECOMMENDED PLUG(TOL.±0.05)
ø3.5 4-POLE PLUG



- SPECIFICATIONS:
- INSULATION RESISTANCE BETWEEN ANY ADJACENT OPEN CIRCUIT TERMINAL SHELL NOT BE LESS THAN 100MΩ MEASURED BY 500 VDC.
 - CONTACT RESISTANCE: 50mΩ MAX(INITIAL).
 - INSULATION VOLTAGE WITHSTAND:500V AC FOR ONE MINUTE.
 - UNLESS OTHERWISE SPECIFIED. TEST IS TO BE MADE AT 5-35°C IN TEMPERATURE AND 45-85% IN HUMIDITY. BUT,IF ANY VAGUE DATA IS OCCURED ON TEST RESULT, ANOTHER TEST SHALL BE MADE AT 20°C±2°C IN TEMP., 60-70% IN HUMIDITY.
 - LIFE TEST: 5,000 CYCLES MIN.
 - INSERTION FORCE: 0.5 - 3Kg.
 - WITHDRAWAL FORCE: 0.5 - 3Kg.
 - AFTER TEST, CONTACT RESISTANCE: 100mΩ MAX.
 - AFTER HUMIDITY TEST, INSULATION RESISTANCE: 50MΩ MIN.
 - MARKING: MARK "S" ON TOP OF CONNECTOR.
 - PACKING : TAPE & REEL.
 - TO CONFORM TO SINGATRON HAZARDOUS SUBSTANCE FREE SPEC.
 - HALOGEN FREE PRODUCT IDENTIFICATION MARK ON PRODUCT:
 - HALOGEN FREE PRODUCT IDENTIFICATION LOGO ON PACKAGING:

F TRANSFER TERMINAL				
I	SHELL	1	PHOSPHOR BRONZE 0.2T Ni 60u"Min.	
H	SEPARATOR	1	HIGH TEMP.THERMOPLASTIC UL 94V-0 BLACK	
G	MAKE TERMINAL	1	PHOSPHOR BRONZE 0.2T GOLD FLASH ON CONTACT AREA; GOLD FLASH ON SOLDER AREA; ALL OVER 50u" Ni.	
F	TIP SPRING	1	PHOSPHOR BRONZE 0.2T	
E	TRANSFER TERMINAL	1	PHOSPHOR BRONZE 0.2T	
D	RING A	1	PHOSPHOR BRONZE 0.2T MATTE TIN 120u" ON SOLDER TAIL	
C	RING B	1	PHOSPHOR BRONZE 0.2T ALL OVER 50u" Ni.	
B	EARTH	1	PHOSPHOR BRONZE 0.2T GOLD FLASH ON CONTACT AREA; GOLD FLASH ON SOLDER AREA; ALL OVER 50u" Ni.	
A	BODY	1	HIGH TEMP.THERMOPLASTIC UL 94V-0 BLACK	
NO	DESCRIPTION	QTY	MATERIAL	PLATING & COLOR

UNLESS OTHERWISE SPECIFIED TOLERANCES

Singatron Enterprise Co., Ltd.
信音企業股份有限公司

DECIMALS: ANGLES: TITLE: 3.5ø AUDIO JACK

DWN	ROBIN	PART NO. 2SJ3080-106111F	
CHKD	BRUCE	SCALE 4:1	UNIT: mm
APVD	LUSSEN	SIZE: A3	SHEET: 1 OF 1 REV: A

CUSTOMER COPY