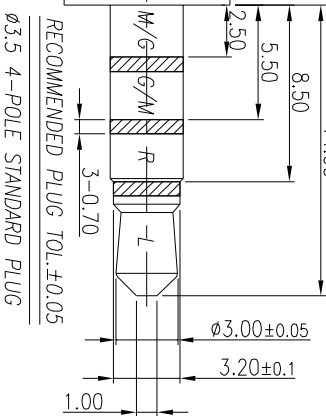
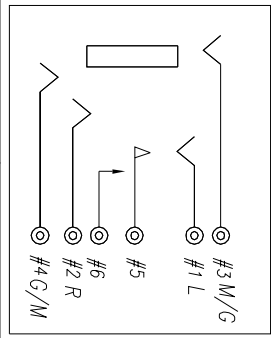


TABLE:

P/N	PLATING
2SJS080-1111111F	GOLD FLASH
2SJS080-1112111F	Au 30u"

- SPECIFICATIONS:
- INSULATION RESISTANCE BETWEEN ANY ADJACENT OPEN CIRCUIT TERMINAL SHELL NOT BE LESS THAN 100MΩ MEASURED BY 500V DC.
 - CONTACT RESISTANCE: 50mΩ MAX(INITIAL).
 - INSULATION VOLTAGE WITHSTAND: 500V AC FOR ONE MINUTE.
 - LIFE TEST: 5000 CYCLES MIN.
 - INSERTION FORCE: 0.5-3.0 kgf.
 - WITHDRAWAL FORCE: 0.5-3.0 kgf.
 - AFTER TEST, CONTACT RESISTANCE: 100mΩ MAX.
 - AFTER HUMIDITY TEST, INSULATION RESISTANCE: 50MΩ MIN.
 - MARKING: MARK "S" ON TOP OF CONNECTOR.
 - PACKING : TAPE & REEL.
 - TO CONFORM TO SINGATRON HAZARDOUS SUBSTANCE FREE SPEC.
 - HALOGEN FREE PRODUCT IDENTIFICATION MARK ON PRODUCT.
 - HALOGEN FREE PRODUCT IDENTIFICATION LOGO ON PACKAGING.

SCHEMATIC



L	MYLAR-2	1	0.10*6.25*5.5	BROWN
K	MYLAR-1	1	0.10*10.8*10.2	BROWN
J	DUMMY	1	SUS 0.2t	Ni: 60u Min.
I	SHELL	1	BRASS 0.2t	Ni: 60u Min.
H	SEPARATOR	1	HIGH TEMP.THERMOPLASTIC UL 94V-0	BLACK
G	MAKE TERMINAL	1	PHOSPHOR BRONZE 0.2t	GOLD FLASH ON CONTACT AREA; GOLD FLASH ON SOLDER AREA; ALL OVER 50u" NI.
F	EARTH	1	PHOSPHOR BRONZE 0.2t	SEE TABLE ON CONTACT AREA; GOLD FLASH ON CONTACT AREA; ALL OVER 50u" NI.
E	TRANSFER TERMINAL	1	PHOSPHOR BRONZE 0.2t	GOLD FLASH ON CONTACT AREA; GOLD FLASH ON SOLDER AREA; ALL OVER 50u" NI.
D	TIP SPRING	1	PHOSPHOR BRONZE 0.2t	SEE TABLE ON CONTACT AREA; Write Sn120u" ON SOLDER AREA ALL OVER 50u" NI.
C	RING A	1	PHOSPHOR BRONZE 0.2t	ALL OVER 50u" NI.
B	RING B	1	PHOSPHOR BRONZE 0.2t	
A	BODY	1	HIGH TEMP.THERMOPLASTIC UL 94V-0	BLACK
NO	DESCRIPTION	QTY	MATERIAL	PLATING & COLOR

UNLESS OTHERWISE SPECIFIED TOLERANCES

DECIMALS:	ANGLES:
X :±0.5	X :±2°
X.X :±0.3	X.X :±1°
X.XX :±0.2	

Singatron Enterprise Co., Ltd.
信管企業股份有限公司

TITLE	3.5Φ AUDIO JACK
DWN	Qing
CHKD	Bruce
APVD	Lussen
PART NO.	2SJS080-111X11F
SCALE	2:1
UNIT:	mm
SHEET: 1 OF 1	REV: A
CUSTOMER COPY	