

REV.	ECN NO OR DESCRIPTION	REVISED	DATE
A	PDR NO: T170908-1A	Steven	2018.04.02
B	ECN NO:S180603-E	Xinzhi	2018.07.15
C	ECN NO:S190518-C	Xinzhi	2019.06.11

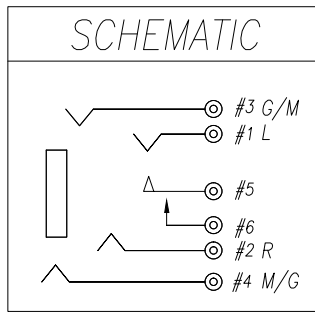
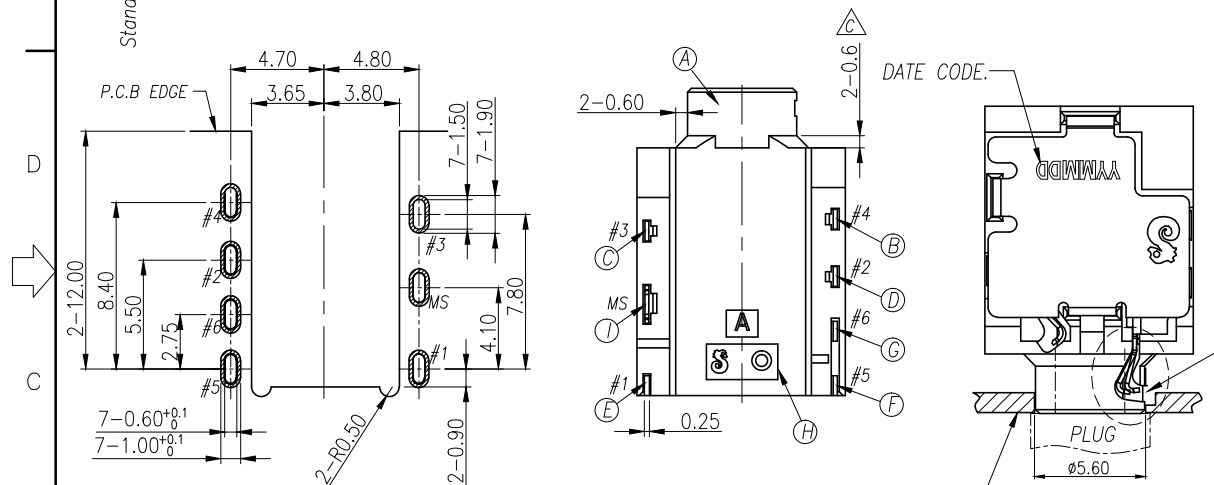
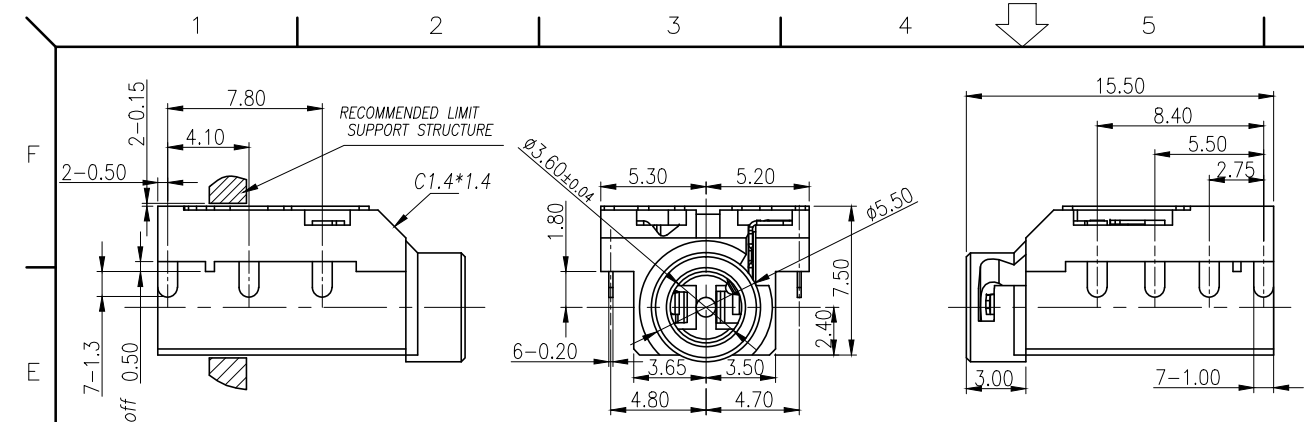
SPECIFICATIONS:

- ELECTRICAL CHARACTERISTICS:
  - RATING: 12V 1A
  - CONTACT RESISTANCE: 50mΩ MAX.(INITIAL)
  - DIELECTRIC WITHSTANDING VOLTAGE: 500V AC FOR ONE MINUTE.
  - INSULATION RESISTANCE: 100MΩ MIN. MEASURED BY 500 VDC.
- LIFE TEST: 2,000 CYCLES MIN.
- MECHANICAL CHARACTERISTICS:
  - BEFORE LIFE TEST: INSERTION FORCE: 0.8-3.0 Kgf, EXTRACTION FORCE: 0.6-1.8 Kgf,
  - AFTER LIFE TEST: INSERTION FORCE: 2.5 Kgf MAX, EXTRACTION FORCE: 0.5 Kgf MIN,
  - AFTER LIFE TEST, CONTACT RESISTANCE: 100mΩ MAX.
- PACKAGING : TAPE & REEL.
- AFTER HUMIDITY TEST, INSULATION RESISTANCE: 50MΩ MIN.
- TO CONFORM TO SINGATRON HAZARDOUS SUBSTANCE FREE SPEC.
- HALOGEN FREE PRODUCT IDENTIFICATION MARK ON PRODUCT:
- HALOGEN FREE PRODUCT IDENTIFICATION LOGO ON PACKAGING:
- FOR REFLOW SOLDERING LEAD-FREE PROCESS.
- PRINTED DATE CODE "YYMMDD-" ON TOP OF CONNECTOR.

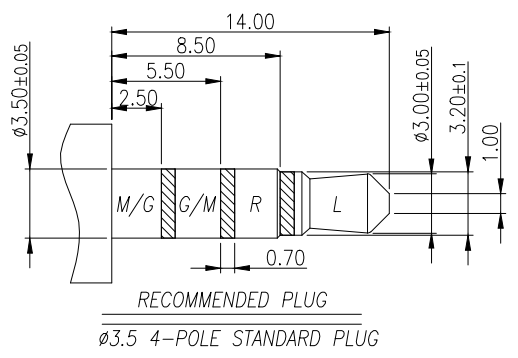
2SJ3080-124X11F  
 1:G/F  
 2:Au 30u"

I	SHELL	1	BRASS 0.2t	Ni 60u"Min.
H	SEPARATOR	1	HIGH TEMP.THERMOPLASTIC UI 94V-0	BLACK
G	MAKE TERMINAL	1	PHOSPHOR BRONZE 0.2t	GOLD FLASH ON CONTACT AREA; GOLD FLASH ON SOLDER AREA; ALL OVER 50u" Ni
F	TRANSFER TERMINAL	1	PHOSPHOR BRONZE 0.2t	GOLD FLASH ON CONTACT AREA; MATTE TIN 120u" ON SOLDER AREA; ALL OVER 50u" Ni
E	TIP SPRING	1	SUS304-1/2H 0.25t	6/7 OF Au 30u" ON CONTACT AREA; GOLD FLASH ON SOLDER AREA; ALL OVER 50u" Ni
D	RING A	1	PHOSPHOR BRONZE 0.2t	6/7 OF Au 30u" ON CONTACT AREA; MATTE Sn80u" ON SOLDER AREA; ALL OVER 50u" Ni
C	RING B	1	PHOSPHOR BRONZE 0.2t	
B	EARTH	1	PHOSPHOR BRONZE 0.2t	
A	BODY	1	HIGH TEMP.THERMOPLASTIC UI 94V-0	BLACK
NO	DESCRIPTION	QTY	MATERIAL	PLATING & COLOR

UNLESS OTHERWISE SPECIFIED TOLERANCES		Singatron Enterprise Co., Ltd. 信音企業股份有限公司	
DECIMALS:	ANGLES:	TITLE	
X :±0.5	X :±2°	DWN	Xinzhi
X.X :±0.3	X.X :±1°	CHKD	Bruce
X.XX :±0.2		APVD	Liao
		<b>3.5φ AUDIO JACK</b> <b>PART NO. 2SJ3080-124X11F</b> SCALE 4:1 UNIT: mm SIZE: A3 SHEET:1 OF 1 REV:C	
<b>CUSTOMER COPY</b>			



RECOMMENDED PCB LAYOUT  
 TOP VIEW ; TOL.±0.05



RECOMMENDED PLUG  
 3.5 4-POLE STANDARD PLUG