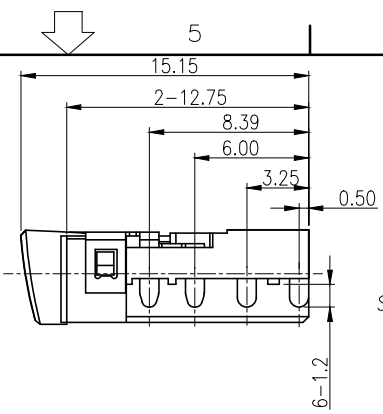
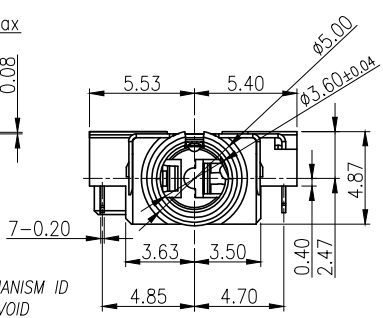
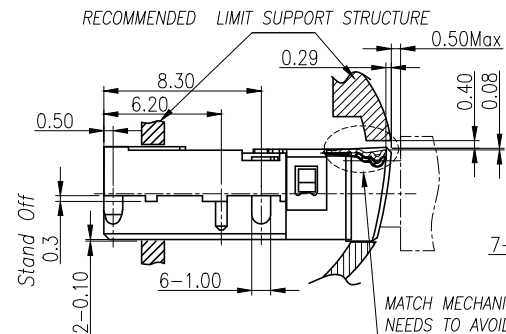
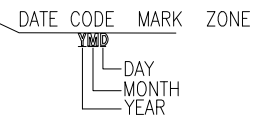
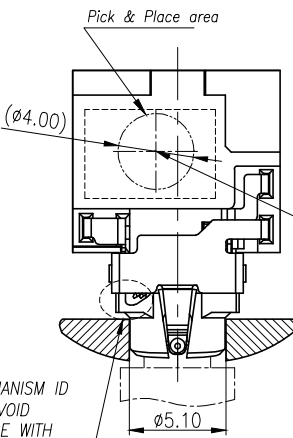
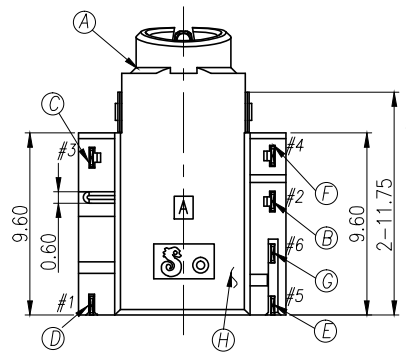
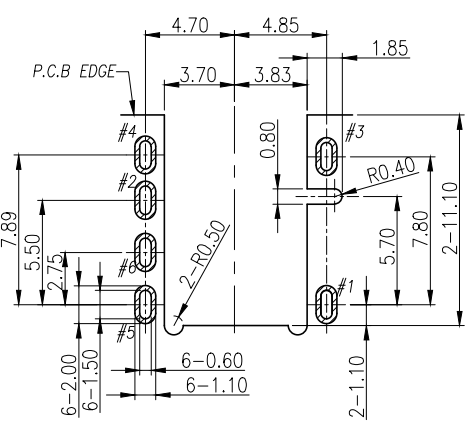


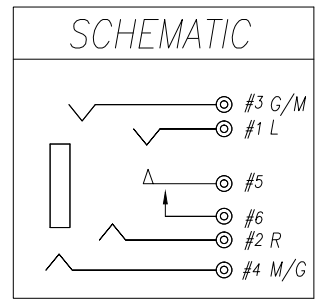
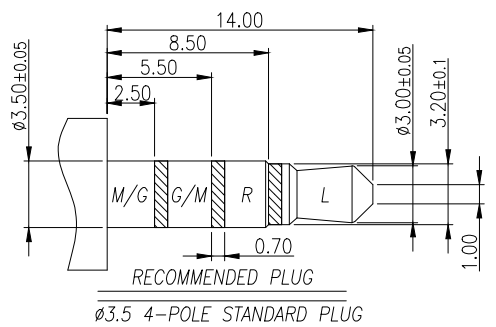
REV.	ECN NO OR DESCRIPTION	REVISED	DATE
A	PDR NO:T180510-2A	Xinzhi	2019.01.04



- SPECIFICATIONS:**
- ELECTRICAL CHARACTERISTICS:**
 - 1-1. RATING: 12V 1A
 - 1-2. CONTACT RESISTANCE: 50mΩ MAX.(INITIAL)
 - 1-3. DIELECTRIC WITHSTANDING VOLTAGE: 500V AC FOR ONE MINUTE.
 - 1-4. INSULATION RESISTANCE: 100MΩ MIN. MEASURED BY 500V DC
 - MECHANICAL CHARACTERISTICS:**
 - 2-1. INSERTION FORCE : 0.3~3.0 KGF
 - 2-2. WITHDRAWAL FORCE : 0.3~3.0 KGF
 - LIFE TEST: 5,000 CYCLES MIN.**
 - OTHER GENERAL SPEC. TO REFER "2SJ3080 SERIES SPEC".**
 - TO CONFORM TO SINGATRON HAZARDOUS SUBSTANCE FREE SPEC.**
 - HALOGEN FREE PRODUCT IDENTIFICATION MARK ON PRODUCT:**
 - HALOGEN FREE PRODUCT IDENTIFICATION LOGO ON PACKAGING:**
 - FOR REFLOW SOLDERING LEAD-FREE PROCESS.**



RECOMMENDED PCB LAYOUT
TOP VIEW ; TOL.±0.05



NO	DESCRIPTION	QTY	MATERIAL	PLATING & COLOR
H	SEPARATOR	1	HIGH TEMP.THERMOPLASTIC UL 94V-0	BLACK
G	MAKE TERMINAL	1	PHOSPHOR BRONZE 0.2t	GOLD FLASH ON CONTACT AREA; GOLD FLASH ON SOLDER AREA; ALL OVER 50u" Ni.
F	EARTH	1	PHOSPHOR BRONZE 0.2t	
E	TRANSFER TERMINAL	1	PHOSPHOR BRONZE 0.2t	GOLD FLASH ON CONTACT AREA; Matte Sn80u" ON SOLDER AREA; ALL OVER 50u" Ni.
D	TIP SPRING	1	STAINLESS STEEL 0.2t	
C	RING B	1	PHOSPHOR BRONZE 0.2t	
B	RING A	1	PHOSPHOR BRONZE 0.2t	GOLD FLASH ON CONTACT AREA; GOLD FLASH ON SOLDER AREA; ALL OVER 50u" Ni.
A	BODY	1	HIGH TEMP.THERMOPLASTIC UL 94V-0	BLACK

UNLESS OTHERWISE SPECIFIED TOLERANCES		Singatron Enterprise Co., Ltd. 信音企業股份有限公司	
DECIMALS:	ANGLES:	TITLE	
X :±0.5	X :±2°	3.5ø AUDIO JACK	
X.X :±0.3	X.X :±1°	DWN	Xinzhi PART NO. 2SJ3080-126111F
X.XX :±0.2		CHKD	BRUCE SCALE 4:1 UNIT: mm
		APVD	LIAO SIZE: A3 SHEET:1 OF 1 REV:A
CUSTOMER COPY			