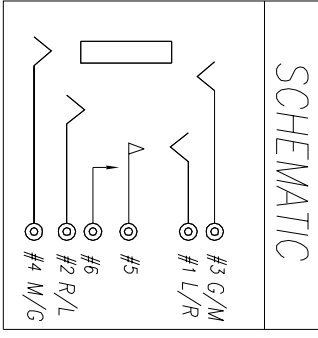
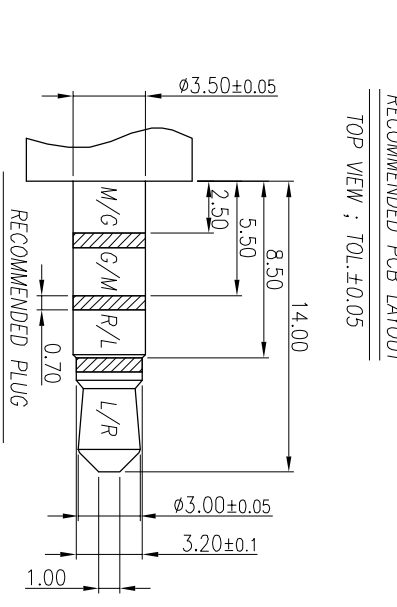
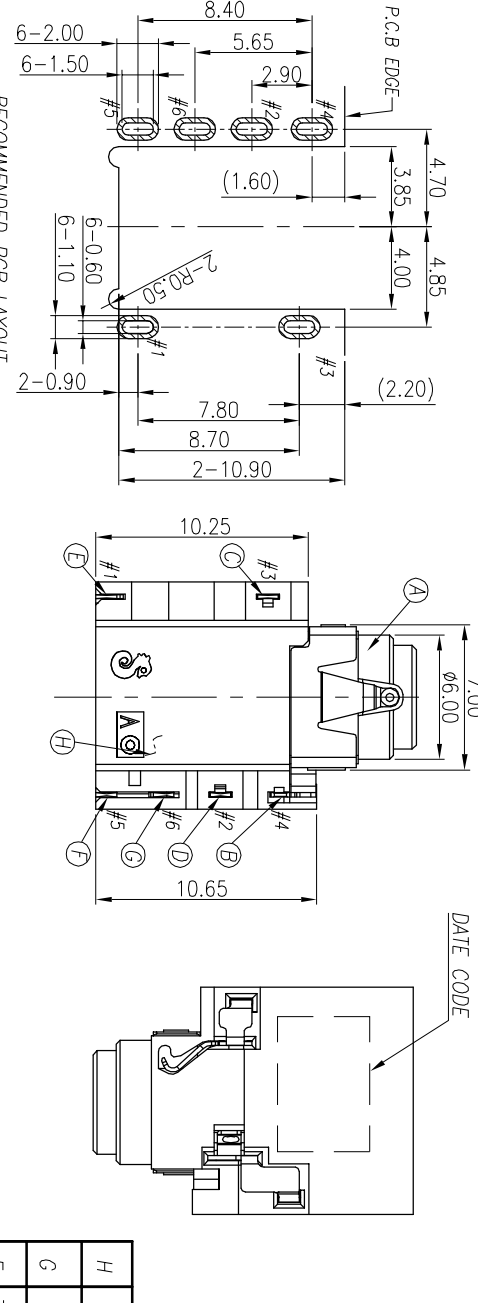
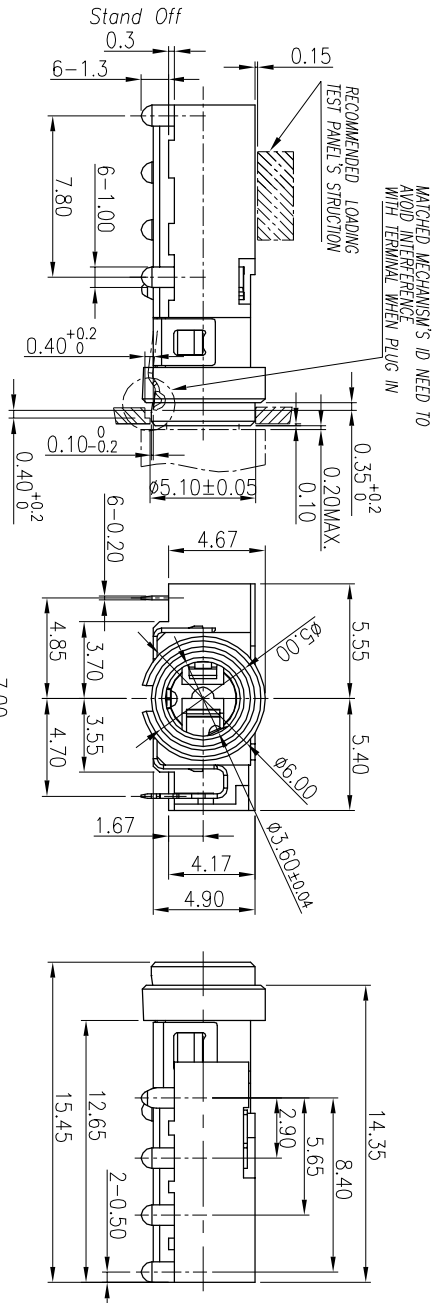


REV.	ECN NO.	OR DESCRIPTION	REVISED	DATE
A	PDR NO: T190226-2A/2B	Peng	2019.07.24	



- DATE CODE
- RECOMMENDED PCB LAYOUT
- TOP VIEW : TOL. ±0.05
- RECOMMENDED LOADING TEST PANEL'S SITUATION AND INTERFERENCE WITH TERMINAL WHEN PLUG IN
- MATCHED MECHANISM'S ID NEED TO
1. ELECTRICAL CHARACTERISTICS:  
 1-1. RATING: 12V 1A  
 1-2. CONTACT RESISTANCE: 50mΩ MAX.(INITIAL)  
 1-3. DIELECTRIC WITHSTANDING VOLTAGE: 500V AC FOR ONE MINUTE.  
 1-4. INSULATION RESISTANCE: 100MΩ MIN. MEASURED BY 500 VDC.  
 2. LIFE TEST: 2,000 CYCLES MIN.  
 AFTER LIFE TEST, CONTACT RESISTANCE: 100mΩ MAX.  
 3. MECHANICAL CHARACTERISTICS:  
 3-1. BEFORE LIFE TEST: INSERTION FORCE: 0.6-1.8 Kgf, EXTRACTION FORCE: 2.5 Kgf MAX.  
 3-2. AFTER LIFE TEST: INSERTION FORCE: 0.8-3.0 Kgf, EXTRACTION FORCE: 0.5 Kgf MIN.  
 4. PACKAGING : TAPE & REEL.  
 5. AFTER HUMIDITY TEST, INSULATION RESISTANCE: 50MΩ MIN.  
 6. TO CONFORM TO SINGATRON HAZARDOUS SUBSTANCE FREE SPEC.  
 7. HALOGEN FREE PRODUCT IDENTIFICATION MARK ON PRODUCT:  
 8. HALOGEN FREE PRODUCT IDENTIFICATION LOGO ON PACKAGING:  
 9. FOR LEAD-FREE PROCESS.  
 10. PRINTED DATE CODE "MMDD" ON TOP OF CONNECTOR.

TABLE

P/N	PLATING
2SJ3080-133111F	COLD FLASH ON CONTACT AREA;
2SJ3080-133211F	Au 300" ON CONTACT AREA;

H	SEPARATOR	1	HIGH TEMP.THERMOPLASTIC	UL 94V-0	BLACK
G	MAKE TERMINAL	1	PHOSPHOR BRONZE 0.2t		COLD FLASH ON CONTACT AREA; COLD FLASH ON SOLDER AREA; ALL OVER 50μ" IN.
F	TRANSFER TERMINAL	1	PHOSPHOR BRONZE 0.2t		COLD FLASH ON CONTACT AREA; Male Solder <sup>®</sup> ON SOLDER AREA; ALL OVER 50μ" IN.
E	TIP SPRING	1	STAINLESS STEEL, 0.2t		SEE TABLE ON CONTACT AREA;
D	RING A	1	PHOSPHOR BRONZE 0.2t		Male Solder <sup>®</sup> ON SOLDER AREA;
C	RING B	1	PHOSPHOR BRONZE 0.2t		ALL OVER 50μ" IN.
B	EARTH	1	PHOSPHOR BRONZE 0.2t		
A	BODY	1	HIGH TEMP.THERMOPLASTIC	UL 94V-0	BLACK
NO	DESCRIPTION	QTY	MATERIAL		PLATING & COLOR

UNLESS OTHERWISE SPECIFIED TOLERANCES

Singatron Enterprise Co., Ltd.  
 信登企業股份有限公司

3.5φ Audio JACK

TITLE

DWN Peng PART NO. 2SJ3080-133X11F  
 CHKD Bruce SCALE 4:1 UNIT: mm  
 APVD Liao SIZE: A3 SHEET: 1 OF 1 REV: A

DECIMALS: ANGLES:  
 X :±0.5 X :±2°  
 X.X :±0.3 X.X :±1°  
 X.XX :±0.2

CUSTOMER COPY