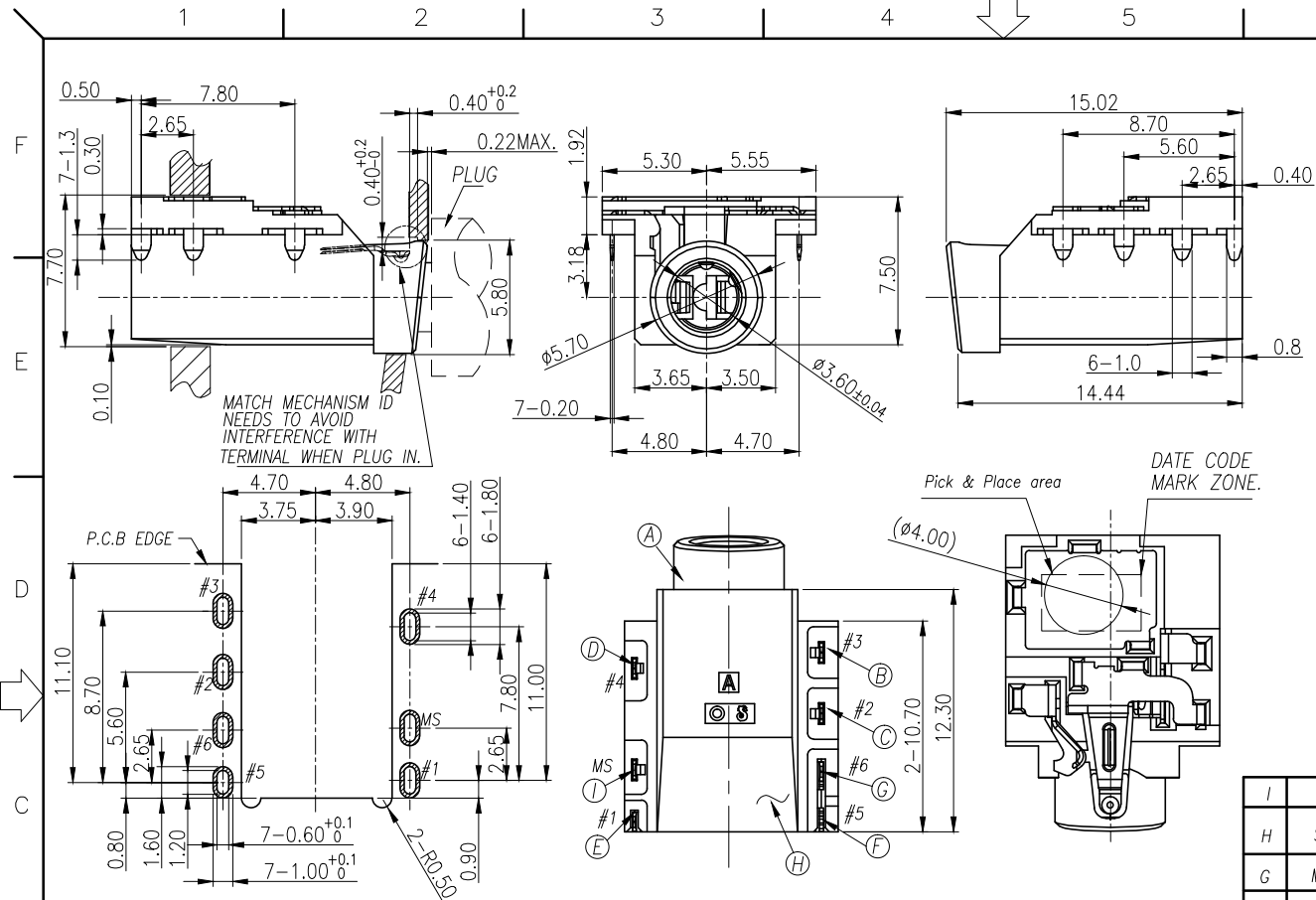


REV.	ECN NO OR DESCRIPTION	REVISED	DATE
A	PDR NO: T190610-1A&1B	Xinzhi	2020.01.17

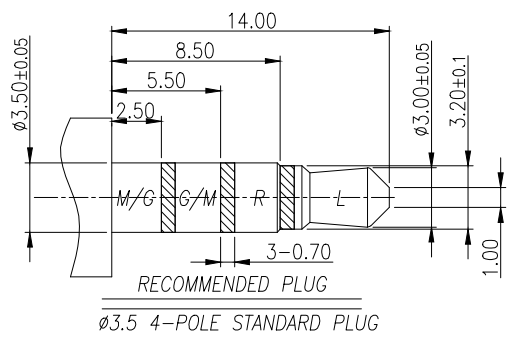
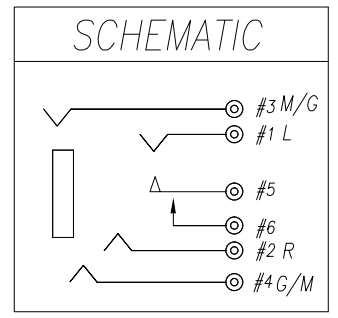


- SPECIFICATIONS:**
- ELECTRICAL CHARACTERISTICS:**
 - 1-1. RATING: 12V 1A
 - 1-2. CONTACT RESISTANCE: 50mΩ MAX.(INITIAL)
 - 1-3. DIELECTRIC WITHSTANDING VOLTAGE: 500V AC FOR ONE MINUTE.
 - 1-4. INSULATION RESISTANCE: 100MΩ MIN. MEASURED BY 500 VDC.
 - MECHANICAL CHARACTERISTICS:**
 - 2-1. INITIAL: INSERTION FORCE: 0.8 - 3.0Kgf. WITHDRAWAL FORCE: 0.6 - 1.8Kgf.
 - 2-2. AFTER 2000 TIMES: INSERTION FORCE: 2.5Kgf Max. WITHDRAWAL FORCE: 0.5Kgf Min.
 - LIFE TEST:** 2,000 CYCLES . AFTER LIFE TEST, CONTACT RESISTANCE: 120mΩ MAX.
 - PACKAGING :** TAPE & REEL.
 - AFTER HUMIDITY TEST,** INSULATION RESISTANCE: 50MΩ MIN.
 - TO CONFORM TO SINGATRON HAZARDOUS SUBSTANCE FREE SPEC.**
 - HALOGEN FREE PRODUCT IDENTIFICATION MARK ON PRODUCT:**
 - HALOGEN FREE PRODUCT IDENTIFICATION LOGO ON PACKAGING:**
 - FOR REFLOW SOLDERING LEAD-FREE PROCESS.**
 - PRINTED DATE CODE "YMD-" ON TOP OF CONNECTOR.**

RECOMMENDED PCB LAYOUT
TOP VIEW ; TOL.±0.05

TABLE 1 :

P/N	PLATING SPEC
2SJ3080-137111F	GOLD FLASH ON CONTACT AREA;
2SJ3080-137211F	Au 30u" Min. ON CONTACT AREA



I	SHELL	1	STAINLESS STEEL, 0.2t	Ni 60u"Min.
H	SEPARATOR	1	HIGH TEMP.THERMOPLASTIC UL 94V-0	BLACK
G	MAKE TERMINAL	1	PHOSPHOR BRONZE 0.2t	GOLD GLASH ON CONTACT AREA; GOLD FLASH ON SOLDER AREA; ALL OVER 50u" Ni.
F	TRANSFER TERMINAL	1	PHOSPHOR BRONZE 0.2t	
E	TIP SPRING	1	STAINLESS STEEL, 0.2t	SEE TABLE ON CONTACT AREA; Matte Sn80u" ON SOLDER AREA ALL OVER 50u" Ni.
D	RING B	1	PHOSPHOR BRONZE 0.2t	
C	RING A	1	PHOSPHOR BRONZE 0.2t	SEE TABLE ON CONTACT AREA; GOLD FLASH ON SOLDER AREA; ALL OVER 50u" Ni.
B	EARTH	1	PHOSPHOR BRONZE 0.2t	SEE TABLE ON CONTACT AREA; Matte Sn80u" ON SOLDER AREA ALL OVER 50u" Ni.
A	BODY	1	HIGH TEMP.THERMOPLASTIC UL 94V-0	BLACK
NO	DESCRIPTION	QTY	MATERIAL	PLATING & COLOR
UNLESS OTHERWISE SPECIFIED TOLERANCES			Singatron Enterprise Co., Ltd. 信音企業股份有限公司	
DECIMALS:		TITLE: 3.5Ø AUDIO JACK		
ANGLES:		DWN Xinzhi PART NO. 2SJ3080-137X11F		
X :±0.5	X :±2°	CHKD Bruce	SCALE 4:1	UNIT: mm
X.X :±0.3	X.X :±1°	APVD Liao	SIZE: A3	SHEET: 1 OF 1
X.XX :±0.2		REV: A		
CUSTOMER COPY				