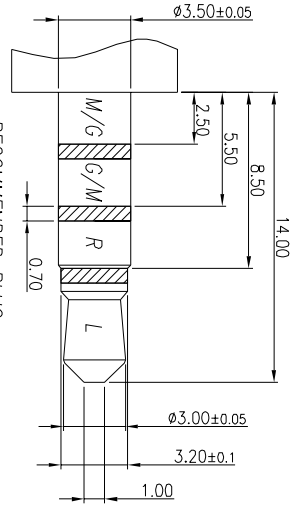
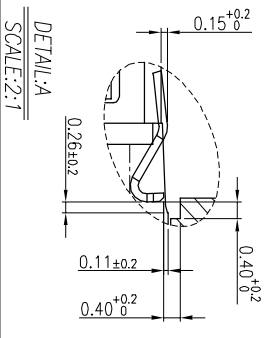
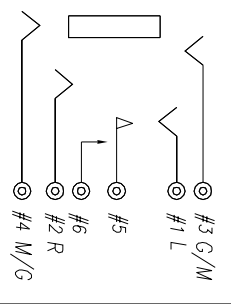


RECOMMENDED PCB LAYOUT
TOP VIEW ; TOL.±0.05



SCHEMATIC



SPECIFICATIONS:

- 1. ELECTRICAL CHARACTERISTICS:**
- 1-1. RATING: 12V 1A
 - 1-2. CONTACT RESISTANCE: 50mΩ MAX.(INITIAL)
 - 1-3. DIELECTRIC WITHSTANDING VOLTAGE: 500V AC FOR ONE MINUTE.
 - 1-4. INSULATION RESISTANCE: 100MΩ MIN. MEASURED BY 500 VDC.
- 2. MECHANICAL CHARACTERISTICS:**
- 2-1. INSERTION FORCE: INITIAL 0.3-3.0kgf;
 - 2-2. WITHDRAWAL FORCE: INITIAL 0.3-3.0kgf;
- 3. LIFE TEST: 5,000 CYCLES MIN.**
- AFTER LIFE TEST, CONTACT RESISTANCE: 100mΩ MAX.**
- 4. PACKAGING : TAPE & REEL.
 - 5. AFTER HUMIDITY TEST, INSULATION RESISTANCE: 50MΩ MIN.
 - 6. TO CONFORM TO SINGATRON HAZARDOUS SUBSTANCE FREE SPEC.
 - 7. HALOGEN FREE PRODUCT IDENTIFICATION MARK ON PRODUCT:
 - 8. HALOGEN FREE PRODUCT IDENTIFICATION LOGO ON PACKAGING:
 - 9. FOR REFLOW SOLDERING LEAD-FREE PROCESS.
 - 10. PRINTED DATE CODE "YMD=" ON TOP OF CONNECTOR.

H	SEPARATOR	1	HIGH TEMP.THERMOPLASTIC	BLACK
G	MAKE TERMINAL	1	PHOSPHOR BRONZE 0.2t	GOOD FLASH ON CONTACT AREA GOOD FLASH ON SOLDER TAIL ALL OVER IN 50 μ" MIN.
F	TRANSFER TERMINAL	1	PHOSPHOR BRONZE 0.2t	
E	TIP SPRING	1	PHOSPHOR BRONZE 0.2t	
D	RING A	1	PHOSPHOR BRONZE 0.2t	GOOD FLASH ON CONTACT AREA
C	RING B	1	PHOSPHOR BRONZE 0.2t	HALOGEN FREE ALL OVER 500 μ" MIN.
B	EARTH	1	PHOSPHOR BRONZE 0.2t	
A	BODY	1	HIGH TEMP.THERMOPLASTIC	BLACK
NO	DESCRIPTION	QTY	MATERIAL	PLATING & COLOR
UNLESS OTHERWISE SPECIFIED TOLERANCES				
Singatron Enterprise Co., Ltd. 信晉企業股份有限公司				
DECIMALS:		ANGLES:		
X	:±0.5	X	:±2°	
X.X	:±0.3	X.X	:±1°	
X.XX	:±0.2			
TITLE		3.5Ø AUDIO JACK		
DWN	Qty	PART NO.	2S13080-142111F	
CHKD	By	SCALE	4:1 UNIT: mm	
APVD	L100	SIZE	A3 SHEET: 1 OF 1 REV: A	
CUSTOMER COPY				