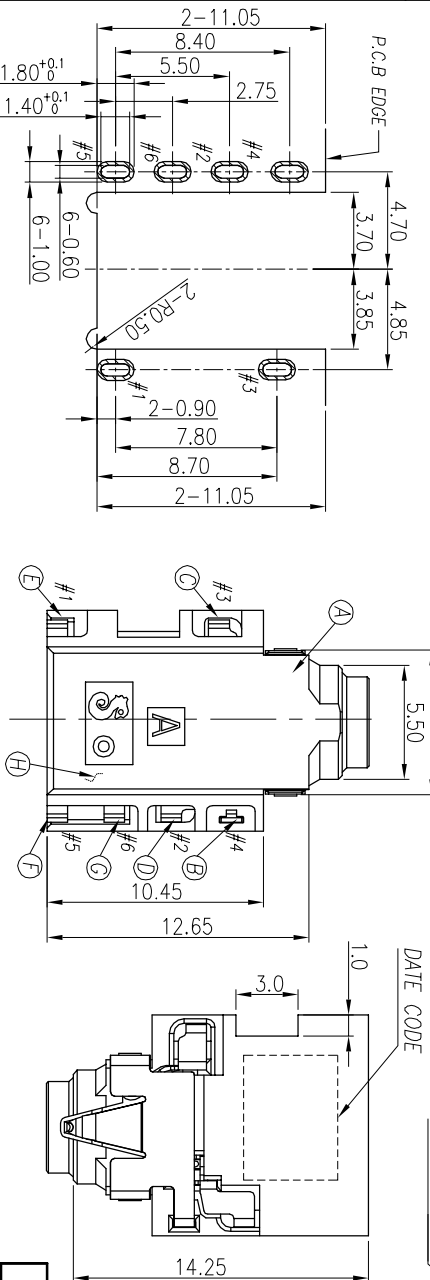
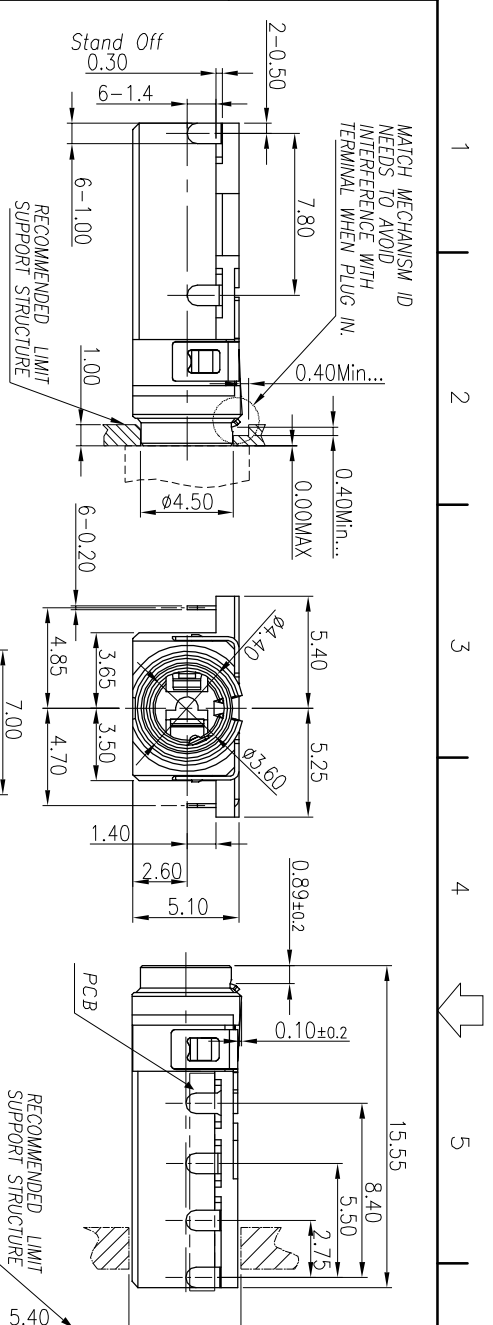
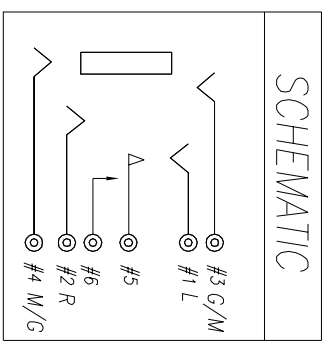
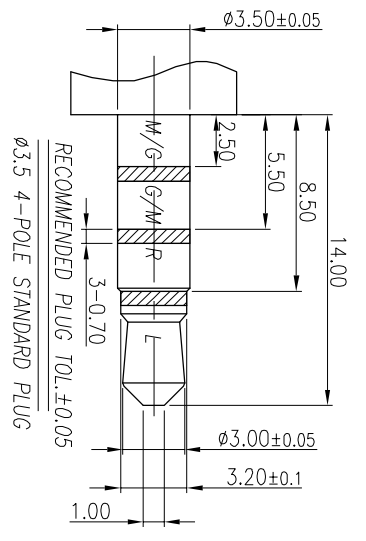


| | | |
|----------------------------|---------|------------|
| REV. EGN NO OR DESCRIPTION | REVISED | DATE |
| A PDR NO: T200707-4A | Peng | 2021.01.07 |



RECOMMENDED PCB LAYOUT
TOP VIEW : TOL.±0.05



- SPECIFICATIONS:
- ELECTRICAL CHARACTERISTICS:
 - RATING: 12V 1A
 - CONTACT RESISTANCE: 50mΩ MAX (INITIAL)
 - DIELECTRIC WITHSTANDING VOLTAGE: 500V AC FOR ONE MINUTE.
 - INSULATION RESISTANCE: 100MΩ MIN. MEASURED BY 500 VDC.
 - MECHANICAL CHARACTERISTICS:
 - INSERTION FORCE: 1.0~2.5kgf (AFTER 5 CYCLES) ;
 - WITHDRAWAL FORCE: 0.6~1.8kgf (AFTER 5 CYCLES) ;
 - LIFE TEST: 3,000 CYCLES MIN.
 - AFTER LIFE TEST, CONTACT RESISTANCE: 100mΩ MAX.
 - MARKING: MARK "S" ON TOP OF CONNECTOR.
 - PACKAGING : TAPE & REEL.
 - AFTER HUMIDITY TEST, INSULATION RESISTANCE: 50MΩ MIN.
 - TO CONFORM TO SINGATRON HAZARDOUS SUBSTANCE FREE SPEC.
 - HALOGEN FREE PRODUCT IDENTIFICATION MARK ON PRODUCT:
 - HALOGEN FREE PRODUCT IDENTIFICATION LOGO ON PACKAGING:
 - PLEASE PUT THE PRODUCT IN A CONDITION WHERE IS FULL OF NITROGEN WHEN PASS THE IR REFLW
 - FOR REFLOW SOLDERING LEAD-FREE PROCESS.
 - PRINTED DATE CODE "WMD-" ON TOP OF CONNECTOR.

| | | | | |
|----|-------------------|-----|--|--|
| H | SEPARATOR | 1 | HIGH TEMP.THERMOPLASTIC UL 94V-0 | BLACK |
| G | MAKE TERMINAL | 1 | PHOSPHOR BRONZE 0.2t GOLD TIEUP ON CONTACT AREA AND SOLDER TAB. ALL OVER 50μ IN. | |
| F | TRANSFER TERMINAL | 1 | PHOSPHOR BRONZE 0.2t | |
| E | TIP SPRING | 1 | STAINLESS STEEL 0.2t | |
| D | RING A | 1 | PHOSPHOR BRONZE 0.2t | GOLD TIEUP ON CONTACT AREA |
| C | RING B | 1 | PHOSPHOR BRONZE 0.2t | HAIR 50100μ ON SOLDER AREA ALL OVER 50μ IN. |
| B | EARTH | 1 | PHOSPHOR BRONZE 0.2t | |
| A | BODY | 1 | HIGH TEMP.THERMOPLASTIC UL 94V-0 | BLACK |
| NO | DESCRIPTION | QTY | MATERIAL | PLATING & COLOR |

UNLESS OTHERWISE SPECIFIED TOLERANCES

Singatron Enterprise Co., Ltd.
信登企業股份有限公司

3.5φ AUDIO JACK

| | | | |
|-------|-------|-----------|--------------------------|
| TITLE | DWM | Peng | PART NO. 2S13080-156111F |
| CHKD | Bruce | SCALE 4:1 | UNIT: mm |
| APVD | Lico | SIZE: A3 | SHEET: 1 OF 1 |

REVISION: A

CUSTOMER COPY