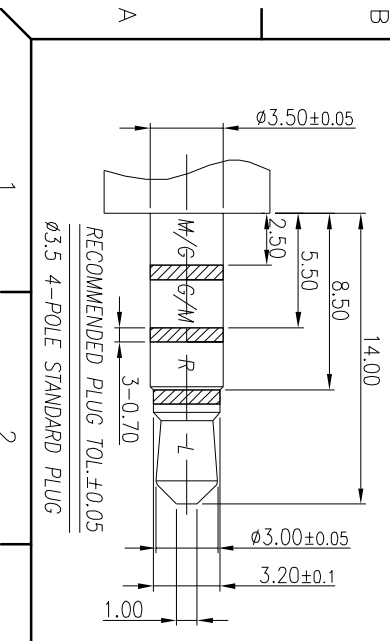
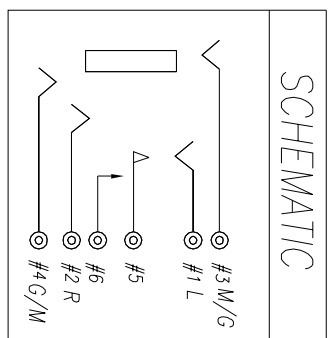


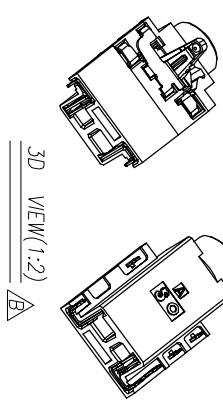
RECOMMENDED PCB LAYOUT  
TOP VIEW : TOL.±0.05

TABLE 1 :

P/N	PLATING SPEC
2SJS080-157111F	GOLD FLASH ON CONTACT AREA.
2SJS080-157211F	Au 300" Min. ON CONTACT AREA



- SPECIFICATIONS:
- ELECTRICAL CHARACTERISTICS:
    - 1-1. RATING: 12V 1A
    - 1-2. CONTACT RESISTANCE: 50mΩ MAX (INITIAL)
    - 1-3. DIELECTRIC WITHSTANDING VOLTAGE: 500V AC FOR ONE MINUTE
    - 1-4. INSULATION RESISTANCE: 100MΩ(1) MIN. MEASURED BY 500 VDC
  - MECHANICAL CHARACTERISTICS:
    - 2-1. INSERTION FORCE: 1.0 ~ 2.5kgf AFTER THE FITTING TIME; 2.5 Kgf Max AFTER THE 2000th; 0.5 Kgf Min. AFTER THE 2000th
    - 2-2. WITHDRAWAL FORCE: 0.6~1.8kgf AFTER THE FITTING TIME; 0.5 Kgf Min. AFTER THE 2000th
  - LIFE TEST: 2,000 CYCLES MIN.
  - AFTER LIFE TEST CONTACT RESISTANCE: 50mΩ MAX.
  - PACKAGING : TAPE & REEL.
  - MARKING: MARK "S" ON CONNECTOR.
  - TO CONFORM TO SINGATRON HAZARDOUS SUBSTANCE FREE SPEC.
  - HALOGEN FREE PRODUCT IDENTIFICATION MARK ON PRODUCT.
  - HALOGEN FREE PRODUCT IDENTIFICATION LOGO ON PACKAGING.
  - PRINTED DATE CODE "MMDD" ON TOP OF CONNECTOR.



NO	DESCRIPTION	QTY	MATERIAL	PLATING & COLOR
H	SEPARATOR	1	HIGH TEMP THERMOPLASTIC UL 94V-0	BLACK
G	MAKE TERMINAL	1	PHOSPHOR BRONZE 0.2t	GOLD FLASH ON CONTACT AREA; GOLD FLASH ON SOLDER AREA; ALL OVER 50u" Ni.
F	EARTH	1	PHOSPHOR BRONZE 0.2t	SEE TABLE ON CONTACT AREA; ALL OVER 50u" Ni.
E	TRANSFER TERMINAL	1	PHOSPHOR BRONZE 0.2t	GOLD FLASH ON CONTACT AREA; Moite Sn120u" ON SOLDER AREA ALL OVER 50u" Ni.
D	TIP SPRING	1	STAINLESS STEEL, 0.2t	SEE TABLE ON CONTACT AREA; GOLD FLASH ON SOLDER AREA; ALL OVER 50u" Ni.
C	RING A	1	PHOSPHOR BRONZE 0.2t	SEE TABLE ON CONTACT AREA; Moite Sn120u" ON SOLDER AREA ALL OVER 50u" Ni.
B	RING B	1	PHOSPHOR BRONZE 0.2t	SEE TABLE ON CONTACT AREA; Moite Sn120u" ON SOLDER AREA ALL OVER 50u" Ni.
A	BODY	1	HIGH TEMP THERMOPLASTIC UL 94V-0	BLACK
NO	DESCRIPTION	QTY	MATERIAL	PLATING & COLOR

UNLESS OTHERWISE SPECIFIED TOLERANCES

DECIMALS: ANGLES:

X :±0.5 X :±2°  
XX :±0.3 X.X :±1°  
X.XX :±0.2

TITLE: 3.5Ø AUDIO JACK  
DMN: Guorong PART NO. 2SJS080-157X11F  
CHKD: Bruce SCALE 2:1 UNIT: mm  
APVD: Loo SIZE: A3 SHEET: 1 OF 1 REV: B

CUSTOMER COPY

Singatron Enterprise Co., Ltd.  
信音企業股份有限公司

REV	ECN NO OR DESCRIPTION	REVISED	DATE
A	PDR NO:1200701-64/B	XinZhi	2020.12.23
B	ECN NO:S202105-R02	Guorong	2021.07.28