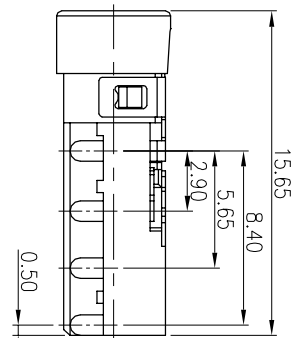
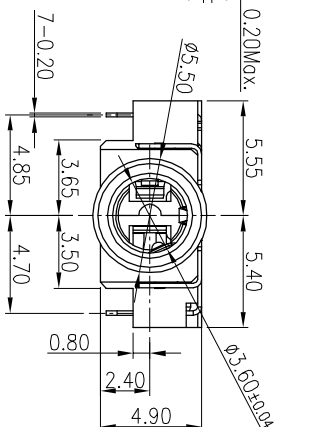
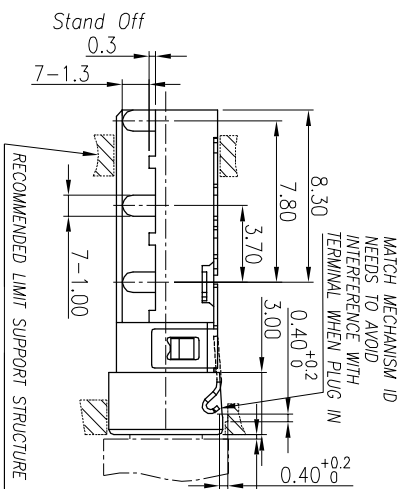
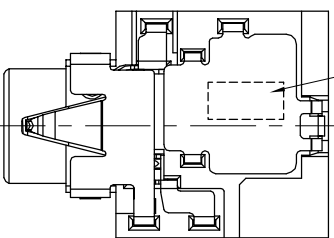
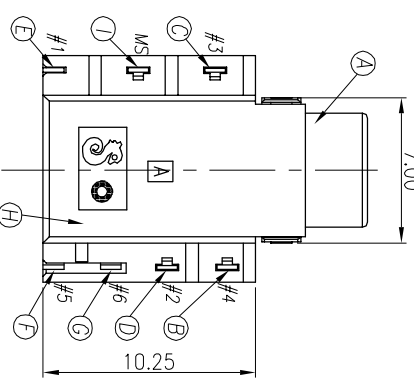
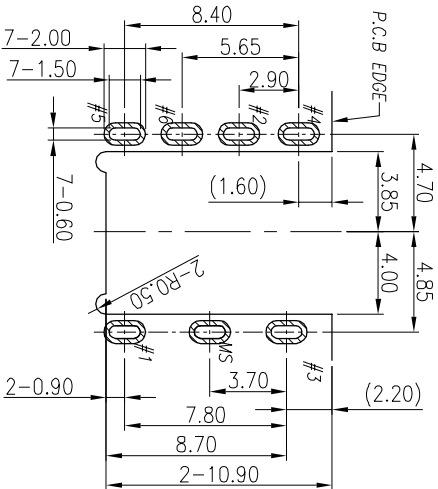


REV.	ECN NO.	OR DESCRIPTION	REVISED	DATE
A	PDR NO. T201110-34		Jinshuai	2021.05.11

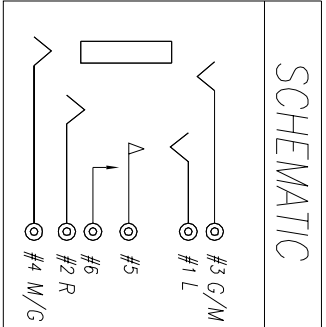
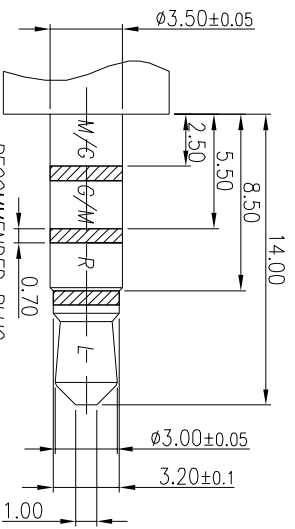


- SPECIFICATIONS:**
- 1. ELECTRICAL CHARACTERISTICS:
 - 1-1. RATING: 12V 1A
 - 1-2. CONTACT RESISTANCE: 50mΩ Max.(INITIAL)
 - 1-3. DIELECTRIC WITHSTANDING VOLTAGE: 500V AC FOR ONE MINUTE.
 - 1-4. INSULATION RESISTANCE: 100MΩ Min. MEASURED BY 500 VDC.
 - 2. MECHANICAL CHARACTERISTICS:
 - 2-1. INSERTION FORCE: 1.0-2.5kgf (AFTER 5 INSERTION CYCLES); 0.3-3.0kgf (AFTER LIFE TEST);
 - 2-2. WITHDRAWAL FORCE: 0.6-1.8kgf (AFTER 5 INSERTION CYCLES); 0.3-3.0kgf (AFTER LIFE TEST);
 - 3. LIFE TEST: 3,000 CYCLES Min.
 - 4. PACKAGING: TAPE & REEL.
 - 5. AFTER HUMIDITY TEST, INSULATION RESISTANCE: 50MΩ Min.
 - 6. TO CONFORM TO SINGATRON HAZARDOUS SUBSTANCE FREE SPEC.
 - 7. HALOGEN FREE PRODUCT IDENTIFICATION MARK ON PRODUCT:
 - 8. HALOGEN FREE PRODUCT IDENTIFICATION LOGO ON PACKAGING:
 - 9. FOR REFLOW SOLDERING LEAD-FREE PROCESS.
 - 10. PRINTED DATE CODE "YMD" ON TOP OF JACK.



- DATE CODE AREA (YMD)**

RECOMMENDED PCB LAYOUT
TOP VIEW ; TOL.±0.05



I	SHELL	1	BRASS 0.2t	60µm Min. NICKEL
H	SEPARATOR	1	HIGH TEMP.THERMOPLASTIC UL 94V-0	BLACK
G	MAKE TERMINAL	1	PHOSPHOR BRONZE 0.2t	1-3µm GOLD PLATING ON CONTACT AREA 1-3µm GOLD PLATING ON SOLDER AREA AND 50µm Min. NICKEL UNDER PLATING.
E	TIP SPRING	1	STAINLESS STEEL 0.2T	
F	TRANSFER TERMINAL	1	PHOSPHOR BRONZE 0.2t	
D	RING A	1	PHOSPHOR BRONZE 0.2t	1-3µm GOLD PLATING ON CONTACT AREA
C	RING B	1	PHOSPHOR BRONZE 0.2t	50µm WHITE-IN PLATING ON SOLDER AREA AND 50µm Min. NICKEL UNDER PLATING
B	EARTH	1	PHOSPHOR BRONZE 0.2t	
A	BODY	1	PA4T+30% GF (TX1) UL 94V-0	BLACK
NO	DESCRIPTION	QTY	MATERIAL	PLATING & COLOR

UNLESS OTHERWISE SPECIFIED TOLERANCES

DECIMALS:	ANGLES:
X :±0.5	X :±2°
X.X :±0.3	X.X :±1°
X.XX :±0.2	

TITLE	3.5Ø AUDIO JACK		
DWN	Jinshuai	PART NO.	2S13080-15B111F
CHKD	Bruce	SCALE	4:1 UNIT: mm
APVD	Max	SIZE: A3	SHEET: 1 OF 1 REV: A

CUSTOMER COPY