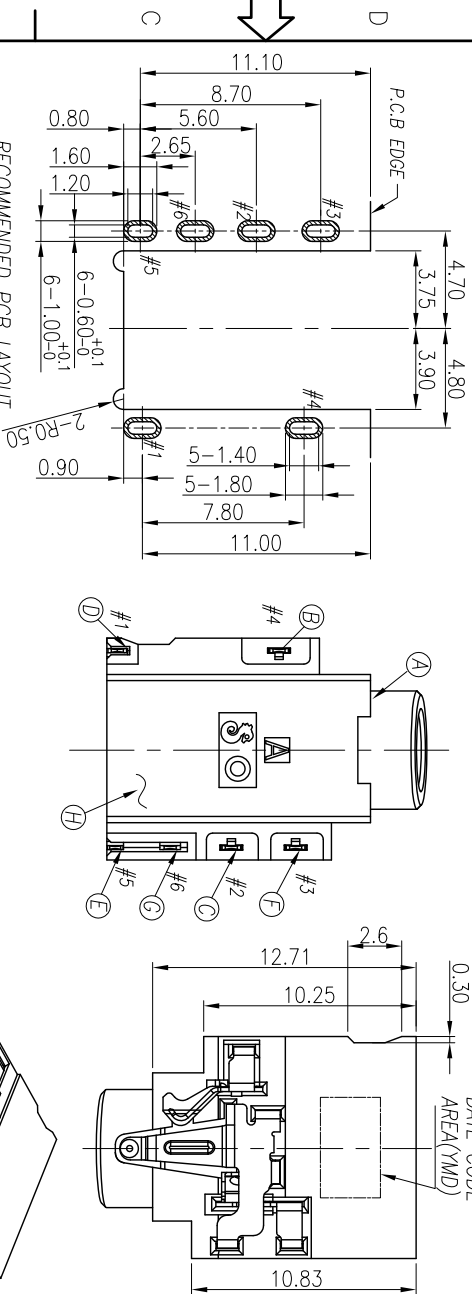
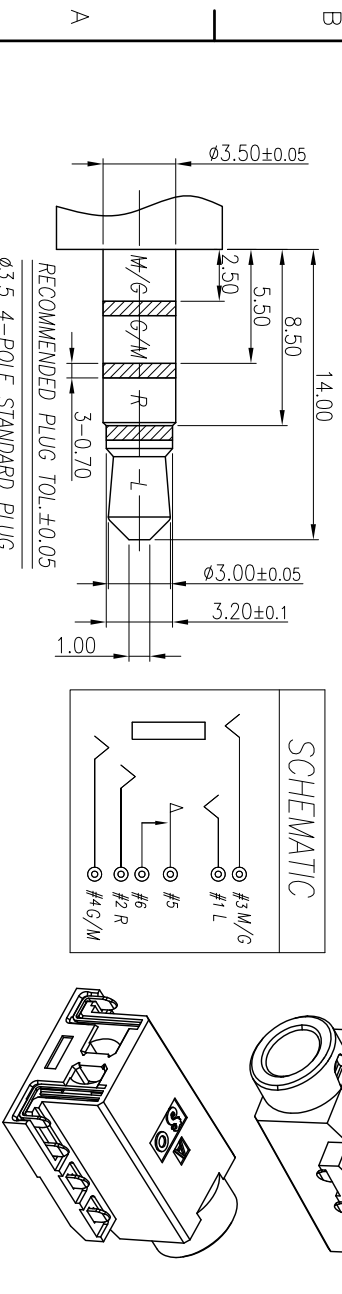


- RECOMMENDED LIMIT SUPPORT STRUCTURE
1. ELECTRICAL CHARACTERISTICS:
- 1-1. RATING: 12V 1A
  - 1-2. CONTACT RESISTANCE: 50mΩ MAX.(INITIAL)
  - 1-3. DIELECTRIC WITHSTANDING VOLTAGE: 500V AC FOR ONE MINUTE
  - 1-4. INSULATION RESISTANCE: 100MΩ MIN. MEASURED BY 500 VDC
2. MECHANICAL CHARACTERISTICS:
- 2-1. INSERTION FORCE: 0.8~3.0Kgf INITIAL ; 2.5 Kgf MAX. AFTER THE 2000TH
  - 2-2. WITHDRAWAL FORCE: 0.6~1.8Kgf INITIAL; 0.5 Kgf MIN. AFTER THE 2000TH
3. LIFE TEST: 2,000 CYCLES MIN.
4. AFTER LIFE TEST, CONTACT RESISTANCE: 100mΩ MAX.
5. PACKAGING: TAPE & REEL.
6. MARKING: MARK "S" ON JACK.
7. TO CONFORM TO SINGATRON HAZARDOUS SUBSTANCE FREE SPEC.
8. HALOGEN FREE PRODUCT IDENTIFICATION MARK ON PRODUCT:
9. HALOGEN FREE PRODUCT IDENTIFICATION LOGO ON PACKAGING:
10. PRINTED DATE CODE "MMDD" ON TOP OF JACK.



- RECOMMENDED PCB LAYOUT
- TOP VIEW ; TOL.±0.05
- DATE CODE AREA(YMD)
- 1: 1~3μin GOLD
- 2: 30μin GOLD



NO	DESCRIPTION	QTY	MATERIAL	PLATING & COLOR
A	BODY	1	UL 94V-0	BLACK
B	RING B	1	PHOSPHOR BRONZE 0.2t	
C	RING A	1	PHOSPHOR BRONZE 0.2t	
D	TIP SPRING	1	STAINLESS STEEL, 0.2t	
E	TRANSFER TERMINAL	1	PHOSPHOR BRONZE 0.2t	
F	EARTH	1	PHOSPHOR BRONZE 0.2t	
G	MAKE TERMINAL	1	PHOSPHOR BRONZE 0.2t	
H	SEPARATOR	1	HIGH TEMP.THERMOPLASTIC UL 94V-0	BLACK

UNLESS OTHERWISE SPECIFIED TOLERANCES

DECIMALS: ANGLES:

X : ±0.5 X : ±2°

X.X : ±0.3 X.X : ±1°

X.XX : ±0.2

Singatron Enterprise Co., Ltd.  
信音企業股份有限公司

TITLE: **ø3.5 AUDIO JACK R/A TYPE**

DWN: Jijuan PART NO. 2S3J3080-166X11F

CHKD: Bruce SCALE 2:1 UNIT: mm

APVD: Loo SIZE: A3 SHEET: 1 OF 1 REV: A

CUSTOMER COPY