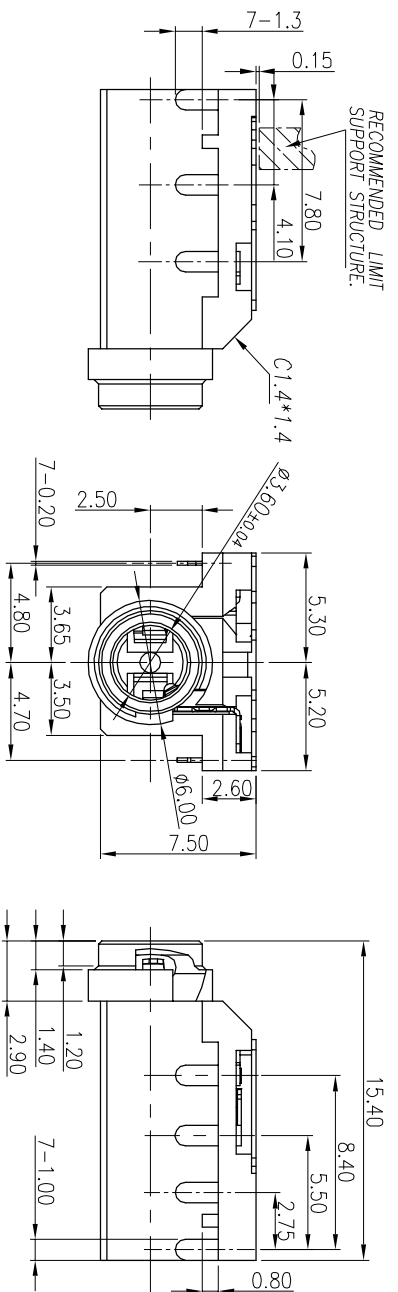
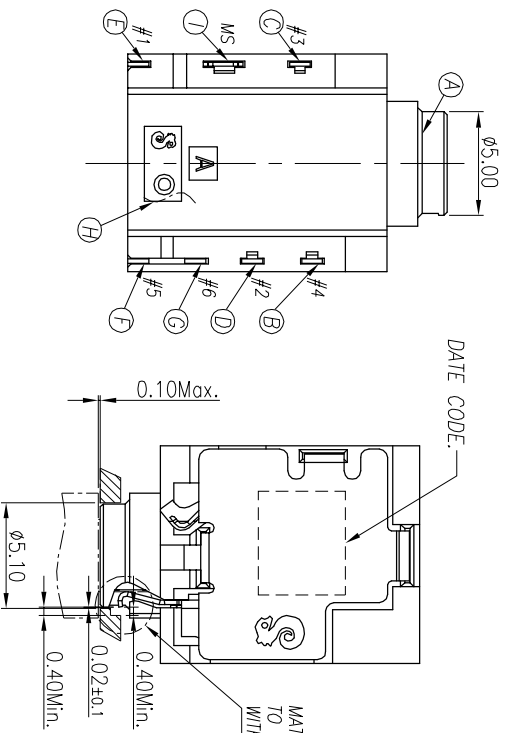


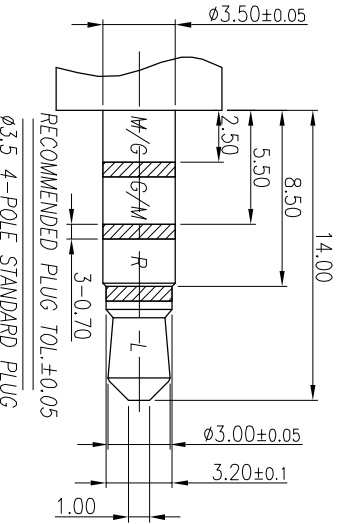
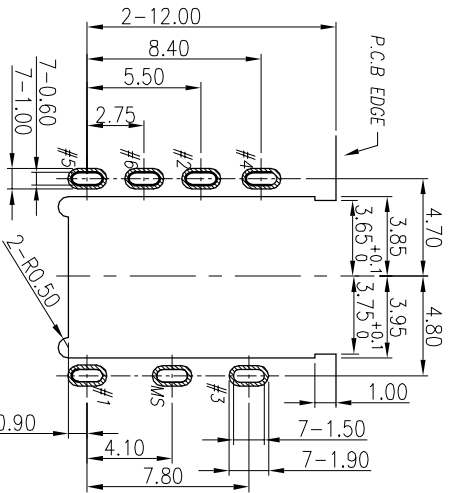
REV.	EGN NO OR DESCRIPTION	REVISED	DATE
A	PDR NO:1210914-2A	JIELIN	2022.03.04



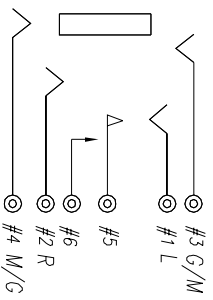
- SPECIFICATIONS:
- ELECTRICAL CHARACTERISTICS:
 - 1-1. RATING: 12V 1A
 - 1-2. CONTACT RESISTANCE: 50mΩ MAX.(INITIAL)
 - 1-3. DIELECTRIC WITHSTANDING VOLTAGE: 500V AC FOR ONE MINUTE.
 - 1-4. INSULATION RESISTANCE: 100MΩ MIN. MEASURED BY 500 VDC.
 - MECHANICAL CHARACTERISTICS:
 - 2-1. INSERTION FORCE: 0.3~3.0kgf;
 - 2-2. WITHDRAWAL FORCE: 0.3~3.0kgf;
 3. LIFE TEST: 5,000 CYCLES MIN. AFTER LIFE TEST, CONTACT RESISTANCE: 100mΩ MAX.
 4. MARKING: MARK "S" ON TOP OF CONNECTOR.
 5. PACKAGING : TAPE & REEL.
 6. AFTER HUMIDITY TEST, INSULATION RESISTANCE: 50MΩ MIN.
 7. TO CONFORM TO SINGATRON HAZARDOUS SUBSTANCE FREE SPEC.
 8. HALOGEN FREE PRODUCT IDENTIFICATION MARK ON PRODUCT:
 9. HALOGEN FREE PRODUCT IDENTIFICATION LOGO ON PACKAGING:
 10. FOR REFLOW SOLDERING LEAD-FREE PROCESS.
 11. PRINTED DATE CODE "MMDD=" ON TOP OF CONNECTOR.



RECOMMENDED PCB LAYOUT
TOP VIEW ; TOL.±0.05



SCHEMATIC



NO	DESCRIPTION	QTY	MATERIAL	PLATING & COLOR
I	SHELL	1	BRASS 0.2t	60µm Min. NICKEL PLATING
H	SEPARATOR	1	HIGH TEMP.THERMOPLASTIC UL 94V-0	BLACK
G	MAKE TERMINAL	1	PHOSPHOR BRONZE 0.2t	~3µm GOLD PLATING ON CONTACT AREA ~3µm GOLD PLATING ON SOLDER TAIL AREA AND 5µm NICKEL UNDER PLATING
F	TRANSFER TERMINAL	1	PHOSPHOR BRONZE 0.2t	~3µm GOLD PLATING ON CONTACT AREA ~3µm GOLD PLATING ON SOLDER TAIL AREA AND 5µm NICKEL UNDER PLATING
E	TIP SPRING	1	PHOSPHOR BRONZE 0.2t	
D	RING A	1	PHOSPHOR BRONZE 0.2t	~3µm GOLD PLATING ON CONTACT AREA ~3µm GOLD PLATING ON SOLDER TAIL AREA AND 5µm NICKEL UNDER PLATING
C	RING B	1	PHOSPHOR BRONZE 0.2t	
B	EARTH	1	PHOSPHOR BRONZE 0.2t	
A	BODY	1	HIGH TEMP.THERMOPLASTIC UL 94V-0	BLACK
NO	DESCRIPTION	QTY	MATERIAL	PLATING & COLOR

UNLESS OTHERWISE SPECIFIED TOLERANCES

DECIMALS: ANGLES:

X :±0.5 X :±2°
X.X :±0.3 X.X :±1°
X.XX :±0.2

Singatron Enterprise Co., Ltd.
信亨企業股份有限公司

TITLE: 3.5Ø AUDIO JACK

DWN: JIELIN PART NO. 2S13080-170111F
CHKD: Bruce SCALE 4:1 UNIT: mm
APVD: L100 SIZE: A3 SHEET: 1 OF 1 REV: A

CUSTOMER COPY