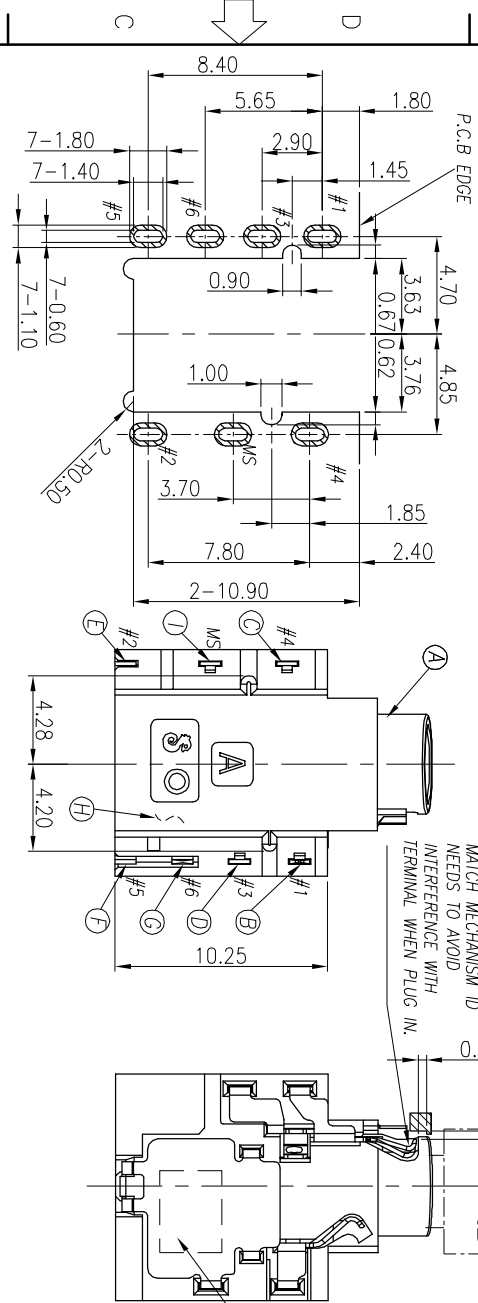


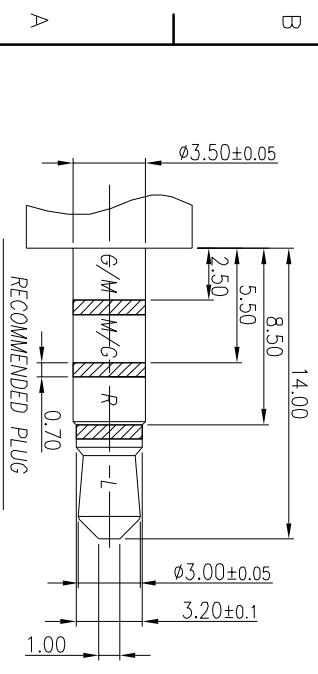
THE SURFACE OF MECHANISM ADJACENT TO PLUG SHALL BE INSULATED IF THE MECHANISM IS METAL.

RECOMMENDED LIMIT SUPPORT STRUCTURE

MATCH MECHANISM ID NEEDS TO AVOID INTERFERENCE WITH TERMINAL WHEN PLUG IN.

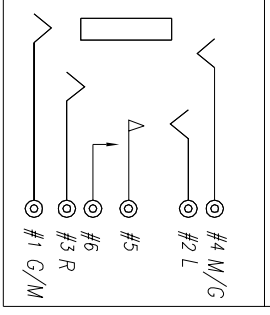


RECOMMENDED PCB LAYOUT
TOP VIEW ; TOL.±0.05



RECOMMENDED PLUG
Ø3.5 4-POLE PLUG

SCHEMATIC



- SPECIFICATIONS:
- ELECTRICAL CHARACTERISTICS:
 - RATING: 12V 1A
 - CONTACT RESISTANCE: 50mΩ MAX.(INITIAL)
 - DIELECTRIC WITHSTANDING VOLTAGE: 500V AC FOR ONE MINUTE.
 - INSULATION RESISTANCE: 100MΩ MIN. MEASURED BY 500 VDC.
 - MECHANICAL CHARACTERISTICS:
 - INSERTION FORCE: 0.3-3.0kgf;
 - WITHDRAWAL FORCE: 0.3-3.0kgf;
 - LIFE TEST: 5,000 CYCLES MIN. AFTER LIFE TEST, CONTACT RESISTANCE: 100mΩ MAX.
 - PACKAGING : TAPE & REEL.
 - AFTER HUMIDITY TEST, INSULATION RESISTANCE: 50MΩ MIN.
 - TO CONFORM TO SINGATRON HAZARDOUS SUBSTANCE FREE SPEC.
 - HALOGEN FREE PRODUCT IDENTIFICATION MARK ON JACK: ☉
 - HALOGEN FREE PRODUCT IDENTIFICATION LABEL ON PACKAGING: ☉
 - PRINTED DATE CODE "WMD" ON TOP OF CONNECTOR.

NO	DESCRIPTION	QTY	MATERIAL	PLATING & COLOR
I	SHELL	1	PHOSPHOR BRONZE 0.2t	60μm NiPd PLATING
H	SEPARATOR	1	HIGH TEMP.THERMOPLASTIC UL 94V-0	BLACK
G	MAKE TERMINAL	1	PHOSPHOR BRONZE 0.2t	1-3μm CuD BANG ON CONTACT AREA, 80μm NiPd BANG ON SEPERATOR AREA, AND 50μm NiPd UNDER PLATING
F	TRANSFER TERMINAL	1	PHOSPHOR BRONZE 0.2t	1-3μm CuD BANG ON CONTACT AREA, 80μm NiPd BANG ON SEPERATOR AREA, AND 50μm NiPd UNDER PLATING
E	TIP SPRING	1	STAINLESS STEEL 0.2t	
D	RING A	1	PHOSPHOR BRONZE 0.2t	1-3μm CuD BANG ON CONTACT AREA, 80μm NiPd BANG ON SEPERATOR AREA, AND 50μm NiPd UNDER PLATING
C	RING B	1	PHOSPHOR BRONZE 0.2t	1-3μm CuD BANG ON CONTACT AREA, 80μm NiPd BANG ON SEPERATOR AREA, AND 50μm NiPd UNDER PLATING
B	EARTH	1	PHOSPHOR BRONZE 0.2t	1-3μm CuD BANG ON CONTACT AREA, 80μm NiPd BANG ON SEPERATOR AREA, AND 50μm NiPd UNDER PLATING
A	BODY	1	HIGH TEMP.THERMOPLASTIC UL 94V-0	BLACK
NO	DESCRIPTION	QTY	MATERIAL	PLATING & COLOR

UNLESS OTHERWISE SPECIFIED TOLERANCES

DECIMALS: ANGLES:
 X :±0.5 X :±2°
 X.X :±0.3 X.X :±1°
 X.XX :±0.2

Singatron Enterprise Co., Ltd.
 信亨企業股份有限公司

3.5Ø AUDIO JACK

JIELIN PART NO. 25I3080-179111F
 Bruce SCALE 4:1 UNIT: mm
 Lioo SIZE: A3 SHEET: 1 OF 1 REV: A

CUSTOMER COPY