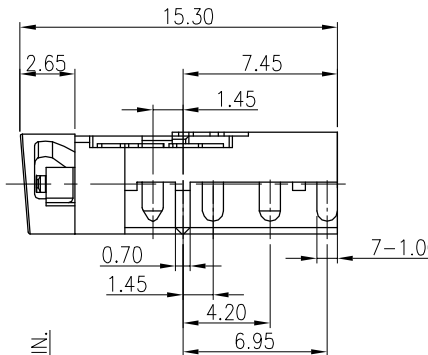
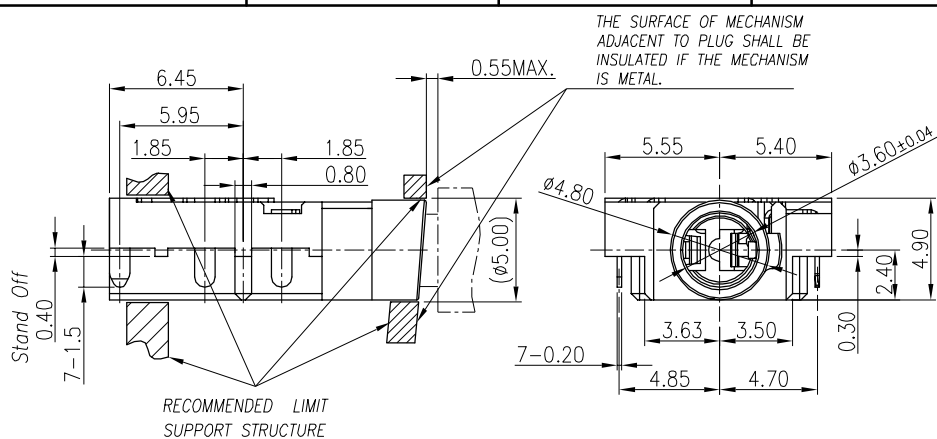
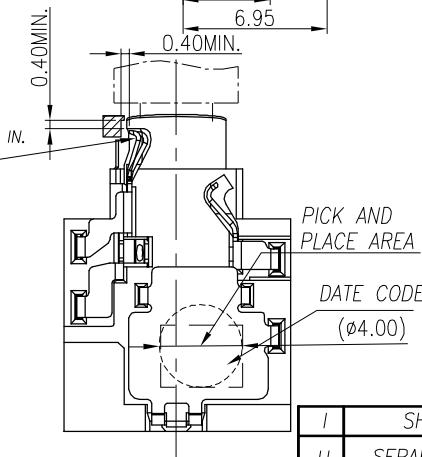
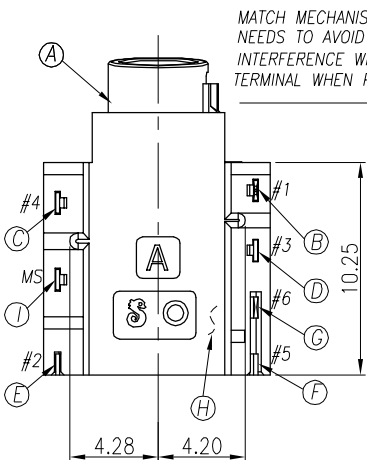
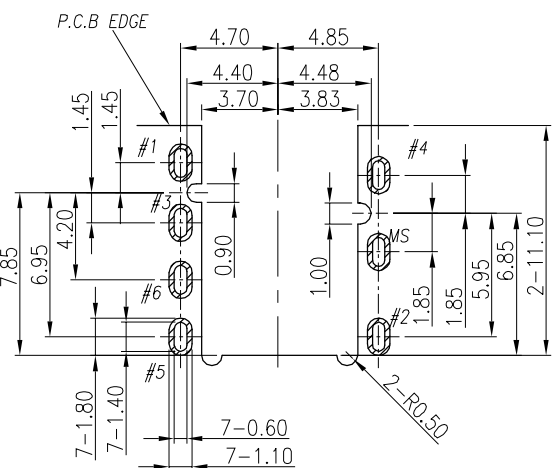


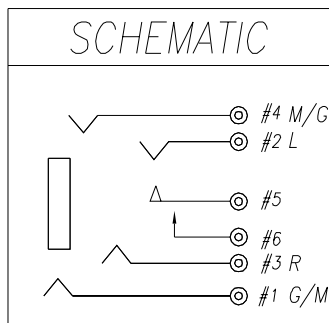
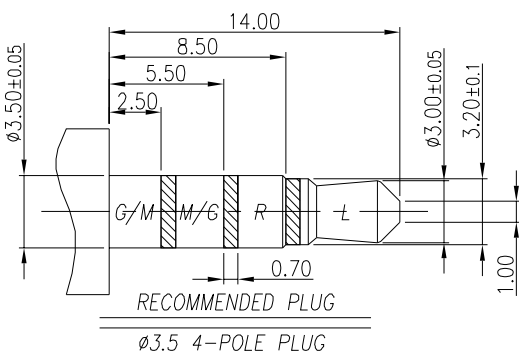
REV.	ECN NO OR DESCRIPTION	REVISED	DATE
A	PDR NO: S221209-2A	JIELIN	2023.03.27



- SPECIFICATIONS:
- ELECTRICAL CHARACTERISTICS:
    - RATING: 12V 1A
    - CONTACT RESISTANCE: 50mΩ MAX.(INITIAL)
    - DIELECTRIC WITHSTANDING VOLTAGE: 500V AC FOR ONE MINUTE.
    - INSULATION RESISTANCE: 100MΩ MIN. MEASURED BY 500 VDC.
  - MECHANICAL CHARACTERISTICS:
    - INSERTION FORCE: 0.4-2.5Kgf;
    - WITHDRAWAL FORCE: 0.4-2.0Kgf;
  - LIFE TEST: 5,000 CYCLES MIN.  
AFTER LIFE TEST, CONTACT RESISTANCE: 100mΩ MAX.
  - PACKAGING : TAPE & REEL.
  - AFTER HUMIDITY TEST, INSULATION RESISTANCE: 50MΩ MIN.
  - TO CONFORM TO SINGATRON HAZARDOUS SUBSTANCE FREE SPEC.
  - HALOGEN FREE PRODUCT IDENTIFICATION MARK ON JACK:
  - HALOGEN FREE PRODUCT IDENTIFICATION LABEL ON PACKAGING:
  - PRINTED DATE CODE "YMD=" ON TOP OF CONNECTOR.



RECOMMENDED PCB LAYOUT  
TOP VIEW ; TOL.±0.05



NO	DESCRIPTION	QTY	MATERIAL	PLATING & COLOR
I	SHELL	1	PHOSPHOR BRONZE 0.2t	60μm MIN. SOLDERABLE NICKEL PLATING
H	SEPARATOR	1	HIGH TEMP.THERMOPLASTIC UL 94V-0	BLACK
G	MAKE TERMINAL	1	PHOSPHOR BRONZE 0.2t	1-3μm GOLD PLATING ON CONTACT AREA 1-3μm GOLD PLATING ON SOLDER TAIL AREA AND 50μm NICKEL UNDER PLATING
F	TRANSFER TERMINAL	1	PHOSPHOR BRONZE 0.2t	
E	TIP SPRING	1	STAINLESS STEEL 0.2t	
D	RING A	1	PHOSPHOR BRONZE 0.2t	1-3μm GOLD PLATING ON CONTACT AREA 80μm WHITE TIN PLATING ON SOLDER TAIL AREA AND 50μm NICKEL UNDER PLATING
C	RING B	1	PHOSPHOR BRONZE 0.2t	
B	EARTH	1	PHOSPHOR BRONZE 0.2t	
A	BODY	1	HIGH TEMP.THERMOPLASTIC UL 94V-0	BLACK

UNLESS OTHERWISE SPECIFIED TOLERANCES		Singatron Enterprise Co., Ltd. 	
DECIMALS:	ANGLES:	TITLE	
X : ±0.5	X : ±2°	3.5ø Audio JACK	
X.X : ±0.3	X.X : ±1°	DWN	JIELIN PART NO. 2SJ3080-181111F
X.XX : ±0.2		CHKD	BRUCE SCALE 4:1 UNIT: mm
		APVD	LIAO SIZE: A3 SHEET: 1 OF 1 REV: A
CUSTOMER COPY			