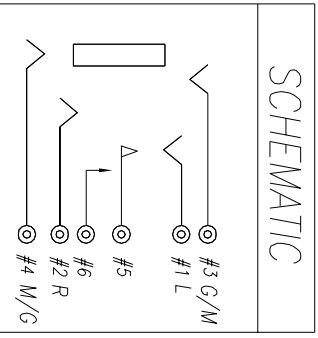
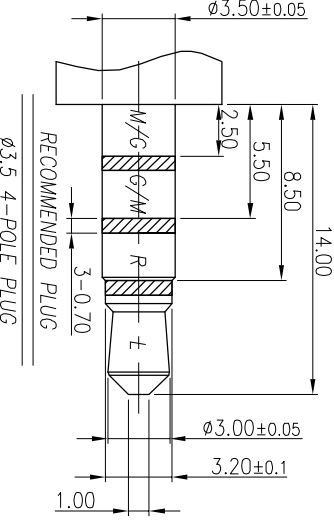


- SPECIFICATIONS:**
- 1. ELECTRICAL CHARACTERISTICS:**
- 1-1. RATING: 12V 1A
 - 1-2. CONTACT RESISTANCE: 50mΩ MAX.(INITIAL)
 - 1-3. DIELECTRIC WITHSTANDING VOLTAGE: 500V AC FOR ONE MINUTE.
 - 1-4. INSULATION RESISTANCE: 100MΩ MIN. MEASURED BY 500 VDC.
- 2. MECHANICAL CHARACTERISTICS:**
- 2-1. INSERTION FORCE: 0.4-2.0kgf;
 - 2-2. WITHDRAWAL FORCE: 0.4-2.0kgf;
- 3. LIFE TEST: 5,000 CYCLES MIN.**
AFTER LIFE TEST, CONTACT RESISTANCE: 100mΩ MAX.
- 4. PACKAGING: TAPE & REEL.**
- 5. AFTER HUMIDITY TEST, INSULATION RESISTANCE: 50MΩ MIN.**
- 6. TO CONFORM TO SINGATRON HAZARDOUS SUBSTANCE FREE SPEC.**
- 7. HALOGEN FREE PRODUCT IDENTIFICATION MARK ON JACK:**
- 8. HALOGEN FREE PRODUCT IDENTIFICATION LABEL ON PACKAGING:**
- 9. PRINTED DATE CODE "MMDD" ON TOP OF CONNECTOR.**

RECOMMENDED PCB LAYOUT
TOP VIEW ; TOL.±0.05



NO	DESCRIPTION	QTY	MATERIAL	PLATING & COLOR
J	MYLAR	1	0.06t	YELLOW
I	SHELL	1	BRASS 0.2t	80μm COB PLATING ON CONTACT AREAS AND 50μm NICKEL UNDER PLATING
H	SEPARATOR	1	HIGH TEMP.THERMOPLASTIC UL 94V-0	BLACK
G	MAKE TERMINAL	1	PHOSPHOR BRONZE 0.2t	1-3μm COB PLATING ON CONTACT AREAS AND 50μm NICKEL UNDER PLATING
F	TRANSFER TERMINAL	1	PHOSPHOR BRONZE 0.2t	1-3μm COB PLATING ON CONTACT AREAS AND 50μm NICKEL UNDER PLATING
E	TIP SPRING	1	STAINLESS STEEL 0.2t	
D	RING A	1	PHOSPHOR BRONZE 0.2t	1-3μm COB PLATING ON CONTACT AREAS AND 50μm NICKEL UNDER PLATING
C	RING B	1	PHOSPHOR BRONZE 0.2t	1-3μm COB PLATING ON CONTACT AREAS AND 50μm NICKEL UNDER PLATING
B	EARTH	1	PHOSPHOR BRONZE 0.2t	
A	BODY	1	HIGH TEMP.THERMOPLASTIC UL 94V-0	BLACK
NO	DESCRIPTION	QTY	MATERIAL	PLATING & COLOR

UNLESS OTHERWISE SPECIFIED TOLERANCES

Singatron Enterprise Co., Ltd.
信音企業股份有限公司

3.5φ AUDIO JACK

DWN Jiejin **PART NO. 2S13080-182111F**

CHKD Bruce SCALE 4:1 UNIT: mm

APVD Liao SIZE: A3 SHEET: 1 OF 1 REV: A

CUSTOMER COPY

REV	ECN NO	OR DESCRIPTION	REVISED	DATE
A	PDR NO:1230313-5A		Jiejin	2023.08.14