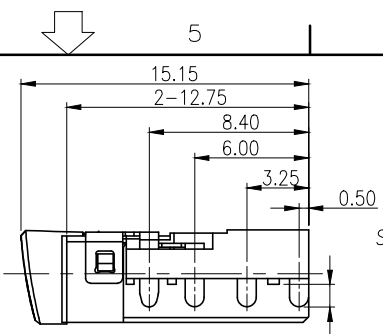
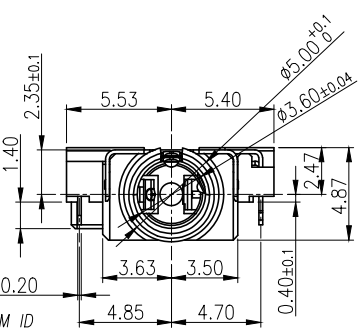
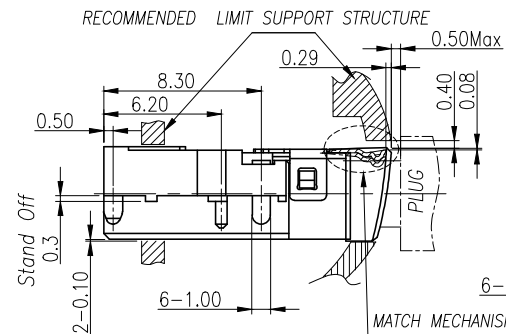
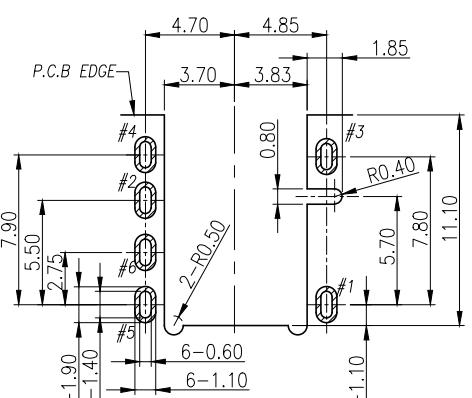


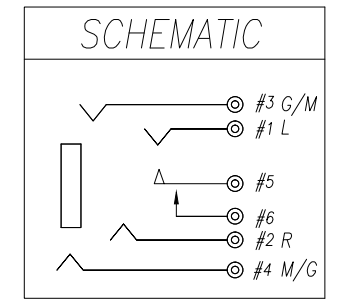
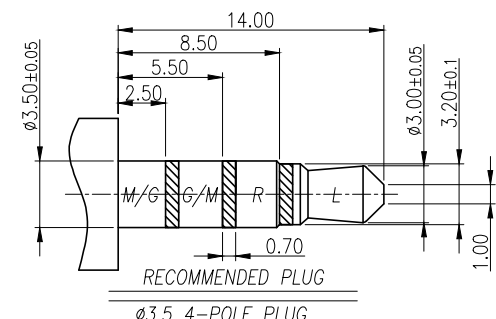
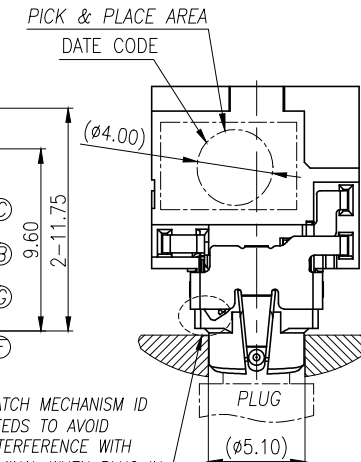
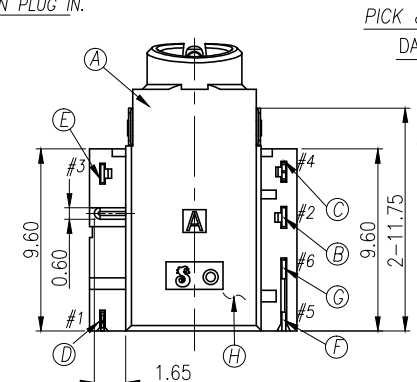
REV.	ECN NO OR DESCRIPTION	REVISED	DATE
A	PDR NO:T230421-1A	Carol	2023.11.09



- SPECIFICATIONS:
- ELECTRICAL CHARACTERISTICS:
 - RATING: 12V 1A
 - CONTACT RESISTANCE: 50mΩ MAX.(INITIAL)
 - DIELECTRIC WITHSTANDING VOLTAGE: 500V AC FOR ONE MINUTE.
 - INSULATION RESISTANCE: 100MΩ MIN. MEASURED BY 500 VDC
 - MECHANICAL CHARACTERISTICS:
 - INSERTION FORCE: 1.0-2.5Kgf.(AFTER 5 INSERTION CYCLES)
2.5Kgf MAX.(AFTER LIFE TEST)
 - WITHDRAWAL FORCE: 0.6-1.8Kgf.(AFTER 5 INSERTION CYCLES)
0.4Kgf MIN.(AFTER LIFE TEST)
 - LIFE TEST: 5,000 CYCLES MIN.
AFTER LIFE TEST, CONTACT RESISTANCE: 50mΩ MAX.
 - AFTER HUMIDITY TEST, INSULATION RESISTANCE: 50MΩ MIN.
 - TO CONFORM TO SINGATRON HAZARDOUS SUBSTANCE FREE SPEC.
 - HALOGEN PRODUCT IDENTIFICATION MARK ON JACK:
 - HALOGEN PRODUCT IDENTIFICATION LABEL ON PACKAGING:
 - FOR REFLOW SOLDERING LEAD-FREE PROCESS.
 - PRINTED DATE CODE "YMD-" ON TOP OF CONNECTOR.



RECOMMENDED PCB LAYOUT
TOP VIEW ; TOL.±0.05



H	SEPARATOR	1	HIGH TEMP.THERMOPLASTIC UL 94V-0	BLACK
G	MAKE TERMINAL	1	PHOSPHOR BRONZE 0.2t	1-30" GOLD PLATING ON CONTACT AREA; 1-30" GOLD PLATING ON SOLDER AREA; AND 50-100μ" NICKEL UNDER PLATING.
F	TRANSFER TERMINAL	1	PHOSPHOR BRONZE 0.2t	1-30" GOLD PLATING ON CONTACT AREA; Multi-TIN 80μ" PLATING ON SOLDER TALL AREA; AND 50-100μ" NICKEL UNDER PLATING.
E	RING B	1	PHOSPHOR BRONZE 0.2t	30" MIN. GOLD PLATING ON CONTACT AREA Multi-TIN 80μ" PLATING ON SOLDER TALL AREA; AND 50-100μ" NICKEL UNDER PLATING.
D	TIP SPRING	1	STAINLESS STEEL 0.2t	
C	EARTH	1	PHOSPHOR BRONZE 0.2t	30" MIN. GOLD PLATING ON CONTACT AREA 1-30" GOLD PLATING ON SOLDER AREA; AND 50-100μ" NICKEL UNDER PLATING.
B	RING A	1	PHOSPHOR BRONZE 0.2t	
A	BODY	1	PA4T UL 94V-0	BLACK
NO	DESCRIPTION	QTY	MATERIAL	PLATING & COLOR

UNLESS OTHERWISE SPECIFIED TOLERANCES		Singatron Enterprise Co., Ltd. 信音企業股份有限公司	
DECIMALS:	ANGLES:	TITLE	
X :±0.5	X :±2°	3.5ø AUDIO JACK	
X.X :±0.3	X.X :±1°	DWN	CAROL PART NO. 2SJ3080-184111F
X.XX :±0.2		CHKD	BRUCE SCALE 4:1 UNIT: mm
		APVD	LIAO SIZE: A3 SHEET:1 OF 1 REV: A
CUSTOMER COPY			