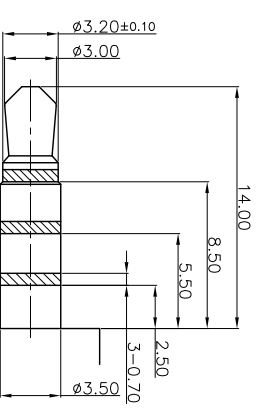
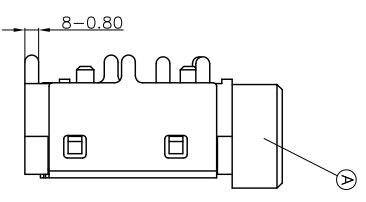
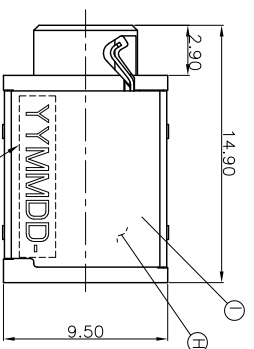
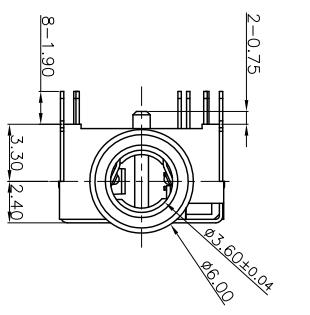
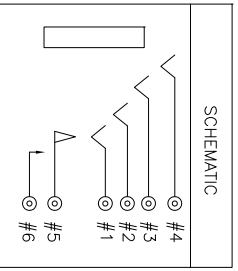


RECOMMENDED PCB LAYOUT(TOP VIEW)
(TOLERANCE: ±0.05)



- SPECIFICATIONS:
- ELECTRICAL CHARACTERISTICS:
 - RATING: 12V 1A
 - CONTACT RESISTANCE: 50mΩ MAX.(INITIAL)
 - DIELECTRIC WITHSTANDING VOLTAGE: 500V AC FOR ONE MINUTE
 - INSULATION RESISTANCE: 100MΩ MIN. MEASURED BY 500 VDC
 - MECHANICAL CHARACTERISTICS:
 - INSERTION FORCE : 0.3~3.0 KGF
 - WITHDRAWAL FORCE : 0.3~3.0 KGF
 - LIFE TEST: 5,000 CYCLES MIN.
 - OTHER GENERAL SPEC. TO REFER "2SJ3082-003111F SERIES SPEC."
 - TO CONFORM TO SINGATRON HAZARDOUS SUBSTANCE FREE SPEC.
 - HALOGEN FREE PRODUCT IDENTIFICATION MARK ON JACK:
 - HALOGEN FREE PRODUCT IDENTIFICATION LABEL ON PACKAGING:
 - FOR REFLOW SOLDERING LEAD-FREE PROCESS.

REV	ECN NO	OR DESCRIPTION	REVISED	DATE
A	PDR NO: T130910-6A		Smile	2013.09.29
B	ECN NO: S131005		Smile	2013.10.14

I	SHELL	1	COPPER ALLOY, 0.2t	NICKEL 60μ" MIN. PLATING.
H	SEPARATE	1	HIGH TEMP.THERMOPLASTIC UL 94V-0	BLACK
G	MAKE TERMINAL	1	COPPER ALLOY, 0.2t	GOLD FLASH ON CONTACT AREA, WHITE TIN 120μ" ON SOLDER TAIL, ALL OVER NICKEL 50μ" MIN. PLATING.
F	TRANSFER TERMINAL	1	COPPER ALLOY, 0.2t	GOLD FLASH ON ALL OVER NICKEL 50μ"
E	TIP SPRING	1	COPPER ALLOY, 0.25t	
D	RING-A	1	COPPER ALLOY, 0.2t	GOLD FLASH ON CONTACT AREA, WHITE TIN 120μ" ON SOLDER TAIL, ALL OVER NICKEL 50μ" MIN. PLATING.
C	RING-B	1	COPPER ALLOY, 0.2t	
B	EARTH	1	COPPER ALLOY, 0.2t	
A	BODY	1	HIGH TEMP.THERMOPLASTIC UL 94V-0	BLACK
NO	DESCRIPTION	QTY	MATERIAL	PLATING & COLOR
UNLESS OTHERWISE SPECIFIED TOLERANCES				
DECIMALS:		ANGLES:		
X	:±0.5	X	:±2°	
X.X	:±0.3	X.X	:±1°	
X.XX	:±0.2			
Singatron Enterprise Co., Ltd. 信譽企業股份有限公司 Ø3.50 AUDIO JACK DWG Smile PART NO. 2SJ3082-022112F CHKD Bruce SCALE:4:1 UNIT: mm APVD Lussen SIZE: A3 SHEET: 1 OF 1 REV: B CUSTOMER COPY				